



INDICATIVE PRODUCT IMAGE

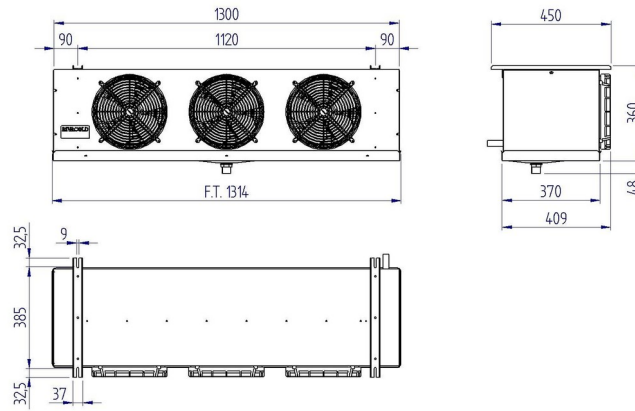
### Product file

Code	RCS3250406ED
Range	RCS
Model	Cubic
Application	MBP
PED	0
Rows number	4
Total surface	14.3 m <sup>2</sup>
Defrosting (Watt)	1950 W
Net weight	29.8 kg
Inlet connection	12 mm-1/2" sae
Outlet connection	22 mm
Drain connection	1" Gas (33mm)
Fin spacing	6
Circuit volume	4.61 dm <sup>3</sup>

### Fan-motor

Type	Shielded poles
Fan-motors no.	3
Diameter	254 mm
Power supply	230/1/50-60
High speed	1300 rpm
Power consumption	240 W
Current consumption	1.05 A
Air flow	2752 m <sup>3</sup> /h
Air throw	13 m

## Technical data - RCS3250406ED



**Refrigerating capacity table (W) - RCS3250406ED**

**High speed - RCS3250406ED**

$\Delta T \setminus$ Cold room Temp	-20 °C	-15 °C	-10 °C	-5 °C	0 °C	2 °C	4 °C	6 °C	8 °C	10 °C	12 °C	15 °C
5 K	1511 <sup>(1)</sup>	1549	1615	1710	1815	1824	1843	1862	1910	1957	2005	2076
6 K	1919 <sup>(1)</sup>	1976	2052	2157	2280	2299	2318	2337	2356	2404	2451	2522
7 K	2318 <sup>(1)</sup>	2413	2480	2603	2736	2746	2765	2784	2803	2850	2898	2969
8 K	2708 <sup>(1)</sup>	2831	2917	3059	3221	3240	3259	3278	3306	3354	3411	3496
9 K	3078 <sup>(1)</sup>	3240	3344	3506	3696	3715	3724	3753	3800	3848	3914	4014
10 K	3439 <sup>(1)</sup>	3629	3810	3943	4209	4237	4266	4294	4304	4351	4465	4636

(1) Application outside the recommended range

**Values referred to :**  
Gas R449A Mid



INDICATIVE PRODUCT IMAGE

#### General features

- RCS range unit coolers have been designed to be installed inside cold rooms suited for fresh and frozen goods storage
- Their shape, being extremely compact, make their installation possible also in cold rooms having very small dimensions
- RCS range is available in different combinations of fin spacing dimensions and tube rows properly sized according to the needed applications.
- The ED version is supplied with mounted defrosting heaters and is suitable for being used at low temperature applications.
- The fan motors operate in the suction mode and prevent the condensate forming on the fan
- The coil is made of aluminium fins, 12 mm copper tube and a geometry of 37,5 x 32,5
- RCS unit coolers can be classified in three groups according to the needed cold room temperature (Tc): 4mm fin spacing for a Tc from -5°C to +15°C; 6mm fin spacing for a Tc from -20°C to +15°C; 8mm fin spacing for a Tc from -40°C to +4°C
- Each fin spacing group is also available with 4 and 6 rows.
- The coils are tested with nitrogen at a pressure of 25 bar.
- The fan motor models in use have the following features:
  - Manufactured following EN 60335-1 laws, with internal thermal protection
  - Fan diameter 250mm
  - Power supply 230-240V/1/50-60Hz
  - IP44 protection rate
  - F insulation class
  - Operating temperature from -40°C to +40°C
  - Electrics made in conformity with 2006/95/CE Low Tension directive
- The housing is made of aluminium
- The manufacturing solutions used give the housing strength and guarantee the absence of vibrations during the functioning.
- Screws, washers and nuts are made of stainless steel