



INDICATIVE PRODUCT IMAGE

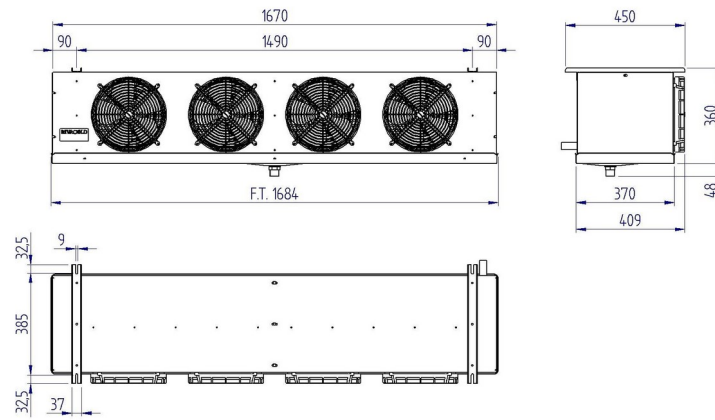
Product file

Code	RCS4250406ED
Range	RCS
Model	Cubic
Application	MBP
PED	0
Rows number	4
Total surface	19 m ²
Defrosting (Watt)	2700 W
Net weight	40.6 kg
Inlet connection	16 mm-5/8" sae
Outlet connection	28 mm
Drain connection	1" Gas (33mm)
Fin spacing	6
Circuit volume	6.05 dm ³

Fan-motor

Type	Shielded poles
Fan-motors no.	4
Diameter	254 mm
Power supply	230/1/50-60
High speed	1300 rpm
Power consumption	320 W
Current consumption	1.4 A
Air flow	3582 m ³ /h
Air throw	15 m

Technical data - RCS4250406ED



Refrigerating capacity table (W) - RCS4250406ED

High speed - RCS4250406ED

$\Delta T \setminus$ Cold room Temp	-20 °C	-15 °C	-10 °C	-5 °C	0 °C	2 °C	4 °C	6 °C	8 °C	10 °C	12 °C	15 °C
5 K	2310 ⁽¹⁾	2398	2497	2629	2805	2816	2838	2871	2937	3014	3091	3207
6 K	2970 ⁽¹⁾	3047	3168	3322	3520	3542	3575	3608	3641	3707	3784	3900
7 K	3597 ⁽¹⁾	3740	3839	4015	4224	4246	4268	4290	4323	4400	4477	4593
8 K	4202 ⁽¹⁾	4389	4510	4730	4983	5016	5049	5093	5137	5181	5269	5401
9 K	4785 ⁽¹⁾	5016	5181	5423	5709	5742	5753	5797	5874	5951	6050	6199
10 K	5335 ⁽¹⁾	5621	5896	6105	6424	6468	6501	6545	6556	6633	6798	7046

(1) Application outside the recommended range

Values referred to :
Gas R452A



INDICATIVE PRODUCT IMAGE

General features

- RCS range unit coolers have been designed to be installed inside cold rooms suited for fresh and frozen goods storage
- Their shape, being extremely compact, make their installation possible also in cold rooms having very small dimensions
- RCS range is available in different combinations of fin spacing dimensions and tube rows properly sized according to the needed applications.
- The ED version is supplied with mounted defrosting heaters and is suitable for being used at low temperature applications.
- The fan motors operate in the suction mode and prevent the condensate forming on the fan
- The coil is made of aluminium fins, 12 mm copper tube and a geometry of 37,5 x 32,5
- RCS unit coolers can be classified in three groups according to the needed cold room temperature (Tc): 4mm fin spacing for a Tc from -5°C to +15°C; 6mm fin spacing for a Tc from -20°C to +15°C; 8mm fin spacing for a Tc from -40°C to +4°C
- Each fin spacing group is also available with 4 and 6 rows.
- The coils are tested with nitrogen at a pressure of 25 bar.
- The fan motor models in use have the following features:
 - Manufactured following EN 60335-1 laws, with internal thermal protection
 - Fan diameter 250mm
 - Power supply 230-240V/1/50-60Hz
 - IP44 protection rate
 - F insulation class
 - Operating temperature from -40°C to +40°C
 - Electrics made in conformity with 2006/95/CE Low Tension directive
- The housing is made of aluminium
- The manufacturing solutions used give the housing strength and guarantee the absence of vibrations during the functioning.
- Screws, washers and nuts are made of stainless steel