



INDICATIVE PRODUCT IMAGE

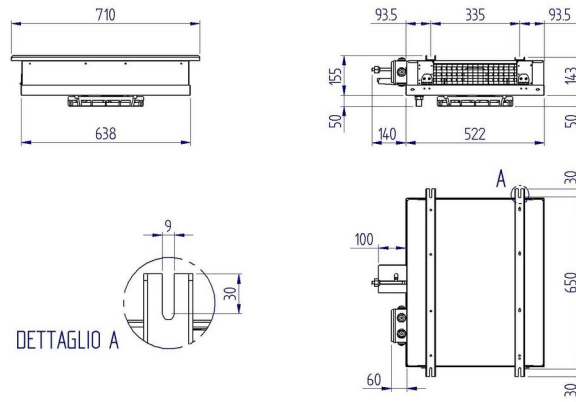
Product file

| | |
|-------------------|-------------------------------|
| Code | RDF1250ED |
| Range | RDF |
| Model | Ceiling unit c. dual air flow |
| Application | MBP |
| PED | 0 |
| Rows number | 4 |
| Total surface | 3.55 m ² |
| Defrosting (Watt) | 800 W |
| Net weight | 12.1 kg |
| Inlet connection | 10 mm - 1/2" sae |
| Outlet connection | 12 mm |
| Drain connection | 1/2" Gas (20mm) |
| Fin spacing | 4,5 / 9 |
| Circuit volume | 1.1 dm ³ |

Fan-motor

| | |
|---------------------|-----------------------|
| Type | Shielded poles |
| Fan-motors no. | 1 |
| Diameter | 254 mm |
| Power supply | 220-240/1/50-60 |
| High speed | 1300 rpm |
| Power consumption | 60 W |
| Current consumption | 0.5 A |
| Air flow | 483 m ³ /h |
| Air throw | 2X3 m |

Technical data - RDF1250ED



Refrigerating capacity table (W) - RDF1250ED

High speed - RDF1250ED

| $\Delta T \setminus$ Cold room Temp | -40 °C | -35 °C | -30 °C | -25 °C | -20 °C | -15 °C | -10 °C | -5 °C | 0 °C | 2 °C | 4 °C | 6 °C | 8 °C | 10 °C | 12 °C | 15 °C |
|--|--------------------|--------------------|--------|--------|--------|--------|--------|-------|------|------|------|------|------|-------|-------|-------|
| 5 K | 355 ⁽¹⁾ | 369 ⁽¹⁾ | 383 | 396 | 402 | 418 | 438 | 466 | 504 | 513 | 523 | 532 | 542 | 561 | 580 | 608 |
| 6 K | 435 ⁽¹⁾ | 463 ⁽¹⁾ | 479 | 496 | 513 | 523 | 546 | 578 | 618 | 627 | 637 | 646 | 658 | 677 | 697 | 728 |
| 7 K | 509 ⁽¹⁾ | 547 ⁽¹⁾ | 578 | 595 | 617 | 628 | 655 | 689 | 732 | 741 | 751 | 760 | 772 | 791 | 811 | 842 |
| 8 K | 578 ⁽¹⁾ | 627 ⁽¹⁾ | 669 | 691 | 719 | 734 | 765 | 804 | 857 | 865 | 874 | 884 | 893 | 919 | 942 | 979 |
| 9 K | 640 ⁽¹⁾ | 698 ⁽¹⁾ | 752 | 783 | 817 | 851 | 872 | 918 | 979 | 988 | 998 | 1007 | 1026 | 1045 | 1074 | 1116 |
| 10 K | 697 ⁽¹⁾ | 765 ⁽¹⁾ | 829 | 884 | 913 | 950 | 979 | 1026 | 1093 | 1102 | 1112 | 1131 | 1140 | 1159 | 1188 | 1230 |

(1) Application outside the recommended range

Values referred to :

Gas R449A Mid



INDICATIVE PRODUCT IMAGE

General features

- RDF range unit coolers have been designed to be installed inside cold rooms suited for fresh and frozen goods storage
- The main feature of this range is of throwing air from both sides; this allow the unit cooler to be placed in the middle of the cold room ceiling giving a uniform air flow and, as a result, the best product conservation
- RDF range is available in two different fan diameters and three types of fin spacing according to the needed application
- The ED version is supplied with mounted defrosting heaters and is suitable for being used at low temperature applications
- The range consists of two types of coils , both made of aluminium fins and copper tube: 3/8" tube size with a geometry of 25 x 21,65, for models with 250 mm fan diameter
- The model types having 250 mm fan diameter are fitted with a coil of 4,5 mm / 9 mm fin spacing, suited for applications with a cold room temperature (Tc) from -30°C to +10°C
- The coils are tested with nitrogen at a pressure of 25 bar.
- The fan motor models in use have the following features:
- Manufactured following EN 60335-1 laws, with internal thermal protection
- Fan diameter 250mm
- Power supply 230-240V/1/50-60Hz
- IP42 protection rate
- Operating temperature from -40°C to +40°C
- B insulation class
- Electrics made in conformity with 2006/95/CE Low Tension directive
- The housing is made of aluminium
- The manufacturing solutions used give the housing strength and guarantee the absence of vibrations during the functioning.
- Screws, washers and nuts are made of stainless steel