



INDICATIVE PRODUCT IMAGE

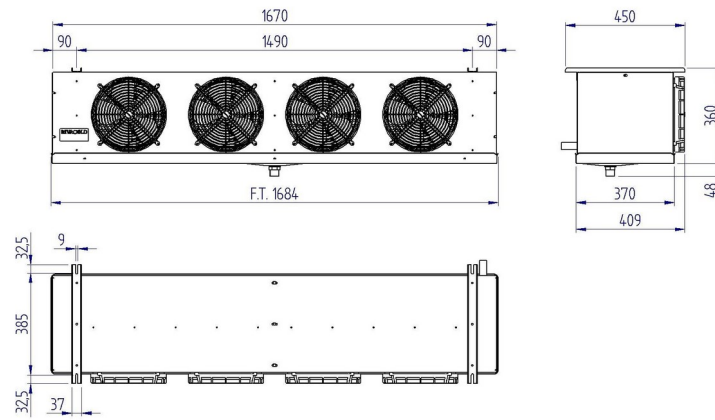
### Product file

Code	RCS4250606ED
Range	RCS
Model	Cubic
Application	MBP
PED	0
Rows number	6
Total surface	28.5 m <sup>2</sup>
Defrosting (Watt)	2700 W
Net weight	43 kg
Inlet connection	16 mm-5/8" sae
Outlet connection	28 mm
Drain connection	1" Gas (33mm)
Fin spacing	6
Circuit volume	9.1 dm <sup>3</sup>

### Fan-motor

Type	Shielded poles
Fan-motors no.	4
Diameter	254 mm
Power supply	230/1/50-60
High speed	1300 rpm
Power consumption	320 W
Current consumption	1.4 A
Air flow	3149 m <sup>3</sup> /h
Air throw	14 m

## Technical data - RCS4250606ED



**Refrigerating capacity table (W) - RCS4250606ED**

**High speed - RCS4250606ED**

$\Delta T \setminus$ Cold room Temp	-20 °C	-15 °C	-10 °C	-5 °C	0 °C	2 °C	4 °C	6 °C	8 °C	10 °C	12 °C	15 °C
5 K	2882 <sup>(1)</sup>	3058	3234	3454	3740	3784	3839	3894	4015	4136	4268	4466
6 K	3597 <sup>(1)</sup>	3751	3971	4235	4554	4576	4598	4653	4829	4961	5093	5291
7 K	4202 <sup>(1)</sup>	4422	4697	4994	5346	5379	5423	5522	5632	5764	5896	6094
8 K	4785 <sup>(1)</sup>	5060	5401	5753	6160	6226	6281	6347	6446	6655	6809	7040
9 K	5324 <sup>(1)</sup>	5742	6072	6479	6941	7040	7117	7205	7282	7513	7678	7926
10 K	5797 <sup>(1)</sup>	6314	6699	7172	7689	7810	7920	8019	8118	8272	8525	8905

(1) Application outside the recommended range

**Values referred to :**  
Gas R452A



INDICATIVE PRODUCT IMAGE

### General features

- RCS range unit coolers have been designed to be installed inside cold rooms suited for fresh and frozen goods storage
- Their shape, being extremely compact, make their installation possible also in cold rooms having very small dimensions
- RCS range is available in different combinations of fin spacing dimensions and tube rows properly sized according to the needed applications.
- The ED version is supplied with mounted defrosting heaters and is suitable for being used at low temperature applications.
- The fan motors operate in the suction mode and prevent the condensate forming on the fan
- The coil is made of aluminium fins, 12 mm copper tube and a geometry of 37,5 x 32,5
- RCS unit coolers can be classified in three groups according to the needed cold room temperature (Tc): 4mm fin spacing for a Tc from -5°C to +15°C; 6mm fin spacing for a Tc from -20°C to +15°C; 8mm fin spacing for a Tc from -40°C to +4°C
- Each fin spacing group is also available with 4 and 6 rows.
- The coils are tested with nitrogen at a pressure of 25 bar.
- The fan motor models in use have the following features:
  - Manufactured following EN 60335-1 laws, with internal thermal protection
  - Fan diameter 250mm
  - Power supply 230-240V/1/50-60Hz
  - IP44 protection rate
  - F insulation class
  - Operating temperature from -40°C to +40°C
  - Electrics made in conformity with 2006/95/CE Low Tension directive
- The housing is made of aluminium
- The manufacturing solutions used give the housing strength and guarantee the absence of vibrations during the functioning.
- Screws, washers and nuts are made of stainless steel