



INDICATIVE PRODUCT IMAGE

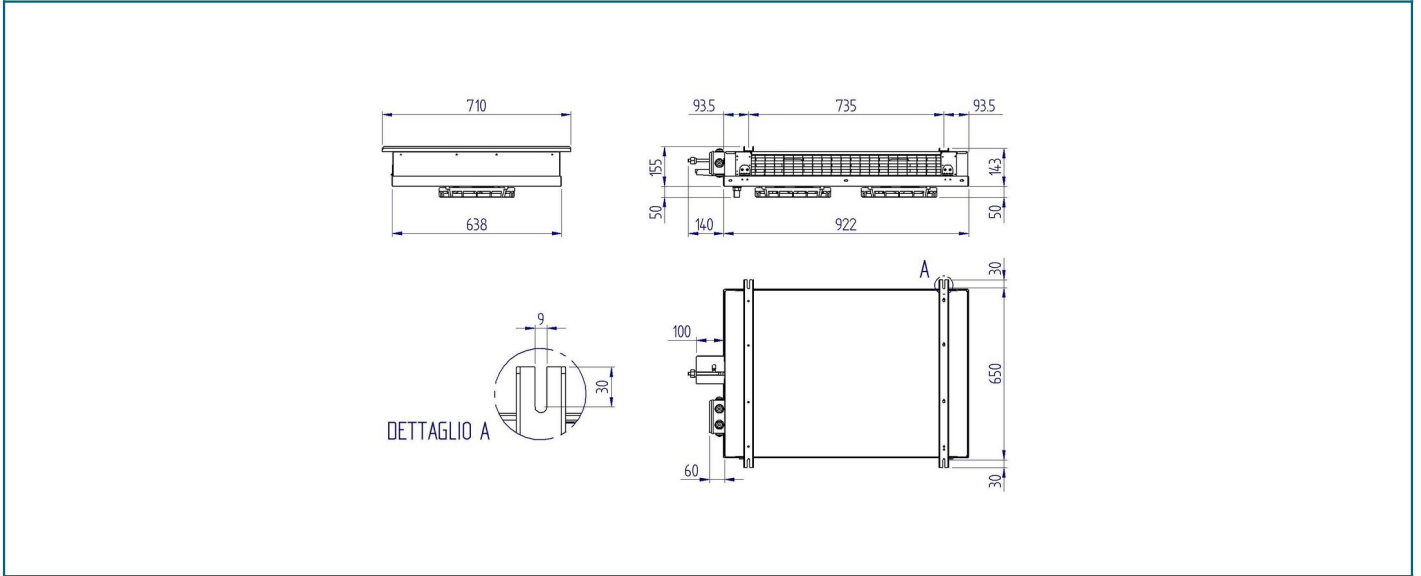
Product file

Code	RDF2250ED
Range	RDF
Model	Ceiling unit c. dual air flow
Application	MBP
PED	0
Rows number	4
Total surface	8.07 m ²
Defrosting (Watt)	1650 W
Net weight	19.2 kg
Inlet connection	10 mm - 1/2" sae
Outlet connection	12 mm
Drain connection	1/2" Gas (20mm)
Fin spacing	4,5 / 9
Circuit volume	2.42 dm ³

Fan-motor

Type	Shielded poles
Fan-motors no.	2
Diameter	254 mm
Power supply	220-240/1/50-60
High speed	1300 rpm
Power consumption	120 W
Current consumption	1 A
Air flow	1052 m ³ /h
Air throw	2X4 m

Technical data - RDF2250ED



Refrigerating capacity table (W) - RDF2250ED

High speed - RDF2250ED

$\Delta T \setminus$ Cold room Temp	-40 °C	-35 °C	-30 °C	-25 °C	-20 °C	-15 °C	-10 °C	-5 °C	0 °C	2 °C	4 °C	6 °C	8 °C	10 °C	12 °C	15 °C
5 K	511 ⁽¹⁾	599 ⁽¹⁾	685	767	831	890	969	1055	1159	1178	1197	1245	1302	1349	1406	1492
6 K	575 ⁽¹⁾	683 ⁽¹⁾	792	897	988	1055	1150	1254	1378	1397	1425	1454	1520	1577	1634	1720
7 K	628 ⁽¹⁾	751 ⁽¹⁾	882	1007	1131	1226	1321	1454	1596	1625	1653	1691	1758	1815	1872	1957
8 K	674 ⁽¹⁾	808 ⁽¹⁾	960	1112	1254	1378	1501	1644	1805	1843	1881	1919	1967	2043	2119	2233
9 K	713 ⁽¹⁾	855 ⁽¹⁾	1026	1197	1359	1520	1663	1815	1995	2043	2090	2138	2185	2271	2337	2437
10 K	747 ⁽¹⁾	895 ⁽¹⁾	1074	1273	1454	1644	1796	1976	2166	2233	2280	2337	2385	2470	2556	2684

(1) Application outside the recommended range

Values referred to :

Gas R449A Mid



INDICATIVE PRODUCT IMAGE

General features

- RDF range unit coolers have been designed to be installed inside cold rooms suited for fresh and frozen goods storage
- The main feature of this range is of throwing air from both sides; this allow the unit cooler to be placed in the middle of the cold room ceiling giving a uniform air flow and, as a result, the best product conservation
- RDF range is available in two different fan diameters and three types of fin spacing according to the needed application
- The ED version is supplied with mounted defrosting heaters and is suitable for being used at low temperature applications
- The range consists of two types of coils , both made of aluminium fins and copper tube: 3/8" tube size with a geometry of 25 x 21,65, for models with 250 mm fan diameter
- The model types having 250 mm fan diameter are fitted with a coil of 4,5 mm / 9 mm fin spacing, suited for applications with a cold room temperature (Tc) from -30°C to +10°C
- The coils are tested with nitrogen at a pressure of 25 bar.
- The fan motor models in use have the following features:
- Manufactured following EN 60335-1 laws, with internal thermal protection
- Fan diameter 250mm
- Power supply 230-240V/1/50-60Hz
- IP42 protection rate
- Operating temperature from -40°C to +40°C
- B insulation class
- Electrics made in conformity with 2006/95/CE Low Tension directive
- The housing is made of aluminium
- The manufacturing solutions used give the housing strength and guarantee the absence of vibrations during the functioning.
- Screws, washers and nuts are made of stainless steel