



INDICATIVE PRODUCT IMAGE

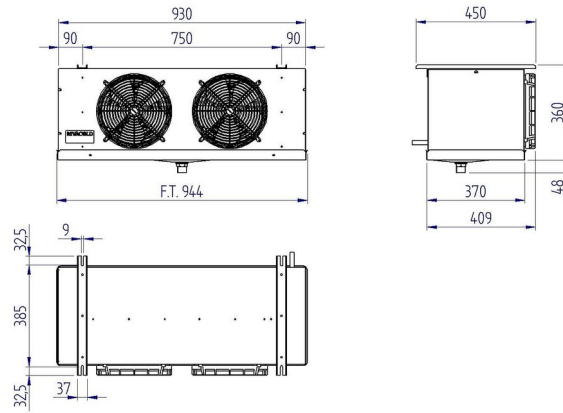
### Product file

Code	RCS2250406ED
Range	RCS
Model	Cubic
Application	MBP
PED	0
Rows number	4
Total surface	9.6 m <sup>2</sup>
Defrosting (Watt)	1350 W
Net weight	22 kg
Inlet connection	12 mm-1/2" sae
Outlet connection	16 mm
Drain connection	1" Gas (33mm)
Fin spacing	6
Circuit volume	3.16 dm <sup>3</sup>

### Fan-motor

Type	Shielded poles
Fan-motors no.	2
Diameter	254 mm
Power supply	230/1/50-60
High speed	1300 rpm
Power consumption	160 W
Current consumption	0.7 A
Air flow	1835 m <sup>3</sup> /h
Air throw	10 m

## Technical data - RCS2250406ED



**Refrigerating capacity table (W) - RCS2250406ED**

**High speed - RCS2250406ED**

$\Delta T \setminus$ Cold room Temp	-20 °C	-15 °C	-10 °C	-5 °C	0 °C	2 °C	4 °C	6 °C	8 °C	10 °C	12 °C	15 °C
5 K	1166 <sup>(1)</sup>	1199	1254	1320	1408	1419	1430	1441	1474	1507	1551	1617
6 K	1474 <sup>(1)</sup>	1518	1584	1661	1760	1771	1782	1804	1826	1859	1892	1942
7 K	1782 <sup>(1)</sup>	1859	1914	2002	2112	2123	2134	2145	2167	2200	2244	2310
8 K	2068 <sup>(1)</sup>	2178	2244	2354	2486	2497	2519	2541	2563	2596	2640	2706
9 K	2354 <sup>(1)</sup>	2486	2607	2739	2882	2904	2926	2948	2981	3014	3058	3124
10 K	2618 <sup>(1)</sup>	2772	2926	3069	3245	3267	3289	3311	3333	3355	3443	3575

(1) Application outside the recommended range

**Values referred to :**  
Gas R452A



INDICATIVE PRODUCT IMAGE

#### General features

- RCS range unit coolers have been designed to be installed inside cold rooms suited for fresh and frozen goods storage
- Their shape, being extremely compact, make their installation possible also in cold rooms having very small dimensions
- RCS range is available in different combinations of fin spacing dimensions and tube rows properly sized according to the needed applications.
- The ED version is supplied with mounted defrosting heaters and is suitable for being used at low temperature applications.
- The fan motors operate in the suction mode and prevent the condensate forming on the fan
- The coil is made of aluminium fins, 12 mm copper tube and a geometry of 37,5 x 32,5
- RCS unit coolers can be classified in three groups according to the needed cold room temperature (Tc): 4mm fin spacing for a Tc from -5°C to +15°C; 6mm fin spacing for a Tc from -20°C to +15°C; 8mm fin spacing for a Tc from -40°C to +4°C
- Each fin spacing group is also available with 4 and 6 rows.
- The coils are tested with nitrogen at a pressure of 25 bar.
- The fan motor models in use have the following features:
  - Manufactured following EN 60335-1 laws, with internal thermal protection
  - Fan diameter 250mm
  - Power supply 230-240V/1/50-60Hz
  - IP44 protection rate
  - F insulation class
  - Operating temperature from -40°C to +40°C
  - Electrics made in conformity with 2006/95/CE Low Tension directive
- The housing is made of aluminium
- The manufacturing solutions used give the housing strength and guarantee the absence of vibrations during the functioning.
- Screws, washers and nuts are made of stainless steel