



INDICATIVE PRODUCT IMAGE

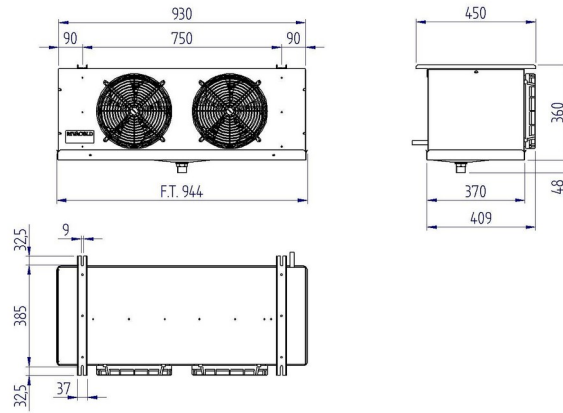
Product file

Code	RCS2250406ED
Range	RCS
Model	Cubic
Application	MBP
PED	0
Rows number	4
Total surface	9.6 m ²
Defrosting (Watt)	1350 W
Net weight	22 kg
Inlet connection	12 mm-1/2" sae
Outlet connection	16 mm
Drain connection	1" Gas (33mm)
Fin spacing	6
Circuit volume	3.16 dm ³

Fan-motor

Type	Shielded poles
Fan-motors no.	2
Diameter	254 mm
Power supply	230/1/50-60
High speed	1300 rpm
Power consumption	160 W
Current consumption	0.7 A
Air flow	1835 m ³ /h
Air throw	10 m

Technical data - RCS2250406ED



Refrigerating capacity table (W) - RCS2250406ED

High speed - RCS2250406ED

$\Delta T \setminus$ Cold room Temp	-20 °C	-15 °C	-10 °C	-5 °C	0 °C	2 °C	4 °C	6 °C	8 °C	10 °C	12 °C	15 °C
5 K	1007 ⁽¹⁾	1036	1083	1140	1216	1226	1235	1245	1273	1302	1340	1397
6 K	1273 ⁽¹⁾	1311	1368	1435	1520	1530	1539	1558	1577	1606	1634	1677
7 K	1539 ⁽¹⁾	1606	1653	1729	1824	1834	1843	1853	1872	1900	1938	1995
8 K	1786 ⁽¹⁾	1881	1938	2033	2147	2157	2176	2195	2214	2242	2280	2337
9 K	2033 ⁽¹⁾	2147	2252	2366	2489	2508	2527	2546	2575	2603	2641	2698
10 K	2261 ⁽¹⁾	2394	2527	2651	2803	2822	2841	2860	2879	2898	2974	3088

(1) Application outside the recommended range

Values referred to :
Gas R449A Mid



INDICATIVE PRODUCT IMAGE

General features

- RCS range unit coolers have been designed to be installed inside cold rooms suited for fresh and frozen goods storage
- Their shape, being extremely compact, make their installation possible also in cold rooms having very small dimensions
- RCS range is available in different combinations of fin spacing dimensions and tube rows properly sized according to the needed applications.
- The ED version is supplied with mounted defrosting heaters and is suitable for being used at low temperature applications.
- The fan motors operate in the suction mode and prevent the condensate forming on the fan
- The coil is made of aluminium fins, 12 mm copper tube and a geometry of 37,5 x 32,5
- RCS unit coolers can be classified in three groups according to the needed cold room temperature (Tc): 4mm fin spacing for a Tc from -5°C to +15°C; 6mm fin spacing for a Tc from -20°C to +15°C; 8mm fin spacing for a Tc from -40°C to +4°C
- Each fin spacing group is also available with 4 and 6 rows.
- The coils are tested with nitrogen at a pressure of 25 bar.
- The fan motor models in use have the following features:
 - Manufactured following EN 60335-1 laws, with internal thermal protection
 - Fan diameter 250mm
 - Power supply 230-240V/1/50-60Hz
 - IP44 protection rate
 - F insulation class
 - Operating temperature from -40°C to +40°C
 - Electrics made in conformity with 2006/95/CE Low Tension directive
- The housing is made of aluminium
- The manufacturing solutions used give the housing strength and guarantee the absence of vibrations during the functioning.
- Screws, washers and nuts are made of stainless steel