



INDICATIVE PRODUCT IMAGE

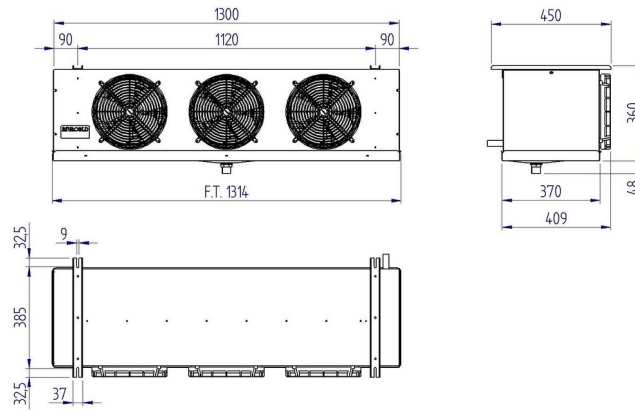
Product file

Code	RCS3250408ED
Range	RCS
Model	Cubic
Application	LBP
PED	0
Rows number	4
Total surface	11.1 m ²
Defrosting (Watt)	1950 W
Net weight	28.9 kg
Inlet connection	12 mm-1/2" sae
Outlet connection	22 mm
Drain connection	1" Gas (33mm)
Fin spacing	8
Circuit volume	4.61 dm ³

Fan-motor

Type	Shielded poles
Fan-motors no.	3
Diameter	254 mm
Power supply	230/1/50-60
High speed	1300 rpm
Power consumption	240 W
Current consumption	1.05 A
Air flow	2947 m ³ /h
Air throw	14 m

Technical data - RCS3250408ED



Refrigerating capacity table (W) - RCS3250408ED

High speed - RCS3250408ED

$\Delta T \setminus$ Cold room Temp	-40 °C	-35 °C	-30 °C	-25 °C	-20 °C	-15 °C	-10 °C	-5 °C	0 °C	2 °C	4 °C
5 K	1298	1375	1452	1496	1551	1606	1672	1760	1870	1881	1892
6 K	1617	1716	1815	1903	1969	2035	2112	2211	2343	2354	2376
7 K	1892	2035	2178	2288	2376	2464	2563	2673	2805	2816	2827
8 K	2167	2343	2519	2662	2783	2893	3014	3146	3300	3311	3333
9 K	2365	2607	2849	3025	3179	3322	3454	3608	3784	3806	3828
10 K	2552	2849	3146	3355	3553	3729	3894	4059	4257	4290	4301

Values referred to :
Gas R452A



INDICATIVE PRODUCT IMAGE

General features

- RCS range unit coolers have been designed to be installed inside cold rooms suited for fresh and frozen goods storage
- Their shape, being extremely compact, make their installation possible also in cold rooms having very small dimensions
- RCS range is available in different combinations of fin spacing dimensions and tube rows properly sized according to the needed applications.
- The ED version is supplied with mounted defrosting heaters and is suitable for being used at low temperature applications.
- The fan motors operate in the suction mode and prevent the condensate forming on the fan
- The coil is made of aluminium fins, 12 mm copper tube and a geometry of 37,5 x 32,5
- RCS unit coolers can be classified in three groups according to the needed cold room temperature (Tc): 4mm fin spacing for a Tc from -5°C to +15°C; 6mm fin spacing for a Tc from -20°C to +15°C; 8mm fin spacing for a Tc from -40°C to +4°C
- Each fin spacing group is also available with 4 and 6 rows.
- The coils are tested with nitrogen at a pressure of 25 bar.
- The fan motor models in use have the following features:
 - Manufactured following EN 60335-1 laws, with internal thermal protection
 - Fan diameter 250mm
 - Power supply 230-240V/1/50-60Hz
 - IP44 protection rate
 - F insulation class
 - Operating temperature from -40°C to +40°C
 - Electrics made in conformity with 2006/95/CE Low Tension directive
- The housing is made of aluminium
- The manufacturing solutions used give the housing strength and guarantee the absence of vibrations during the functioning.
- Screws, washers and nuts are made of stainless steel