



INDICATIVE PRODUCT IMAGE

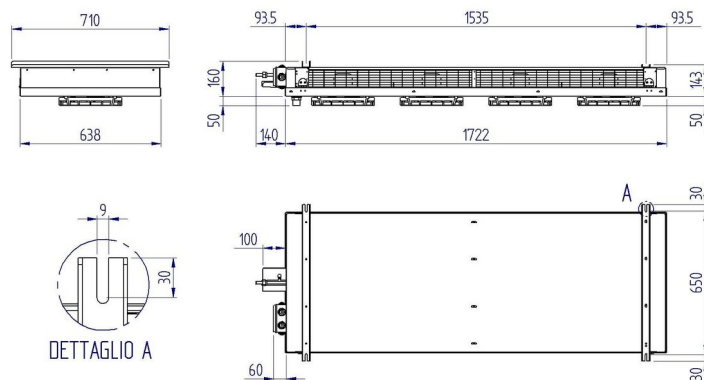
Product file

| | |
|-------------------|-------------------------------|
| Code | RDF4250ED |
| Range | RDF |
| Model | Ceiling unit c. dual air flow |
| Application | MBP |
| PED | 0 |
| Rows number | 4 |
| Total surface | 17.1 m ² |
| Defrosting (Watt) | 3150 W |
| Net weight | 36.5 kg |
| Inlet connection | 12 mm - 1/2" sae |
| Outlet connection | 22 mm |
| Drain connection | 1" Gas (33mm) |
| Fin spacing | 4,5 / 9 |
| Circuit volume | 5.04 dm ³ |

Fan-motor

| | |
|---------------------|--------------------------|
| Type | Shielded poles |
| Fan-motors no. | 4 |
| Diameter | 254 mm |
| Power supply | 220-240/1/50-60 |
| High speed | 1300 rpm |
| Power consumption | 240 W |
| Current consumption | 2 A |
| Air flow | 2161.5 m ³ /h |
| Air throw | 2X10 m |

Technical data - RDF4250ED



Refrigerating capacity table (W) - RDF4250ED

High speed - RDF4250ED

| $\Delta T \setminus$ Cold room Temp | -40 °C | -35 °C | -30 °C | -25 °C | -20 °C | -15 °C | -10 °C | -5 °C | 0 °C | 2 °C | 4 °C | 6 °C | 8 °C | 10 °C | 12 °C | 15 °C |
|--|-------------|-------------|--------|--------|--------|--------|--------|-------|------|------|------|------|------|-------|-------|-------|
| 5 K | 1454 (1) | 1606 (1) | 1739 | 1824 | 1891 | 1995 | 2119 | 2280 | 2489 | 2537 | 2575 | 2622 | 2717 | 2812 | 2917 | 3073 |
| 6 K | 1701 (1) | 1910 (1) | 2090 | 2242 | 2318 | 2451 | 2594 | 2765 | 3002 | 3069 | 3097 | 3154 | 3230 | 3335 | 3449 | 3620 |
| 7 K | 1919 (1) | 2176 (1) | 2413 | 2613 | 2755 | 2879 | 3050 | 3249 | 3496 | 3553 | 3610 | 3658 | 3734 | 3838 | 3952 | 4123 |
| 8 K | 2109 (1) | 2413 (1) | 2708 | 2964 | 3145 | 3297 | 3496 | 3724 | 4009 | 4076 | 4123 | 4171 | 4247 | 4399 | 4532 | 4731 |
| 9 K | 2280 (1) | 2613 (1) | 2964 | 3278 | 3553 | 3696 | 3933 | 4199 | 4513 | 4579 | 4646 | 4712 | 4779 | 4940 | 5083 | 5296 |
| 10 K | 2432 (1) | 2793 (1) | 3192 | 3563 | 3886 | 4133 | 4351 | 4636 | 4988 | 5073 | 5159 | 5235 | 5311 | 5425 | 5605 | 5876 |

(1) Application outside the recommended range

Values referred to :

Gas R449A Mid



INDICATIVE PRODUCT IMAGE

General features

- RDF range unit coolers have been designed to be installed inside cold rooms suited for fresh and frozen goods storage
- The main feature of this range is of throwing air from both sides; this allow the unit cooler to be placed in the middle of the cold room ceiling giving a uniform air flow and, as a result, the best product conservation
- RDF range is available in two different fan diameters and three types of fin spacing according to the needed application
- The ED version is supplied with mounted defrosting heaters and is suitable for being used at low temperature applications
- The range consists of two types of coils , both made of aluminium fins and copper tube: 3/8" tube size with a geometry of 25 x 21,65, for models with 250 mm fan diameter
- The model types having 250 mm fan diameter are fitted with a coil of 4,5 mm / 9 mm fin spacing, suited for applications with a cold room temperature (Tc) from -30°C to +10°C
- The coils are tested with nitrogen at a pressure of 25 bar.
- The fan motor models in use have the following features:
- Manufactured following EN 60335-1 laws, with internal thermal protection
- Fan diameter 250mm
- Power supply 230-240V/1/50-60Hz
- IP42 protection rate
- Operating temperature from -40°C to +40°C
- B insulation class
- Electrics made in conformity with 2006/95/CE Low Tension directive
- The housing is made of aluminium
- The manufacturing solutions used give the housing strength and guarantee the absence of vibrations during the functioning.
- Screws, washers and nuts are made of stainless steel