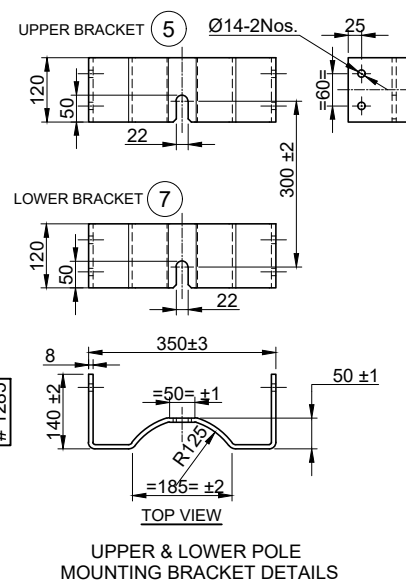


MINIMUM EXTERNAL AIR CLEARANCES		
	HV	LV
PHASE-PHASE	220	60
PHASE-EARTH	220	60



S.No.	DESCRIPTION	Qty.
1	H.V PORCELAIN BUSHINGS (24kV- 250A)- M12-BRASS STEM	3
2	VERTICAL OIL LEVEL INDICATOR (WITH MIN. & MAX. MARKINGS)	1
3	LASHING EYES	4
4	CORRUGATION PANEL	-
5	UPPER POLE MOUNTING BRACKET	1
6	RATING & TERMINALS MARKING PLATE	1
7	LOWER POLE MOUNTING BRACKET	1
8	OIL DRAINING DEVICE (EN 50216-4, NW:22)	1
9	BASE CHANNEL	2
10	EARTHING TERMINALS (M12)	2
11	L.V NEUTRAL EARTHING BOSS (M12)	1
12	TOP COVER TO TANK EARTHING LINK	1
13	PRESSURE RELIEF VALVE	1
14	L.V PORCELAIN BUSHINGS (1kV- 250A) M12-BRASS STEM	4
15	LIFTING LUGS TO LIFT COMPLETE TRANSFORMER	2
16	TAP CHANGER	1
17	SURGE ARRESTER MOUNTING BRACKET	3

CUSTOMER : "ONNINEN OY", FINLAND"

PO NUMBER: 4500937765, Dated: 26.01.2022

TIER 2 LOSSES AS PER COMMISSION REGULATION (EU) No 548/2014

TOTAL WEIGHT kg: 730 kg

RATING	KVA	50	NO. OF PHASES	3
VOLTAGE	PRI: V	20500	COOLING	ONAN
	SEC: V	410	TEMP. RISE Oil/Wdg. °C	60/65
CURRENT	PRI: A	1.41	VECTOR GROUP	Dyn11
	SEC: A	70.41	SPECIFICATION	IEC 60076
FREQUENCY	HZ:	50		

- NOTE:-**
- THE POSITION AND LOCATION OF FITTINGS & ACCESSORIES MAY SLIGHTLY VARY DURING MANUFACTURING.
 - OVERALL DIMENSIONS AND WEIGHTS ARE SUBJECT TO ± 10% TOLERANCE. HOWEVER, OVERALL DIMENSIONS AND WEIGHTS SHALL NOT EXCEED MAXIMUM LIMITS AS PER SPECIFICATION. (#) MARKED DIMENSIONS ARE ACTUAL DIMENSIONS AS PER DESIGN.
 - PAIN T : EXTERIOR PAINT PALE GREEN CONFORMING TO SHADE RAL 6021.
 - TOP COVER SHALL BE SLIGHTLY SLOPED TOWARDS HV SIDE.
 - POLE MOUNTING BRACKETS SHALL BE DETACHED DURING DISPATCH.
 - THE TRANSFORMER TANK SHALL HAVE A BOLTED TOP COVER WITH BOLT AND NUT ARRANGEMENT.

REV.	ZONE	DATE	MODIFICATION	DRAWN	CHECKED	APPROVED
1		31.01.22	UPDATED AS PER CUSTOMER REQUIREMENT	RVR	RVR	AVINASH
Shirdi Sai Electricals Ltd.						
Industrial Estate, kadapa-516004 Andhra Pradesh, India						
SCALE : NTS				WORK ORDER NO : 1071/10		
OUTLINE GENERAL ARRANGEMENT DETAILS				DWG. No.: 3 OG 11702 R1		
OF 50kVA, 20.5/0.41kV TRANSFORMER						