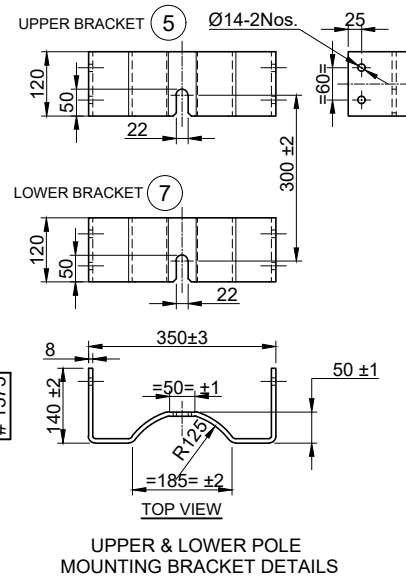


MINIMUM EXTERNAL AIR CLEARANCES		
	HV	LV
PHASE-PHASE	220	60
PHASE-EARTH	220	60



S.No.	DESCRIPTION	Qty.
1	H.V PORCELAIN BUSHINGS (24kV- 250A)- M12-BRASS STEM	3
2	VERTICAL OIL LEVEL INDICATOR (WITH MIN. & MAX. MARKINGS)	1
3	LASHING EYES	4
4	CORRUGATION PANEL	-
5	UPPER POLE MOUNTING BRACKET	1
6	RATING & TERMINALS MARKING PLATE	1
7	LOWER POLE MOUNTING BRACKET	1
8	OIL DRAINING DEVICE (EN 50216-4, NW:22)	1
9	BASE CHANNEL	2
10	EARTHING TERMINALS (M12)	2
11	L.V NEUTRAL EARTHING BOSS (M12)	1
12	TOP COVER TO TANK EARTHING LINK	1
13	PRESSURE RELIEF VALVE	1
14	L.V PORCELAIN BUSHINGS (1kV- 250A) M12-BRASS STEM	4
15	LIFTING LUGS TO LIFT COMPLETE TRANSFORMER	2
16	TAP CHANGER	1
17	SURGE ARRESTER MOUNTING BRACKET	3

CUSTOMER : "ONNINEN OY", FINLAND"

PO NUMBER: 4500939088, DATE: 01.02.2022

TIER 2 LOSSES AS PER COMMISSION REGULATION (EU) No 548/2014

TOTAL WEIGHT kg: 960 kg

RATING	KVA	100	NO. OF PHASES	3
VOLTAGE	PRI: V	20500	COOLING	ONAN
TAPPINGS +5% TO -5% IN STEPS OF 2.5%		SEC: V	410	TEMP. RISE Oil/Wdg. °C
CURRENT	PRI: A	2.82	VECTOR GROUP	Dyn11
	SEC: A	140.82	SPECIFICATION	IEC 60076
FREQUENCY	HZ:	50		

- NOTE:-**
1. THE POSITION AND LOCATION OF FITTINGS & ACCESSORIES MAY SLIGHTLY VARY DURING MANUFACTURING.
  2. OVERALL DIMENSIONS AND WEIGHTS ARE SUBJECT TO ± 10% TOLERANCE. HOWEVER, OVERALL DIMENSIONS AND WEIGHTS SHALL NOT EXCEED MAXIMUM LIMITS AS PER SPECIFICATION. (#) MARKED DIMENSIONS ARE ACTUAL DIMENSIONS AS PER DESIGN.
  3. PAINT : EXTERIOR PAINT PALE GREEN CONFORMING TO SHADE RAL 6021.
  4. TOP COVER SHALL BE SLIGHTLY SLOPED TOWARDS HV SIDE.
  5. POLE MOUNTING BRACKETS SHALL BE DETACHED DURING DISPATCH.
  6. THE TRANSFORMER TANK SHALL HAVE A BOLTED TOP COVER WITH BOLT AND NUT ARRANGEMENT.

REV.	ZONE	DATE	MODIFICATION	DRAWN	CHECKED	APPROVED
<b>Shirdi Sai Electricals Ltd.</b> Industrial Estate, kadapa-516004 Andhra Pradesh, India						
SCALE : NTS				OUTLINE GENERAL ARRANGEMENT DETAILS		
				OF 100kVA, 20.5/0.41kV TRANSFORMER		
				WORK ORDER NO : 1072/30		
				DWG. No.: 3 OG 11749		