



air-only



water heater



electric wire heater



BASIC FEATURES

STANDESSE EC is an extraordinary high-performance air curtain powered by energy-efficient EC fans. With its fine and attractive design it is a perfect fit for representative premises, such as **banks, luxury shops, shopping centres, airports and administrative buildings** with a recommended installation height up to 5 m*.

**Maximum recommended installation height – may vary according the particular conditions at the installation site.*

- Length: 1,0; 1,5; 2,0 and 2,5 m
- **Airflow up to 6.400 m³/h** (ISO 27 327-1)
- **Energy-efficient** and cost saving **EC fans**
- Very low noise level
- FACE2-in-1 Suction grille & Filter in one part
- **AirGENIO** modular control (Basic, Comfort, Superior)
- Easy installation and service
- Standard colour RAL 9016 and any RAL on request

The air curtain shall be installed indoors in a dry environment with ambient temperature ranging from 0°C up to +35°C and relative humidity not exceeding 80%. It is designed for conveying air free of rough dust, grease, chemical fumes and other impurities. IP rating of the air curtain is IP20. **The air curtain project shall always be designed by a HVAC engineer designer.**



PRIMARY PARAMETERS

Air curtains with electric heater are fitted with automatic heat thermostat and emergency thermostat with manual reset. Air curtains with LPHW coil are designed for the maximum operating water temperature of +100 °C and maximum operating pressure of 1.6 MPa.

| Type | Recommended installation height [m] | Airflow volume [m ³ /h] ^{*1} | Acoustic pressure at 3m[dB(A)] ^{*2} | Sound power [dB(A)] ^{*3} |
|----------------|-------------------------------------|--------------------------------------------------|----------------------------------------------|-----------------------------------|
| | | Maximal speed | Maximal speed | |
| VCST4B100-S0EC | 4,0 | 1900 | 53.2 | 74.5 |
| VCST4B150-S0EC | | 2800 | 54.3 | 75.8 |
| VCST4B200-S0EC | | 3800 | 56.3 | 78.1 |
| VCST4B250-S0EC | | 4700 | 57.7 | 79.6 |
| VCST4B100-E1EC | | 1900 | 53.2 | 74.5 |
| VCST4B150-E1EC | | 2800 | 54.3 | 75.8 |
| VCST4B200-E1EC | | 3800 | 56.3 | 78.1 |
| VCST4B250-E1EC | | 4700 | 57.7 | 79.6 |
| VCST4B100-V2EC | | 1850 | 53.0 | 74.4 |
| VCST4B150-V2EC | | 2700 | 54.6 | 76.2 |
| VCST4B200-V2EC | | 3700 | 55.7 | 77.4 |
| VCST4B250-V2EC | | 4500 | 56.8 | 78.7 |
| VCST4C100-S0EC | 5,0 | 2550 | 55.7 | 77.0 |
| VCST4C150-S0EC | | 3650 | 56.8 | 78.4 |
| VCST4C200-S0EC | | 4650 | 57.8 | 79.6 |
| VCST4C250-S0EC | | 6400 | 59.0 | 80.9 |
| VCST4C100-E1EC | | 2550 | 55.7 | 77.0 |
| VCST4C150-E1EC | | 3650 | 56.8 | 78.4 |
| VCST4C200-E1EC | | 4650 | 57.8 | 79.6 |
| VCST4C250-E1EC | | 6400 | 59.0 | 80.9 |
| VCST4C100-V2EC | | 2450 | 56.6 | 78.0 |
| VCST4C150-V2EC | | 3500 | 56.9 | 78.4 |
| VCST4C200-V2EC | | 4550 | 57.5 | 79.3 |
| VCST4C250-V2EC | | 5900 | 58.2 | 80.2 |
| VCST4C150-V3EC | | 3450 | 56.9 | 78.4 |
| VCST4C200-V3EC | | 4450 | 57.5 | 79.3 |
| VCST4C250-V3EC | | 5850 | 58.2 | 80.2 |

^{*1} Airflow volume according ISO27327-1

^{*2} Acoustic pressure values at 3 m distance for maximum speed. Directional factor: Q=2.

^{*3} Sound power (LWA) measurements according to ISO 27327-2.



| Type | Heater power output [kW] | | Total power input [kW] | Total voltage/ current [V/A] | Motors voltage/ current [V/A] | Temperature increase Δt [°C] | Frequency [Hz] | Weight [kg] ⁴ |
|----------------|--------------------------|-----------|------------------------|------------------------------|-------------------------------|--------------------------------------|----------------|--------------------------|
| | 1st level | 2st level | | | | | | |
| VCST4B100-S0EC | - | - | 0,34 | 230/2,4 | 230/2,4 | - | 50/60 | 38 |
| VCST4B150-S0EC | - | - | 0,5 | 230/3,4 | 230/3,4 | - | 50/60 | 53 |
| VCST4B200-S0EC | - | - | 0,68 | 230/4,4 | 230/4,4 | - | 50/60 | 68 |
| VCST4B250-S0EC | - | - | 0,85 | 230/5,4 | 230/5,4 | - | 50/60 | 83 |
| VCST4B100-E1EC | 4,6 | 9,4 | 9,74 | 400/16 | 230/2,4 | 14,7 | 50/60 | 42 |
| VCST4B150-E1EC | 7,6 | 15 | 15,5 | 400/25,1 | 230/3,4 | 16 | 50/60 | 57 |
| VCST4B200-E1EC | 9,8 | 19 | 19,68 | 400/31,9 | 230/4,4 | 14,9 | 50/60 | 73 |
| VCST4B250-E1EC | 12,5 | 24,5 | 25,35 | 400/40,8 | 230/5,4 | 15,5 | 50/60 | 89 |
| VCST4B100-V2EC | - | - | 0,34 | 230/2,4 | 230/2,4 | 6,1 ² | 50/60 | 44 |
| VCST4B150-V2EC | - | - | 0,5 | 230/3,4 | 230/3,4 | 17,1 ² | 50/60 | 59 |
| VCST4B200-V2EC | - | - | 0,68 | 230/4,4 | 230/4,4 | 31,4 ² | 50/60 | 75 |
| VCST4B250-V2EC | - | - | 0,85 | 230/5,4 | 230/5,4 | 43 ² | 50/60 | 87 |
| VCST4C100-S0EC | - | - | 0,50 | 230/3,3 | 230/3,3 | - | 50/60 | 42 |
| VCST4C150-S0EC | - | - | 0,68 | 230/4,5 | 230/4,5 | - | 50/60 | 57 |
| VCST4C200-S0EC | - | - | 0,84 | 230/5,3 | 230/5,3 | - | 50/60 | 71 |
| VCST4C250-S0EC | - | - | 1,20 | 230/7,2 | 230/7,2 | - | 50/60 | 89 |
| VCST4C100-E1EC | 4,6 | 9,4 | 9,9 | 400/16,9 | 230/3,3 | 11,6 | 50/60 | 47 |
| VCST4C150-E1EC | 7,6 | 15 | 15,68 | 400/21,2 | 230/4,5 | 12,3 | 50/60 | 61 |
| VCST4C200-E1EC | 9,8 | 19 | 19,84 | 400/32,8 | 230/5,3 | 10 | 50/60 | 77 |
| VCST4C250-E1EC | 12,5 | 24,5 | 25,7 | 400/42,6 | 230/7,2 | 11,4 | 50/60 | 101 |
| VCST4C100-V2EC | - | - | 0,50 | 230/3,3 | 230/3,3 | 34,5 | 50/60 | 49 |
| VCST4C150-V2EC | - | - | 0,68 | 230/4,5 | 230/4,5 | 34,7 | 50/60 | 63 |
| VCST4C200-V2EC | - | - | 0,84 | 230/5,3 | 230/5,3 | 36,7 | 50/60 | 79 |
| VCST4C250-V2EC | - | - | 1,20 | 230/7,2 | 230/7,2 | 36,1 | 50/60 | 99 |
| VCST4C150-V3EC | - | - | 0,68 | 230/4,5 | 230/4,5 | 13,1 ³ | 50/60 | 67 |
| VCST4C200-V3EC | - | - | 0,84 | 230/5,3 | 230/5,3 | 13,1 ³ | 50/60 | 83 |
| VCST4C250-V3EC | - | - | 1,20 | 230/7,2 | 230/8,7 | 13 ³ | 50/60 | 103 |

* At the maximum air flow and maximum heater power

² Intake air temperature +18°C, water temperature gradient of 90/70 °C and highest fan speed.

³ Intake air temperature +18°C, water temperature gradient of 40/30 °C and highest fan speed.

⁴ Weight without controls.

LPHW coil parameters for water temperature gradient 90/70 °C

| Type | Air output | Heat output | Temperature at exhaust | Pressure loss | Water flow |
|----------------|------------|-------------|------------------------|---------------|------------|
| | [m³/h] | [kW] | [°C] | [kPa] | [l/s] |
| VCST4B100-V2EC | 1850 | 24,1 | 56,6 | 8,2 | 0,30 |
| VCST4B150-V2EC | 2700 | 35,1 | 56,5 | 5,5 | 0,43 |
| VCST4B200-V2EC | 3700 | 49,4 | 57,6 | 11,6 | 0,61 |
| VCST4B250-V2EC | 4500 | 61 | 58,1 | 18,4 | 0,75 |
| VCST4C100-V2EC | 2450 | 28,5 | 52,5 | 11,3 | 0,35 |
| VCST4C150-V2EC | 3500 | 41,0 | 52,7 | 7,5 | 0,51 |
| VCST4C200-V2EC | 4450 | 55,8 | 54,7 | 14,6 | 0,69 |
| VCST4C250-V2EC | 5900 | 72,0 | 54,1 | 25,3 | 0,89 |

* Temperature of intake air: +18 °C

LPHW coil parameters for water temperature gradient 80/60 °C

| Type | Air output | Heat output | Temperature at exhaust | Pressure loss | Water flow |
|----------------|------------|-------------|------------------------|---------------|------------|
| | [m³/h] | [kW] | [°C] | [kPa] | [l/s] |
| VCST4B100-V2EC | 1850 | 19,7 | 49,5 | 5,7 | 0,24 |
| VCST4B150-V2EC | 2700 | 28,5 | 49,2 | 3,8 | 0,35 |
| VCST4B200-V2EC | 3700 | 40,5 | 50,4 | 8,1 | 0,50 |
| VCST4B250-V2EC | 4500 | 50,2 | 51,0 | 12,9 | 0,62 |
| VCST4C100-V2EC | 2450 | 23,3 | 46,1 | 7,8 | 0,29 |
| VCST4C150-V2EC | 3500 | 33,2 | 46,1 | 5,0 | 0,41 |
| VCST4C200-V2EC | 4450 | 45,6 | 48,0 | 10,1 | 0,56 |
| VCST4C250-V2EC | 5900 | 59,1 | 47,7 | 17,6 | 0,73 |

* Temperature of intake air: +18 °C

LPHW coil parameters for water temperature gradient 70/50 °C

| Type | Air output | Heat output | Temperature at exhaust | Pressure loss | Water flow |
|----------------|------------|-------------|------------------------|---------------|------------|
| | [m³/h] | [kW] | [°C] | [kPa] | [l/s] |
| VCST4B100-V2EC | 1850 | 15,3 | 42,4 | 3,6 | 0,19 |
| VCST4B150-V2EC | 2700 | 21,8 | 41,9 | 2,3 | 0,27 |
| VCST4B200-V2EC | 3700 | 31,5 | 43,2 | 5,1 | 0,38 |
| VCST4B250-V2EC | 4500 | 39,3 | 43,9 | 8,2 | 0,48 |
| VCST4C100-V2EC | 2450 | 18,0 | 39,7 | 4,9 | 0,22 |
| VCST4C150-V2EC | 3500 | 25,4 | 39,5 | 3,1 | 0,31 |
| VCST4C200-V2EC | 4450 | 35,3 | 41,3 | 6,3 | 0,43 |
| VCST4C250-V2EC | 5900 | 46,1 | 41,2 | 11,1 | 0,56 |

* Temperature of intake air: +18 °C

LPHW coil parameters for water temperature gradient 60/40 °C

| Type | Air output | Heat output | Temperature at exhaust | Pressure loss | Water flow |
|----------------|------------|-------------|------------------------|---------------|------------|
| | [m³/h] | [kW] | [°C] | [kPa] | [l/s] |
| VCST4B100-V2EC | 1850 | 10,8 | 35,2 | 1,9 | 0,13 |
| VCST4B150-V2EC | 2700 | 15,1 | 34,5 | 1,2 | 0,18 |
| VCST4B200-V2EC | 3700 | 22,3 | 35,9 | 2,7 | 0,27 |
| VCST4B250-V2EC | 4500 | 28,2 | 36,6 | 4,5 | 0,34 |
| VCST4C100-V2EC | 2450 | 12,6 | 33,2 | 2,6 | 0,15 |
| VCST4C150-V2EC | 3500 | 17,4 | 32,7 | 1,5 | 0,21 |
| VCST4C200-V2EC | 4450 | 25,0 | 34,4 | 3,3 | 0,30 |
| VCST4C250-V2EC | 5900 | 32,9 | 34,5 | 6,0 | 0,40 |

* Temperature of intake air: +18 °C



LPHW coil parameters for water temperature gradient 50/30 °C

| Type | Air output | Heat output | Temperature at exhaust | Pressure loss | Water flow |
|----------------|------------|-------------|------------------------|---------------|------------|
| | [m³/h] | [kW] | [°C] | [kPa] | [l/s] |
| VCST4C150-V3EC | 3450 | 17,7 | 33,1 | 7,5 | 0,21 |
| VCST4C200-V3EC | 4450 | 23,1 | 33,3 | 6,8 | 0,28 |
| VCST4C250-V3EC | 5850 | 30,6 | 33,4 | 12,8 | 0,40 |

* Temperature of intake air: +18 °C

LPHW coil parameters for water temperature gradient 40/30 °C

| Type | Air output | Heat output | Temperature at exhaust | Pressure loss | Water flow |
|----------------|------------|-------------|------------------------|---------------|------------|
| | [m³/h] | [kW] | [°C] | [kPa] | [l/s] |
| VCST4C150-V3EC | 3450 | 14,7 | 30,6 | 18,9 | 0,35 |
| VCST4C200-V3EC | 4450 | 19,2 | 30,7 | 17,2 | 0,46 |
| VCST4C250-V3EC | 5850 | 25,2 | 30,7 | 31,7 | 0,61 |

* Temperature of intake air: +18 °C

LPHW coil parameters for water temperature gradient 35/25 °C

| Type | Air output | Heat output | Temperature at exhaust | Pressure loss | Water flow |
|----------------|------------|-------------|------------------------|---------------|------------|
| | [m³/h] | [kW] | [°C] | [kPa] | [l/s] |
| VCST4C150-V3EC | 3450 | 9,6 | 26,2 | 9,1 | 0,23 |
| VCST4C200-V3EC | 4450 | 12,6 | 26,3 | 8,2 | 0,30 |
| VCST4C250-V3EC | 5850 | 16,7 | 26,4 | 15,5 | 0,40 |

* Temperature of intake air: +18 °C

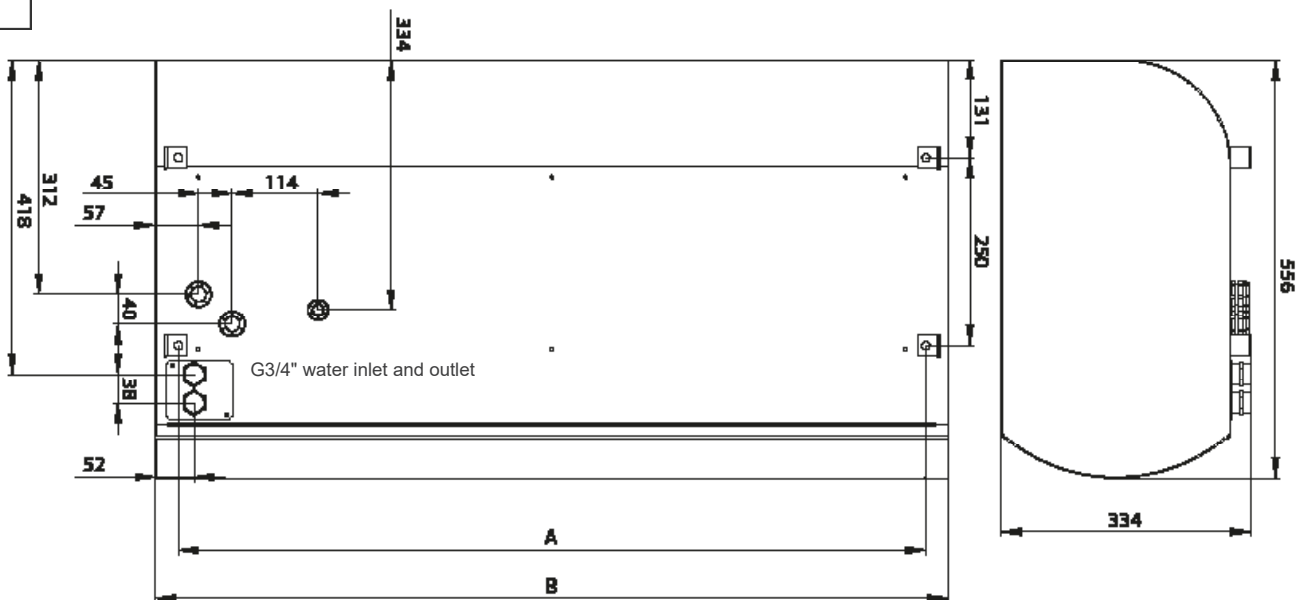
Recommended mixing points for LPHW coil 3-way valve

| Type | Control module | 90/70 °C | 80/60 °C | 70/50 °C | 60/40 °C |
|--------------|----------------|-----------------|-----------------|-----------------|-----------------|
| | | 3-way valve | | | |
| VCST4B100-V2 | BASIC | ZV3-230-04,0-20 | ZV3-230-04,0-20 | ZV3-230-04,0-20 | ZV3-230-04,0-20 |
| | | RT-3-07 | RT-3-07 | RT-3-07 | RT-3-07 |
| | COMFORT | ZV3-024-04,0-20 | ZV3-024-04,0-20 | ZV3-024-04,0-20 | ZV3-024-04,0-20 |
| | SUPERIOR | ZV3-024-04,0-20 | ZV3-024-04,0-20 | ZV3-024-04,0-20 | ZV3-024-04,0-20 |
| VCST4B150-V2 | BASIC | ZV3-230-04,0-20 | ZV3-230-04,0-20 | ZV3-230-04,0-20 | ZV3-230-04,0-20 |
| | | RT-3-07 | RT-3-07 | RT-3-07 | RT-3-07 |
| | COMFORT | ZV3-024-04,0-20 | ZV3-024-04,0-20 | ZV3-024-04,0-20 | ZV3-024-04,0-20 |
| | SUPERIOR | ZV3-024-04,0-20 | ZV3-024-04,0-20 | ZV3-024-04,0-20 | ZV3-024-04,0-20 |
| VCST4B200-V2 | BASIC | ZV3-230-21,0-20 | ZV3-230-21,0-20 | ZV3-230-21,0-20 | ZV3-230-21,0-20 |
| | | RT-3-07 | RT-3-07 | RT-3-07 | RT-3-07 |
| | COMFORT | ZV3-024-06,3-20 | ZV3-024-06,3-20 | ZV3-024-06,3-20 | ZV3-024-06,3-20 |
| | SUPERIOR | ZV3-024-06,3-20 | ZV3-024-06,3-20 | ZV3-024-06,3-20 | ZV3-024-06,3-20 |
| VCST4B250-V2 | BASIC | ZV3-230-21,0-20 | ZV3-230-21,0-20 | ZV3-230-21,0-20 | ZV3-230-21,0-20 |
| | | RT-3-07 | RT-3-07 | RT-3-07 | RT-3-07 |
| | COMFORT | ZV3-024-06,3-20 | ZV3-024-06,3-20 | ZV3-024-06,3-20 | ZV3-024-06,3-20 |
| | SUPERIOR | ZV3-024-06,3-20 | ZV3-024-06,3-20 | ZV3-024-06,3-20 | ZV3-024-06,3-20 |
| VCST4C100-V2 | BASIC | ZV3-230-04,0-20 | ZV3-230-04,0-20 | ZV3-230-04,0-20 | ZV3-230-04,0-20 |
| | | RT-3-07 | RT-3-07 | RT-3-07 | RT-3-07 |
| | COMFORT | ZV3-024-04,0-20 | ZV3-024-04,0-20 | ZV3-024-04,0-20 | ZV3-024-04,0-20 |
| | SUPERIOR | ZV3-024-04,0-20 | ZV3-024-04,0-20 | ZV3-024-04,0-20 | ZV3-024-04,0-20 |
| VCST4C150-V2 | BASIC | ZV3-230-04,0-20 | ZV3-230-04,0-20 | ZV3-230-04,0-20 | ZV3-230-04,0-20 |
| | | RT-3-07 | RT-3-07 | RT-3-07 | RT-3-07 |
| | COMFORT | ZV3-024-04,0-20 | ZV3-024-04,0-20 | ZV3-024-04,0-20 | ZV3-024-04,0-20 |
| | SUPERIOR | ZV3-024-04,0-20 | ZV3-024-04,0-20 | ZV3-024-04,0-20 | ZV3-024-04,0-20 |
| VCST4C200-V2 | BASIC | ZV3-230-21,0-20 | ZV3-230-21,0-20 | ZV3-230-21,0-20 | ZV3-230-21,0-20 |
| | | RT-3-07 | RT-3-07 | RT-3-07 | RT-3-07 |
| | COMFORT | ZV3-024-06,3-20 | ZV3-024-06,3-20 | ZV3-024-06,3-20 | ZV3-024-06,3-20 |
| | SUPERIOR | ZV3-024-06,3-20 | ZV3-024-06,3-20 | ZV3-024-06,3-20 | ZV3-024-06,3-20 |
| VCST4C250-V2 | BASIC | ZV3-230-21,0-20 | ZV3-230-21,0-20 | ZV3-230-21,0-20 | ZV3-230-21,0-20 |
| | | RT-3-07 | RT-3-07 | RT-3-07 | RT-3-07 |
| | COMFORT | ZV3-024-06,3-20 | ZV3-024-06,3-20 | ZV3-024-06,3-20 | ZV3-024-06,3-20 |
| | SUPERIOR | ZV3-024-06,3-20 | ZV3-024-06,3-20 | ZV3-024-06,3-20 | ZV3-024-06,3-20 |

Recommended mixing points for LPHW coil 2-way valve

| Type | Control module | 90/70 °C | 80/60 °C | 70/50 °C | 60/40 °C |
|--------------|----------------|-----------------|-----------------|-----------------|-----------------|
| | | 2-way valve | | | |
| VCST4B100-V2 | BASIC | ZV2-230-08,0-20 | ZV2-230-08,0-20 | ZV2-230-08,0-20 | ZV2-230-08,0-20 |
| | COMFORT | ZV2-024-08,0-20 | ZV2-024-08,0-20 | ZV2-024-08,0-20 | ZV2-024-08,0-20 |
| | SUPERIOR | ZV2-024-08,0-20 | ZV2-024-08,0-20 | ZV2-024-08,0-20 | ZV2-024-08,0-20 |
| VCST4B150-V2 | BASIC | ZV2-230-08,0-20 | ZV2-230-08,0-20 | ZV2-230-08,0-20 | ZV2-230-08,0-20 |
| | COMFORT | ZV2-024-08,0-20 | ZV2-024-08,0-20 | ZV2-024-08,0-20 | ZV2-024-08,0-20 |
| | SUPERIOR | ZV2-024-08,0-20 | ZV2-024-08,0-20 | ZV2-024-08,0-20 | ZV2-024-08,0-20 |
| VCST4B200-V2 | BASIC | ZV2-230-08,0-20 | ZV2-230-08,0-20 | ZV2-230-08,0-20 | ZV2-230-08,0-20 |
| | COMFORT | ZV2-024-08,0-20 | ZV2-024-08,0-20 | ZV2-024-08,0-20 | ZV2-024-08,0-20 |
| | SUPERIOR | ZV2-024-08,0-20 | ZV2-024-08,0-20 | ZV2-024-08,0-20 | ZV2-024-08,0-20 |
| VCST4B250-V2 | BASIC | ZV2-230-08,0-20 | ZV2-230-08,0-20 | ZV2-230-08,0-20 | ZV2-230-08,0-20 |
| | COMFORT | ZV2-024-08,0-20 | ZV2-024-08,0-20 | ZV2-024-08,0-20 | ZV2-024-08,0-20 |
| | SUPERIOR | ZV2-024-08,0-20 | ZV2-024-08,0-20 | ZV2-024-08,0-20 | ZV2-024-08,0-20 |
| VCST4C100-V2 | BASIC | ZV2-230-08,0-20 | ZV2-230-08,0-20 | ZV2-230-08,0-20 | ZV2-230-08,0-20 |
| | COMFORT | ZV2-024-08,0-20 | ZV2-024-08,0-20 | ZV2-024-08,0-20 | ZV2-024-08,0-20 |
| | SUPERIOR | ZV2-024-08,0-20 | ZV2-024-08,0-20 | ZV2-024-08,0-20 | ZV2-024-08,0-20 |
| VCST4C150-V2 | BASIC | ZV2-230-08,0-20 | ZV2-230-08,0-20 | ZV2-230-08,0-20 | ZV2-230-08,0-20 |
| | COMFORT | ZV2-024-08,0-20 | ZV2-024-08,0-20 | ZV2-024-08,0-20 | ZV2-024-08,0-20 |
| | SUPERIOR | ZV2-024-08,0-20 | ZV2-024-08,0-20 | ZV2-024-08,0-20 | ZV2-024-08,0-20 |
| VCST4C200-V2 | BASIC | ZV2-230-08,0-20 | ZV2-230-08,0-20 | ZV2-230-08,0-20 | ZV2-230-08,0-20 |
| | COMFORT | ZV2-024-08,0-20 | ZV2-024-08,0-20 | ZV2-024-08,0-20 | ZV2-024-08,0-20 |
| | SUPERIOR | ZV2-024-08,0-20 | ZV2-024-08,0-20 | ZV2-024-08,0-20 | ZV2-024-08,0-20 |
| VCST4C250-V2 | BASIC | ZV2-230-08,0-20 | ZV2-230-08,0-20 | ZV2-230-08,0-20 | ZV2-230-08,0-20 |
| | COMFORT | ZV2-024-08,0-20 | ZV2-024-08,0-20 | ZV2-024-08,0-20 | ZV2-024-08,0-20 |
| | SUPERIOR | ZV2-024-08,0-20 | ZV2-024-08,0-20 | ZV2-024-08,0-20 | ZV2-024-08,0-20 |

DIMENSIONS

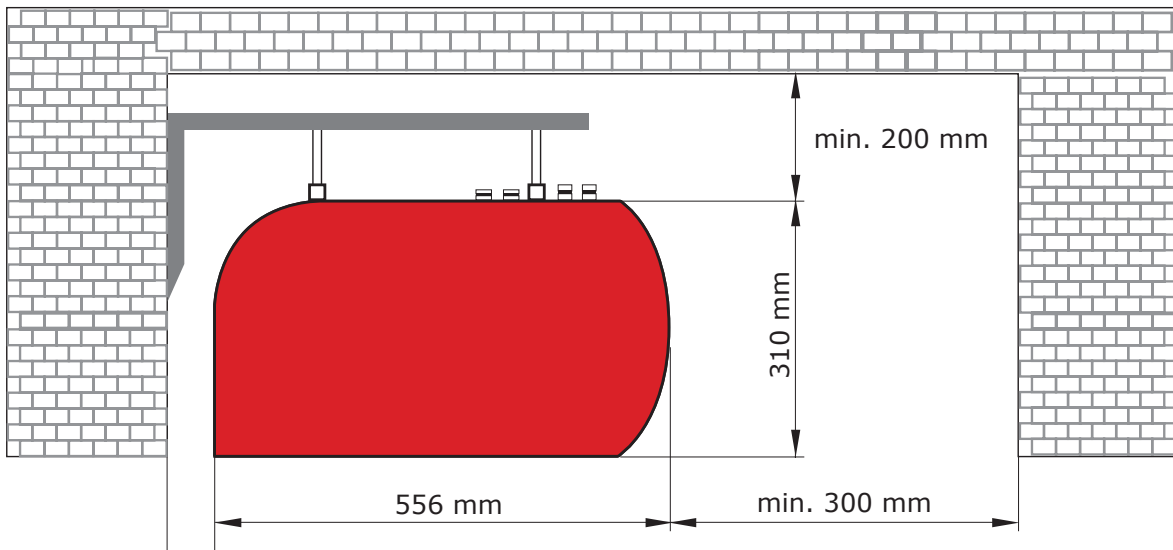


| Type | Spacing of installation holes A [mm] | Width B [mm] |
|---------------|--------------------------------------|--------------|
| VCST4x100... | 994 | 1054 |
| VCST4x150... | 1494 | 1554 |
| VCST4x-200... | 1994 | 2054 |
| VCST4x-250... | 2394 | 2454 |



INSTALLATION AND ASSEMBLY

- The air curtain shall be installed in a horizontal position only.
- The air curtain shall be located as close to the top edge of the doorway as possible, see figure.
- To ensure a correct function it is recommended that the air curtain overlaps the doorway by 100 mm on both sides.
- Correct operation of the air curtain requires that specified distances from the surrounding objects are observed, see figure.
- Position of the heating water and power supply connections shall be taken into consideration during installation.
- Suspension holders are used for installing the air curtains see ACCESSORIES.



CONTROL

The **STANDESSE** air curtains are produced with universal interface for control module connection. There are three types of control modules available (BASIC, COMFORT and SUPERIOR). Control module is a required accessory for each air curtain.

Additional change of control system is available. Control module is connected with air curtain by quick connection sockets. The basic differences among individual control module types are given in table underneath.



CONTROL

Overview of functions and sensor connections

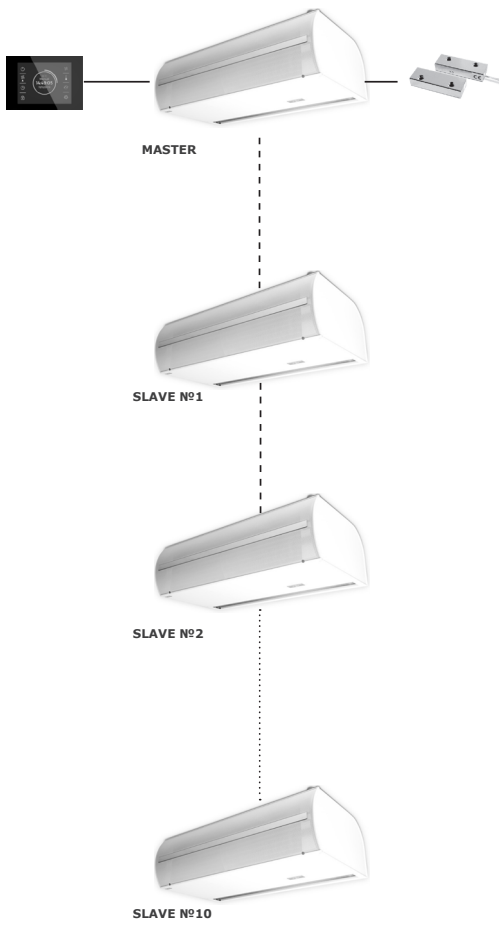


| AirGENIO control | | BASIC VCST4-AGBA1-M-EC | COMFORT VCST4-AGCO1-M-EC | SUPERIOR VCST4-AGSU1-M-EC |
|------------------|------------------------------------------|-------------------------------------------|-----------------------------|-----------------------------------|
| | Type of controller | Manual | Touch screen | Touch screen |
| | Mode | Manual | Manual / Auto | Manual / Auto |
| | Control of air output | PWM | PWM | PWM |
| | Control of electric heater | OFF / Level1 / Level2 | OFF / Level1 / Level2 | PWM |
| | Control of water heater | ON/OFF | ON-OFF / 0-10V | 0-10V |
| | Antifreeze protection of LPHW | NO | YES | YES |
| | Possibility of connecting a door contact | YES | YES | YES |
| | External control | NO | YES | YES |
| | Temperature measurement | NO | YES (NTC)* | YES (NTC)* |
| | Chaining air curtains | NO | YES – max 10+1 pcs | YES – max 10+1 pcs |
| | Indication of selected function | NO | YES (Display) | YES (Display) |
| | Controller connection to air curtain | Power wire + Communication cable (UTP) | Communication cable (UTP) | Communication cable (UTP) |
| | Self learning mode | NO | YES | YES |
| | BMS connection | NO | Modbus RTU | Modbus RTU, Modbus TCP, BACnet |
| | Error contact | NO | YES | YES |
| | 2 nd control panel ready | NO | YES | YES |

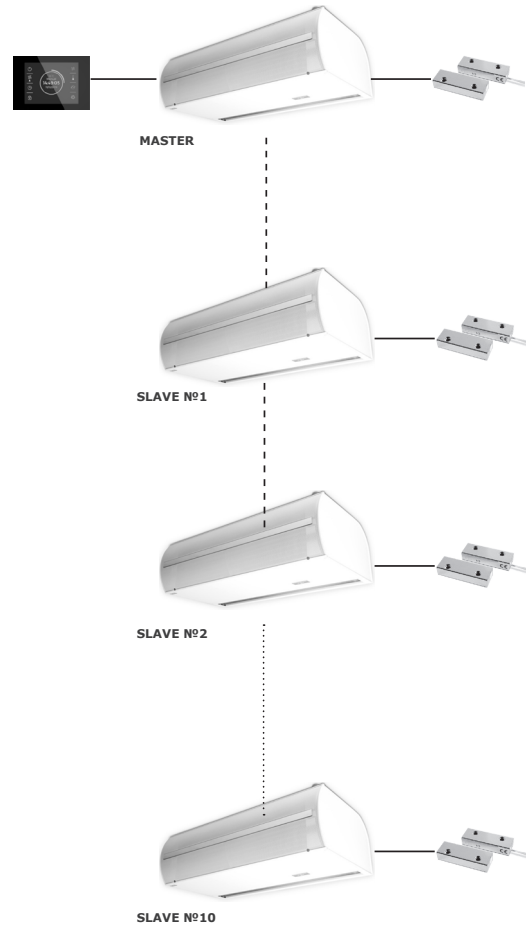
*) Temperature sensor included in standard. Temperature shown on display.

 CHAINING EXAMPLE

COMFORT / SUPERIOR
Global Door contact function active
(Single door with multiple air curtains)



COMFORT / SUPERIOR
Global Door contact function not active
(Multiple doors with own door contact)





ACCESSORIES

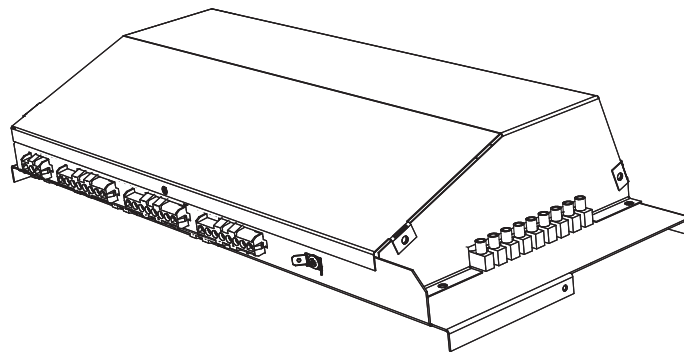
REQUIRED ACCESSORIES

These accessories shall be ordered to make the air curtain functional.

AirGENIO control module

A control module is a required accessory for air curtain and shall be ordered for each air curtain. Control panel is included in delivery of control module. The ordering key for control modules is provided below.

Communication cable has to be ordered separately as an optional accessorie.



VCST4 - AGCO1 - M- EC - S0 - OA0

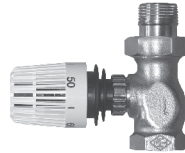
- OA0** – 2V version
- S0** – Without heating
- E2** – Electric heater 2-STEP control (BASIC, COMFORT)
- EF** – Electric heater FLUENT control (SUPERIOR)
- V1** – Water heater ON/OFF control (BASIC)
- VF** – Water heater FLUENT control (SUPERIOR)
- VC** – Water heater control with choice of ON/OFF or 0-10V (COMFORT)
- EC** – For EC fans
- S** – SLAVE controls (only for COMFORT, SUPERIOR)
- M** – MASTER controls (only for COMFORT, SUPERIOR)
- AGBA1** - AirGENIO BASIC 1st generation (mechanical)
- AGCO1** - AirGENIO COMFORT 1st generation (touch screen)
- AGSU1** - AirGENIO SUPERIOR 1st generation (touch screen)
- VCST4** – Air curtain STANDESSE / FINESSE



OPTIONAL ACCESSORIES

More details can be found on the relevant page in this catalogue

Thermostatic valve TV-1-1/1
TV-1-1/1



2-way or 3-way valve with servo drive (230V)
ZV2-230-xx,x-xx
ZV3-230-xx,x-xx
(for BASIC and COMFORT control)



3-way valve with servo drive RT
RT-3-07 (K_{vs} 07)
(for BASIC and COMFORT control)



2-way or 3-way valve with servo drive (0-10V)
ZV2-024-xx,x-xx
ZV3-024-xx,x-xx
(for COMFORT and SUPERIOR control)



Room thermostat
TER-P
(for BASIC control)



Room temperature sensor for wall installation
CT-ROOM
(for COMFORT and SUPERIOR control)

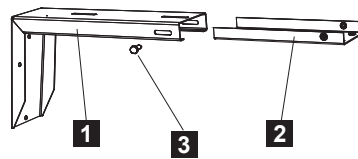




Wall mounting bracket

Bracket designed for mounting the air curtain to the wall.

- 1 Bracket
- 2 Hanging strip
- 3 Securing screw



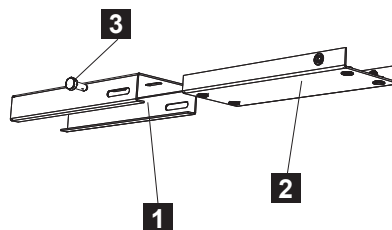
VCS4-KONZ-STE

- for B and C air curtains (2 pcs. in package)
- wall mounting bracket

Ceiling holder

The holder is designed for attaching the air curtain to a ceiling.

- 1 Ceiling bracket
- 2 Hanging strip
- 3 Securing screw



VCS4-KONZ-STR

- for B and C air curtains (2 pcs. in package)
- ceiling holder

Exit sign for marking of emergency exits.

Suitable for all types of air curtains.

VCS4-EXIT



Mechanical industry door switch

DS

Heavy-duty door contact for industry use



Magnetic door contact

Magnetic door contact in metal housing with higher protection against mechanical damage

DK-B-3



2nd Control panel

ND-REMOTE-CONTROL (for control CO, SU)

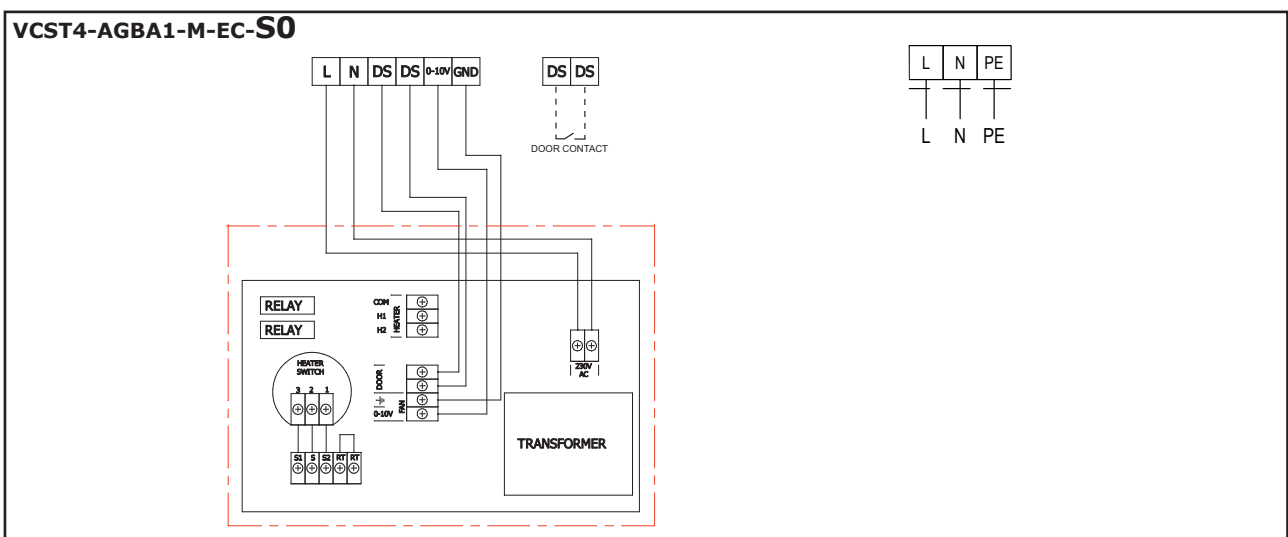
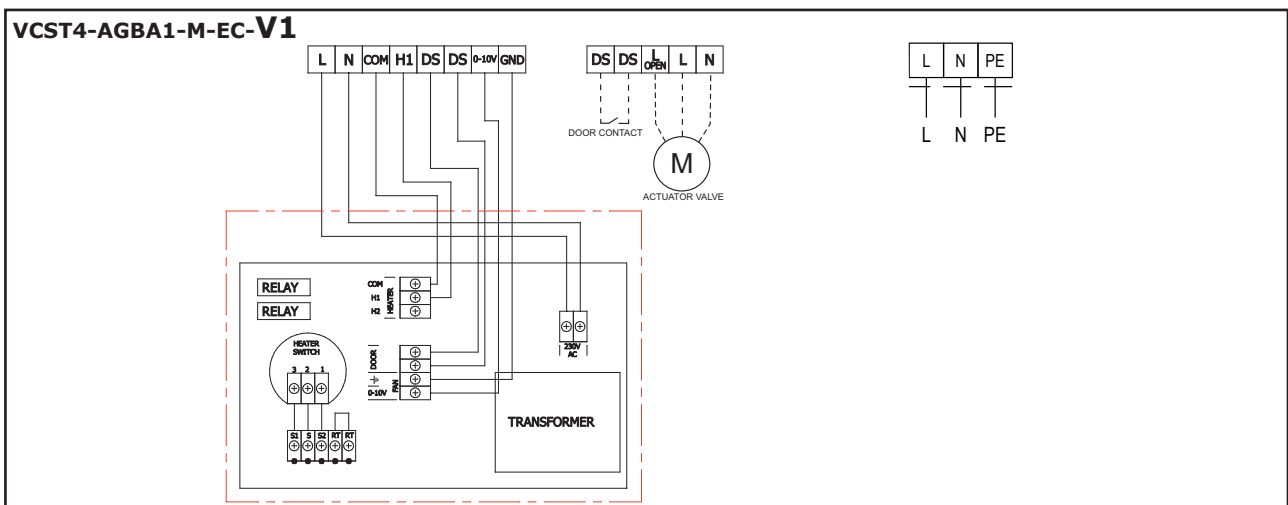
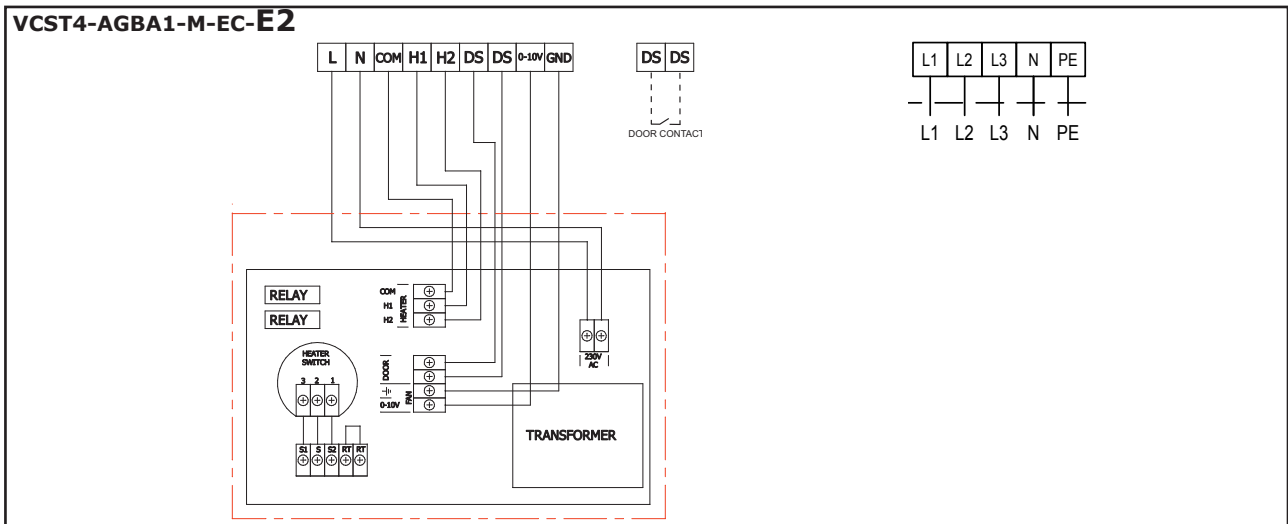




WIRING DIAGRAMS

The recommended cross-section of the main power supply cables is stated in the Instruction Manual. All wiring diagrams provided in the technical catalog are indicative only. When assembling the product, carefully observe the nameplate ratings as well as directions and diagrams affixed directly to the product or enclosed with the product.

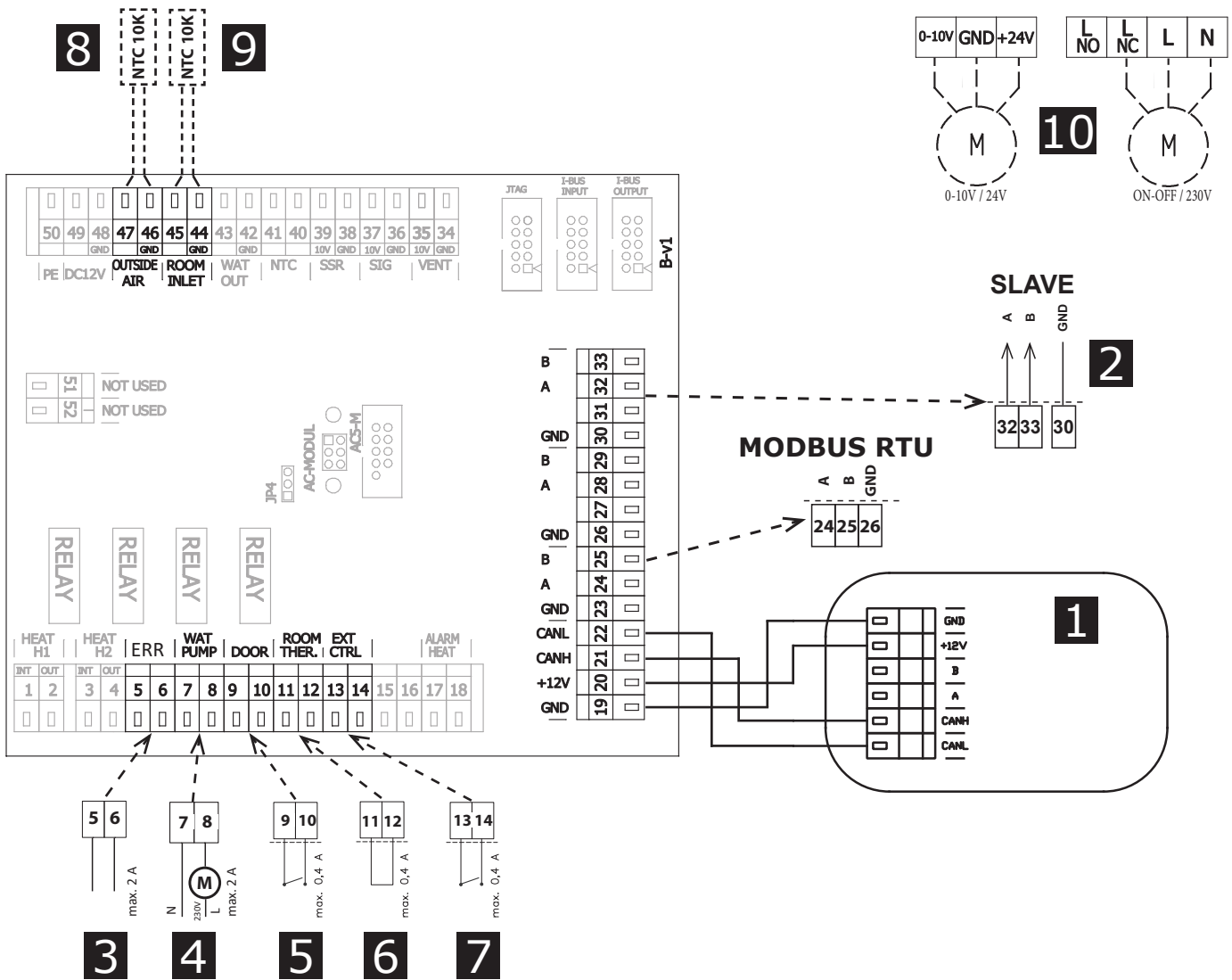
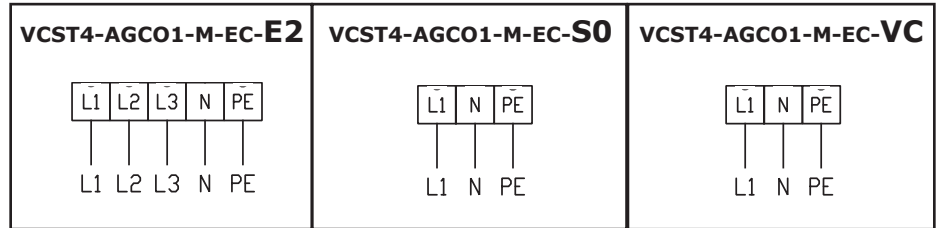
AirGENIO BASIC





WIRING DIAGRAMS

AirGENIO COMFORT MASTER



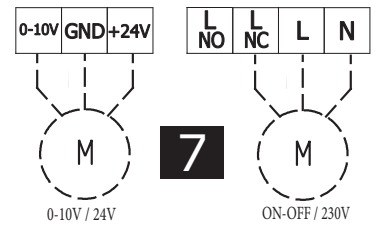
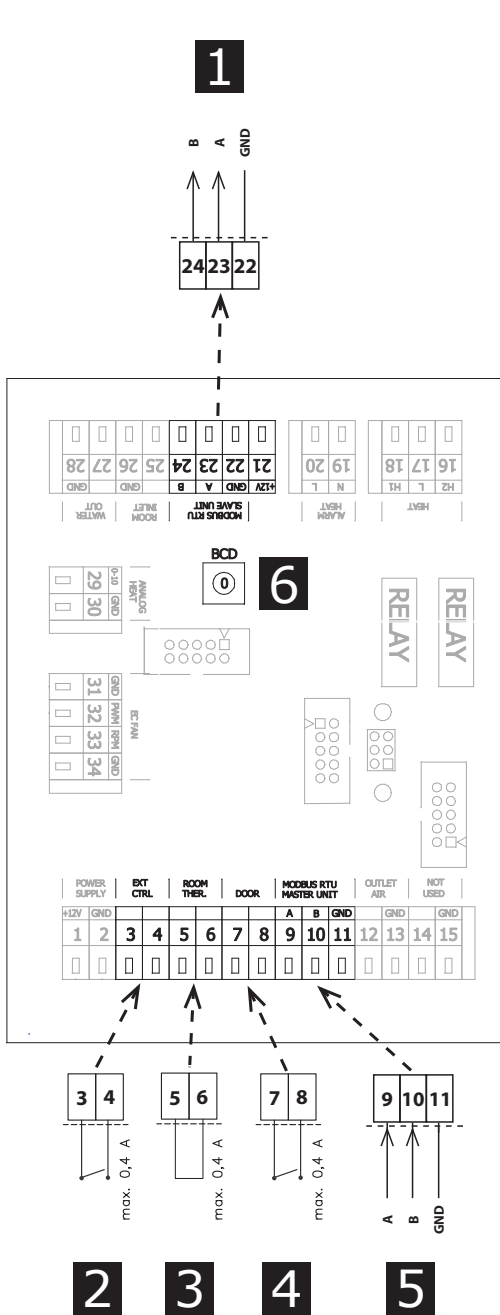
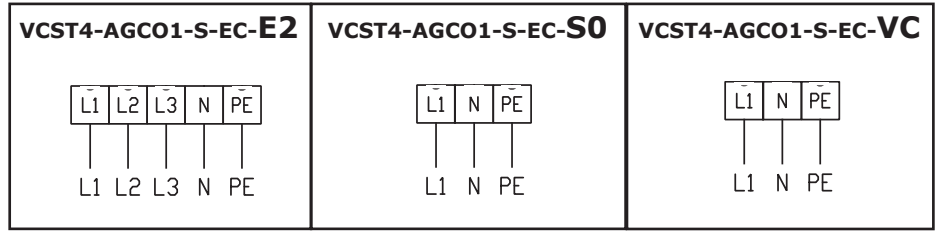
| EN | |
|----|-----------------------------------------------------------------------|
| 1 | Control panel |
| 2 | Signal to SLAVE unit |
| 3 | ERROR contact (relay contact, NO/NC) |
| 4 | Water pump (relay contact)* |
| 5 | DOOR contact (input, NO/NC) |
| 6 | Room thermostat (input, NO/NC) |
| 7 | External control (input, NO/NC) |
| 8 | Outside air temp. sensor (include delivery) |
| 9 | Room temp. sensor (include delivery) |
| 10 | Water valve control connection (option 1 = ON-OFF, option 2 = 0-10V)* |

* Available for VCST4-AGCO1-M-EC-VC only



WIRING DIAGRAMS

AirGENIO COMFORT SLAVE



| EN | |
|----|-----------------------------------------------------------------------|
| 1 | Signal to SLAVE unit |
| 2 | External control - ON/OFF |
| 3 | Room thermostat (input) |
| 4 | DOOR contact (input) |
| 5 | Signal from MASTER unit |
| 6 | Address of the slave air curtain |
| 7 | Water valve control connection (option 1 = ON-OFF, option 2 = 0-10V)* |

* Available for VCST4-AGCO1-S-EC-VC only

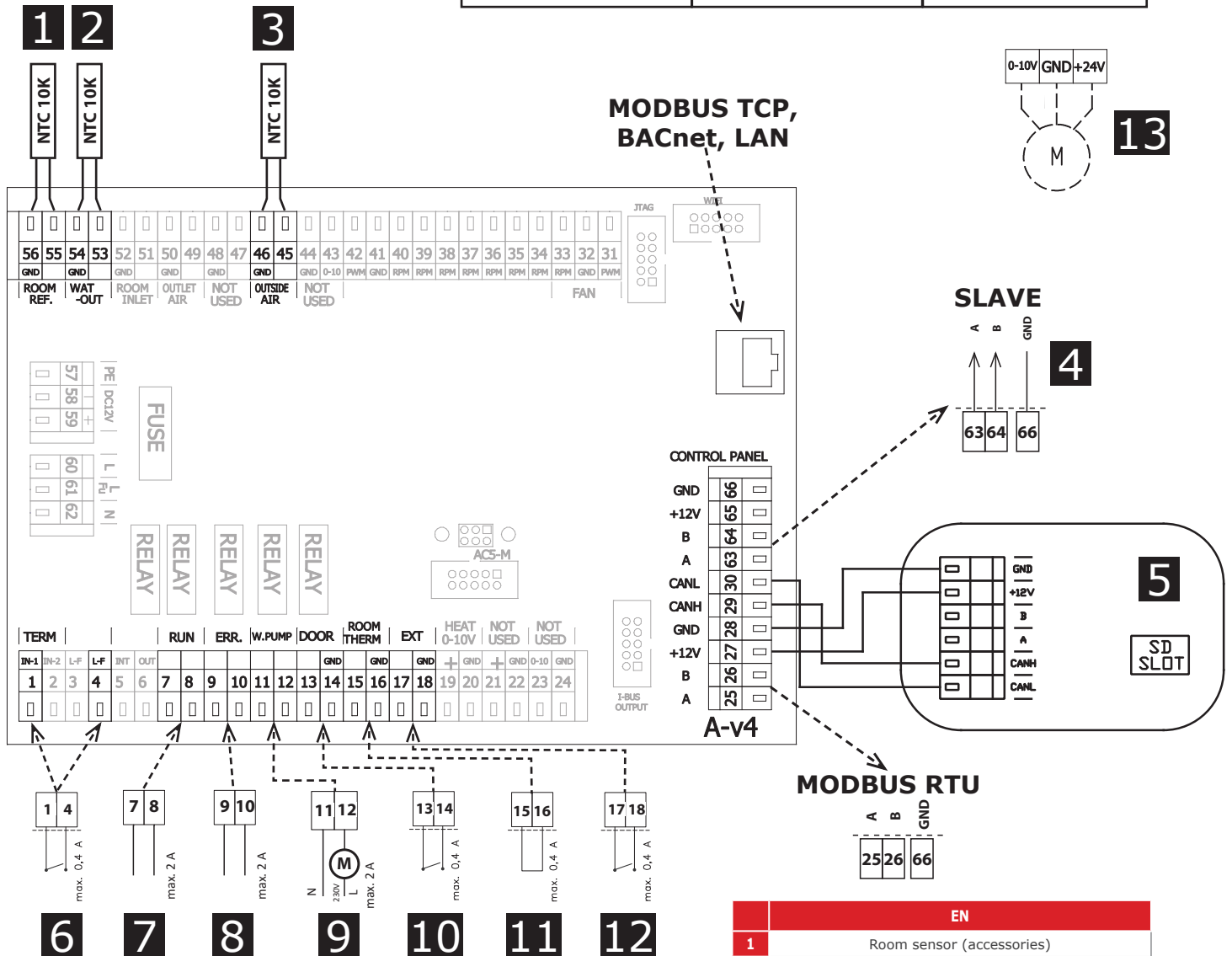
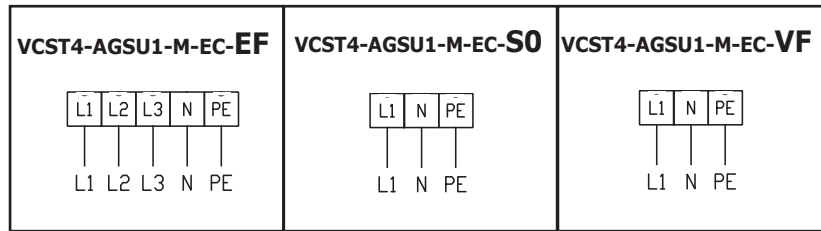
| 6 | |
|-------|-----|
| SLAVE | BCD |
| 1 | 1 |
| 2 | 2 |
| 3 | 3 |
| 4 | 4 |
| 5 | 5 |
| 6 | 6 |
| 7 | 7 |
| 8 | 8 |
| 9 | 9 |
| 10 | A |



WIRING DIAGRAMS



AirGENIO SUPERIOR MASTER

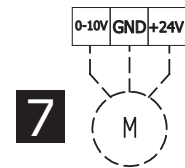
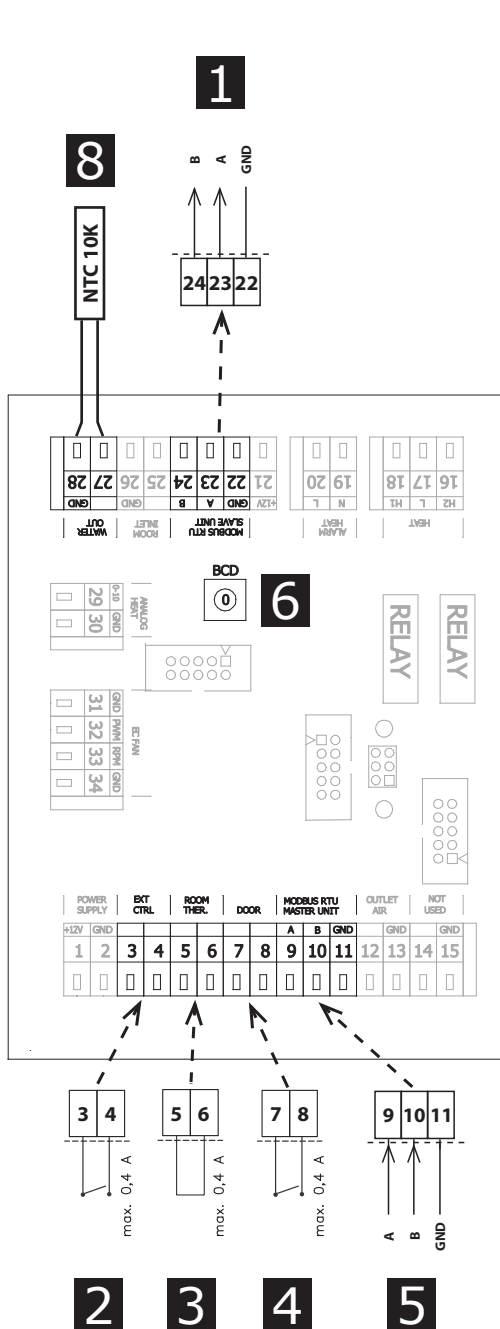
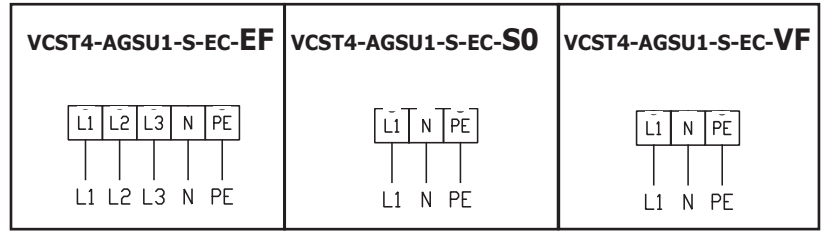


| EN | |
|----|--------------------------------------------|
| 1 | Room sensor (accessories) |
| 2 | Water return sensor (included in delivery) |
| 3 | Outside air sensor (included in delivery) |
| 4 | Signal to SLAVE unit |
| 5 | Control panel |
| 6 | Antifreeze thermostat (NC) |
| 7 | RUN contact (relay contact, NO/NC) |
| 8 | ERROR contact (relay contact, NO/NC) |
| 9 | Water pump (relay contact) |
| 10 | DOOR contact (input, NO/NC) |
| 11 | Room thermostat (input, NO/NC) |
| 12 | External control (input, NO/NC) |
| 13 | Water valve control (0-10V, 24V)* |

* Available for VCST4-AGSU1-M-EC-VF only

WIRING DIAGRAMS

AirGENIO SUPERIOR SLAVE



| EN | |
|----|--------------------------------------------|
| 1 | Signal to SLAVE unit |
| 2 | External control - ON/OFF |
| 3 | Room thermostat (input) |
| 4 | DOOR contact (input) |
| 5 | Signal from MASTER unit |
| 6 | Address of the slave air curtain |
| 7 | Water valve control (0-10V, 24V)* |
| 8 | Water return sensor (included in delivery) |

* Available for VCST4-AGSU1-S-EC-VF only

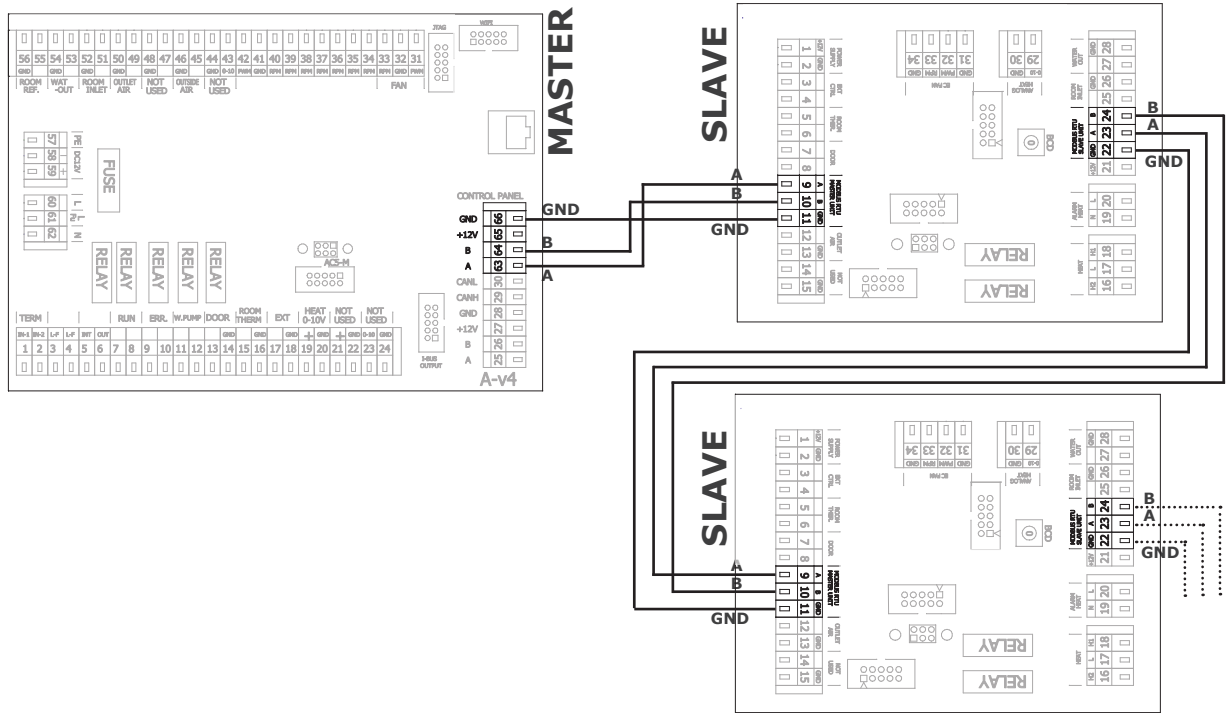
6

| SLAVE | BCD |
|-------|-----|
| 1 | 1 |
| 2 | 2 |
| 3 | 3 |
| 4 | 4 |
| 5 | 5 |
| 6 | 6 |
| 7 | 7 |
| 8 | 8 |
| 9 | 9 |
| 10 | A |



WIRING DIAGRAMS

Chaining



AirGENIO COMFORT

