



air-only



water heater



electric wire heater



BASIC FEATURES

FINESSE EC is a discrete and high-performance recessed air curtain powered by energy-efficient EC fans. The recessed construction makes it unobtrusive and fits perfectly in entrance areas of **banks, administrative centres, luxury boutiques, shopping centres** and **airport halls** with a recommended installation height up to 5 m*.

**Maximum recommended installation height – may vary according the particular conditions at the installation site.*

- Length: 1,0; 1,5; 2,0 and 2,5 m
- **Airflow up to 6.600 m³/h** (ISO 27 327-1)
- **Energy-efficient** and cost saving **EC fans**
- Very low noise level
- **AirGENIO** modular control (Basic, Comfort, Superior)
- Easy installation and service
- Standard colour RAL 9016 and any RAL on request

The air curtain shall be installed indoors in a dry environment with ambient temperature ranging from 0°C up to +35°C and relative humidity not exceeding 80%. It is designed for conveying air free of rough dust, grease, chemical fumes and other impurities. IP rating of the air curtain is IP20. **The air curtain project shall always be designed by a HVAC engineer designer.**



PRIMARY PARAMETERS

Air curtains with electric heater are fitted with automatic heat thermostat and emergency thermostat with manual reset. Air curtains with LPHW coil are designed for the maximum operating water temperature of +100 °C and maximum operating pressure of 1.6 MPa.

Type	Recommended installation height [m]	Air output [m³/h] *1					
		100%	80%	60%	40%	20%	
VCFI4B100-S0EC	4,0	1950	1850	1650	1400	1000	
VCFI4B150-S0EC		3000	2800	2500	2150	1550	
VCFI4B200-S0EC		4000	3750	3350	2850	2100	
VCFI4B250-S0EC		4900	4550	4150	3500	2450	
VCFI4B100-E1EC		1950	1850	1650	1400	1000	
VCFI4B150-E1EC		3000	2800	2500	2150	1550	
VCFI4B200-E1EC		4000	3750	3350	2850	2100	
VCFI4B250-E1EC		4900	4550	4150	3500	2450	
VCFI4B100-V2EC		1900	1750	1550	1300	950	
VCFI4B150-V2EC		2900	2700	2400	2050	1450	
VCFI4B200-V2EC		3900	3650	3250	2750	2000	
VCFI4B250-V2EC		4750	4400	3950	3250	2400	
VCFI4C100-S0EC		5,0	2800	2600	2400	2150	1750
VCFI4C150-S0EC			3850	3550	3200	2700	1950
VCFI4C200-S0EC	4900		4600	4050	3450	2500	
VCFI4C250-S0EC	6600		6300	5200	4400	3250	
VCFI4C100-E1EC	2800		2600	2400	2150	1750	
VCFI4C150-E1EC	3850		3550	3200	2700	1950	
VCFI4C200-E1EC	4900		4600	4050	3450	2500	
VCFI4C250-E1EC	6600		6300	5200	4400	3250	
VCFI4C100-V2EC	2650		2500	2300	2050	1650	
VCFI4C150-V2EC	3750		3500	3100	2600	1900	
VCFI4C200-V2EC	4650		4400	3800	3250	2300	
VCFI4C250-V2EC	6400		6100	5150	4300	3050	
VCFI4C100-V6EC	2450		2300	2100	1900	1500	
VCFI4C150-V6EC	3300		3200	2850	2400	1650	
VCFI4C200-V6EC	4450		4150	3600	3050	2200	
VCFI4C250-V6EC	5900		5600	4750	4000	2800	

*1 Airflow volume according ISO27327-1

*2 Acoustic pressure values at 3 m distance for maximum speed. Directional factor: Q=2.

*3 Sound power (LWA) measurements according to ISO 27327-2.



PRIMARY PARAMETERS

Air curtains with electric heater are fitted with automatic heat thermostat and emergency thermostat with manual reset. Air curtains with LPHW coil are designed for the maximum operating water temperature of +100 °C and maximum operating pressure of 1.6 MPa.

Type	Sound power [dB(A)] ¹					Acoustic pressure at 3 m [dB(A)] ²				
	Fan speed									
	100%	80%	60%	40%	20%	100%	80%	60%	40%	20%
VCFI4B100-S0EC	75	74	71	67	59	54	52	49	46	38
VCFI4B150-S0EC	77	76	73	69	62	55	54	51	47	40
VCFI4B200-S0EC	78	76	74	70	62	56	54	52	48	40
VCFI4B250-S0EC	80	79	76	72	64	58	57	54	50	42
VCFI4B100-E1EC	75	74	71	67	59	54	52	49	46	38
VCFI4B150-E1EC	77	76	73	69	62	55	54	51	47	40
VCFI4B200-E1EC	78	76	74	70	62	56	54	52	48	40
VCFI4B250-E1EC	80	79	76	72	64	58	57	54	50	42
VCFI4B100-V2EC	75	73	71	67	59	54	52	50	46	37
VCFI4B150-V2EC	76	75	72	68	61	55	53	50	47	39
VCFI4B200-V2EC	78	76	73	69	61	56	54	52	48	40
VCFI4B250-V2EC	80	78	75	71	63	58	56	53	49	41
VCFI4C100-S0EC	79	77	75	73	66	58	56	54	51	45
VCFI4C150-S0EC	80	79	76	71	63	58	57	54	49	42
VCFI4C200-S0EC	81	79	77	73	65	59	57	55	51	43
VCFI4C250-S0EC	83	81	78	74	65	61	59	56	52	43
VCFI4C100-E1EC	79	77	75	73	66	58	56	54	51	45
VCFI4C150-E1EC	80	79	76	71	63	58	57	54	49	42
VCFI4C200-E1EC	81	79	77	73	65	59B	57	55	51	43
VCFI4C250-E1EC	83	81	78	74	65	61	59	56	52	43
VCFI4C100-V2EC	78	76	74	71	67	57	55	53	50	45
VCFI4C150-V2EC	80	80	76	71	63	58	58	55	49	42
VCFI4C200-V2EC	80	78	76	72	64	58	56	54	50	42
VCFI4C250-V2EC	82	81	78	74	65	60	59	56	52	43
VCFI4C100-V6EC	78	77	75	71	68	56	56	53	50	47
VCFI4C150-V6EC	80	77	75	73	65	58	56	53	52	43
VCFI4C200-V6EC	80	79	75	72	63	58	57	54	51	42
VCFI4C250-V6EC	81	81	77	72	65	59	59	56	50	43

¹ Sound power (LWA) measurements according to ISO 27327-2.

² Acoustic pressure values at 3 m distance for maximum speed. Directional factor: Q=2.

Type	Heater power output [kW]		Total power input [kW]	Total voltage/current [V/A]	Motors voltage/current [V/A]	Temperature increase Δt [°C]	Frequency [Hz]	Weight [kg] ^{*4}
	1st level	2st level						
VCFI4B100-S0EC	-	-	0,36	230/2,4	230/2,4	-	50/60	30
VCFI4B150-S0EC	-	-	0,54	230/3,5	230/3,5	-	50/60	41
VCFI4B200-S0EC	-	-	0,71	230/4,4	230/4,4	-	50/60	54
VCFI4B250-S0EC	-	-	0,85	230/5,4	230/5,4	-	50/60	63
VCFI4B100-E1EC	4,6	9,4	9,77	400/16	230/2,4	14,7*	50/60	34
VCFI4B150-E1EC	7,6	15	15,54	400/25,2	230/3,5	16*	50/60	45
VCFI4B200-E1EC	9,8	19	19,71	400/31,9	230/4,4	14,9*	50/60	61
VCFI4B250-E1EC	12,5	24,5	25,35	400/40,8	230/5,4	15,5*	50/60	73
VCFI4B100-V2EC	-	-	0,35	230/2,4	230/2,4	6,1 ^{*2}	50/60	34
VCFI4B150-V2EC	-	-	0,52	230/3,3	230/3,3	17,1 ^{*2}	50/60	45
VCFI4B200-V2EC	-	-	0,73	230/4,3	230/4,3	31,4 ^{*2}	50/60	61
VCFI4B250-V2EC	-	-	0,84	230/5,3	230/5,3	43 ^{*2}	50/60	74
VCFI4C100-S0EC	-	-	0,55	230/3,5	230/3,5	-	50/60	33
VCFI4C150-S0EC	-	-	0,72	230/4,4	230/4,4	-	50/60	43
VCFI4C200-S0EC	-	-	0,90	230/5,3	230/5,3	-	50/60	58
VCFI4C250-S0EC	-	-	1,20	230/7,3	230/7,3	-	50/60	67
VCFI4C100-E1EC	4,6	9,4	9,96	400/17	230/3,5	11,6*	50/60	36
VCFI4C150-E1EC	7,6	15	15,72	400/26	230/4,4	12,3*	50/60	48
VCFI4C200-E1EC	9,8	19	19,90	400/32	230/5,3	10*	50/60	65
VCFI4C250-E1EC	12,5	24,5	25,7	400/42	230/7,3	11,4*	50/60	77
VCFI4C100-V2EC	-	-	0,53	230/3,5	230/3,5	34,5 ^{*2}	50/60	36
VCFI4C150-V2EC	-	-	0,71	230/4,2	230/4,2	34,7 ^{*2}	50/60	48
VCFI4C200-V2EC	-	-	0,90	230/5,4	230/5,4	36,7 ^{*2}	50/60	65
VCFI4C250-V2EC	-	-	1,20	230/7,3	230/7,3	36,1 ^{*2}	50/60	78
VCFI4C100-V6EC	-	-	0,53	230/3,4	230/3,4	16 ^{*3}	50/60	41
VCFI4C150-V6EC	-	-	0,71	230/4,4	230/4,4	17 ^{*3}	50/60	58
VCFI4C200-V6EC	-	-	0,85	230/5,3	230/5,3	17 ^{*3}	50/60	77
VCFI4C250-V6EC	-	-	1,18	230/7,3	230/7,3	17 ^{*3}	50/60	95

* At the maximum air flow and maximum heater power.
^{*2} Intake air temperature +18°C, water temperature gradient of 90/70 °C and highest fan speed.
^{*3} Intake air temperature +18°C, water temperature gradient of 40/30 °C and highest fan speed.
^{*4} Weight without controls.

LPHW coil parameters for water temperature gradient 90/70 °C

Type	Air output	Heat output	Temperature at exhaust	Pressure loss	Water flow
	[m³/h]	[kW]	[°C]	[kPa]	[l/s]
VCFI4B100-V2EC	1900	22,8	53,5	11,6	0,28
VCFI4B150-V2EC	2900	35,0	53,7	12,1	0,43
VCFI4B200-V2EC	3900	47,2	53,8	14,0	0,58
VCFI4B250-V2EC	4750	58,0	54,1	22,0	0,71
VCFI4C100-V2EC	2650	27,6	48,8	16,5	0,34
VCFI4C150-V2EC	3750	40,6	50,0	16,0	0,50
VCFI4C200-V2EC	4650	52,3	51,3	17,0	0,64
VCFI4C250-V2EC	6400	68,8	49,8	30,5	0,85

* Temperature of intake air: +18 °C



LPHW coil parameters for water temperature gradient 80/60 °C

Type	Air output	Heat output	Temperature at exhaust	Pressure loss	Water flow
	[m³/h]	[kW]	[°C]	[kPa]	[l/s]
VCFI4B100-V2EC	1900	18,6	47,0	8,1	0,23
VCFI4B150-V2EC	2900	28,6	47,2	8,4	0,35
VCFI4B200-V2EC	3900	38,6	47,3	9,7	0,47
VCFI4B250-V2EC	4750	47,6	47,7	15,4	0,58
VCFI4C100-V2EC	2650	22,4	43,1	11,4	0,27
VCFI4C150-V2EC	3750	33,1	44,1	11,1	0,41
VCFI4C200-V2EC	4650	42,7	45,2	11,7	0,52
VCFI4C250-V2EC	6400	56,3	44,1	21,1	0,69

* Temperature of intake air: +18 °C

LPHW coil parameters for water temperature gradient 70/50 °C

Type	Air output	Heat output	Temperature at exhaust	Pressure loss	Water flow
	[m³/h]	[kW]	[°C]	[kPa]	[l/s]
VCFI4B100-V2EC	1900	14,4	40,4	5,1	0,17
VCFI4B150-V2EC	2900	22,2	40,6	5,3	0,27
VCFI4B200-V2EC	3900	29,9	40,7	6,1	0,36
VCFI4B250-V2EC	4750	37,1	41,2	9,8	0,45
VCFI4C100-V2EC	2650	17,3	37,3	7,1	0,21
VCFI4C150-V2EC	3750	25,5	38,2	6,9	0,31
VCFI4C200-V2EC	4650	33,0	39,0	7,3	0,4
VCFI4C250-V2EC	6400	43,8	38,3	13,4	0,54

* Temperature of intake air: +18 °C

LPHW coil parameters for water temperature gradient 60/40 °C

Type	Air output	Heat output	Temperature at exhaust	Pressure loss	Water flow
	[m³/h]	[kW]	[°C]	[kPa]	[l/s]
VCFI4B100-V2EC	1900	10,1	33,8	2,7	0,12
VCFI4B150-V2EC	2900	15,6	33,9	2,8	0,18
VCFI4B200-V2EC	3900	21,1	34,0	3,2	0,25
VCFI4B250-V2EC	4750	26,5	34,5	5,3	0,32
VCFI4C100-V2EC	2650	12,1	31,5	3,7	0,15
VCFI4C150-V2EC	3750	17,9	32,1	3,6	0,22
VCFI4C200-V2EC	4650	23,2	32,8	3,8	0,28
VCFI4C250-V2EC	6400	31,1	32,4	7,2	0,37

* Temperature of intake air: +18 °C

LPHW coil parameters for water temperature gradient 40/30 °C

Type	Air output	Heat output	Temperature at exhaust	Pressure loss	Water flow
	[m ³ /h]	[kW]	[°C]	[kPa]	[l/s]
VCFI4C100-V6EC	2450	13,2	34,0	13,9	0,32
VCFI4C150-V6EC	3300	18,7	34,8	15,9	0,45
VCFI4C200-V6EC	4450	24,9	34,6	14,1	0,6
VCFI4C250-V6EC	5900	32,9	34,5	25,7	0,79

* Temperature of intake air: +18 °C

LPHW coil parameters for water temperature gradient 35/25 °C

Type	Air output	Heat output	Temperature at exhaust	Pressure loss	Water flow
	[m ³ /h]	[kW]	[°C]	[kPa]	[l/s]
VCFI4C100-V6EC	2450	8,9	28,8	6,9	0,77
VCFI4C150-V6EC	3300	12,8	29,5	8,1	1,11
VCFI4C200-V6EC	4450	16,9	29,3	7,0	1,47
VCFI4C250-V6EC	5900	22,5	29,3	12,9	1,95

* Temperature of intake air: +18 °C



Recommended mixing points for LPHW coil 3-way valve

Type	Control module	90/70 °C	80/60 °C	70/50 °C	60/40 °C
		3-way valve			
VCFI4B100-V2EC	BASIC	ZV3-230-04,0-20	ZV3-230-04,0-20	ZV3-230-04,0-20	ZV3-230-04,0-20
		RT-3-07	RT-3-07	RT-3-07	RT-3-07
	COMFORT	ZV3-024-04,0-20	ZV3-024-04,0-20	ZV3-024-04,0-20	ZV3-024-04,0-20
	SUPERIOR	ZV3-024-04,0-20	ZV3-024-04,0-20	ZV3-024-04,0-20	ZV3-024-04,0-20
VCFI4B150-V2EC	BASIC	ZV3-230-04,0-20	ZV3-230-04,0-20	ZV3-230-04,0-20	ZV3-230-04,0-20
		RT-3-07	RT-3-07	RT-3-07	RT-3-07
	COMFORT	ZV3-024-04,0-20	ZV3-024-04,0-20	ZV3-024-04,0-20	ZV3-024-04,0-20
	SUPERIOR	ZV3-024-04,0-20	ZV3-024-04,0-20	ZV3-024-04,0-20	ZV3-024-04,0-20
VCFI4B200-V2EC	BASIC	ZV3-230-21,0-20	ZV3-230-21,0-20	ZV3-230-21,0-20	ZV3-230-21,0-20
		RT-3-07	RT-3-07	RT-3-07	RT-3-07
	COMFORT	ZV3-024-06,3-20	ZV3-024-06,3-20	ZV3-024-06,3-20	ZV3-024-06,3-20
	SUPERIOR	ZV3-024-06,3-20	ZV3-024-06,3-20	ZV3-024-06,3-20	ZV3-024-06,3-20
VCFI4B250-V2EC	BASIC	ZV3-230-21,0-20	ZV3-230-21,0-20	ZV3-230-21,0-20	ZV3-230-21,0-20
		RT-3-07	RT-3-07	RT-3-07	RT-3-07
	COMFORT	ZV3-024-06,3-20	ZV3-024-06,3-20	ZV3-024-06,3-20	ZV3-024-06,3-20
	SUPERIOR	ZV3-024-06,3-20	ZV3-024-06,3-20	ZV3-024-06,3-20	ZV3-024-06,3-20
VCFI4C100-V2EC	BASIC	ZV3-230-04,0-20	ZV3-230-04,0-20	ZV3-230-04,0-20	ZV3-230-04,0-20
		RT-3-07	RT-3-07	RT-3-07	RT-3-07
	COMFORT	ZV3-024-04,0-20	ZV3-024-04,0-20	ZV3-024-04,0-20	ZV3-024-04,0-20
	SUPERIOR	ZV3-024-04,0-20	ZV3-024-04,0-20	ZV3-024-04,0-20	ZV3-024-04,0-20
VCFI4C150-V2EC	BASIC	ZV3-230-04,0-20	ZV3-230-04,0-20	ZV3-230-04,0-20	ZV3-230-04,0-20
		RT-3-07	RT-3-07	RT-3-07	RT-3-07
	COMFORT	ZV3-024-04,0-20	ZV3-024-04,0-20	ZV3-024-04,0-20	ZV3-024-04,0-20
	SUPERIOR	ZV3-024-04,0-20	ZV3-024-04,0-20	ZV3-024-04,0-20	ZV3-024-04,0-20
VCFI4C200-V2EC	BASIC	ZV3-230-21,0-20	ZV3-230-21,0-20	ZV3-230-21,0-20	ZV3-230-21,0-20
		RT-3-07	RT-3-07	RT-3-07	RT-3-07
	COMFORT	ZV3-024-06,3-20	ZV3-024-06,3-20	ZV3-024-06,3-20	ZV3-024-06,3-20
	SUPERIOR	ZV3-024-06,3-20	ZV3-024-06,3-20	ZV3-024-06,3-20	ZV3-024-06,3-20
VCFI4C250-V2EC	BASIC	ZV3-230-21,0-20	ZV3-230-21,0-20	ZV3-230-21,0-20	ZV3-230-21,0-20
		RT-3-07	RT-3-07	RT-3-07	RT-3-07
	COMFORT	ZV3-024-06,3-20	ZV3-024-06,3-20	ZV3-024-06,3-20	ZV3-024-06,3-20
	SUPERIOR	ZV3-024-06,3-20	ZV3-024-06,3-20	ZV3-024-06,3-20	ZV3-024-06,3-20

Type	Control module	40/30 °C	35/25 °C
		3-way valve	
VCFI4C100-V6EC	BASIC	ZV3-230-04,0-20	ZV3-230-04,0-20
		RT-3-07	RT-3-07
	COMFORT	ZV3-024-04,0-20	ZV3-024-04,0-20
	SUPERIOR	ZV3-024-04,0-20	ZV3-024-04,0-20
VCFI4C150-V6EC	BASIC	ZV3-230-04,0-20	ZV3-230-04,0-20
		RT-3-07	RT-3-07
	COMFORT	ZV3-024-04,0-20	ZV3-024-04,0-20
	SUPERIOR	ZV3-024-04,0-20	ZV3-024-04,0-20
VCFI4C200-V6EC	BASIC	ZV3-230-04,0-20	ZV3-230-04,0-20
		RT-3-07	RT-3-07
	COMFORT	ZV3-024-06,3-20	ZV3-024-06,3-20
	SUPERIOR	ZV3-024-06,3-20	ZV3-024-06,3-20
VCFI4C250-V6EC	BASIC	ZV3-230-21,0-20	ZV3-230-04,0-20
		RT-3-07	RT-3-07
	COMFORT	ZV3-024-06,3-20	ZV3-024-06,3-20
	SUPERIOR	ZV3-024-06,3-20	ZV3-024-06,3-20

Recommended mixing points for LPHW coil 2-way valve

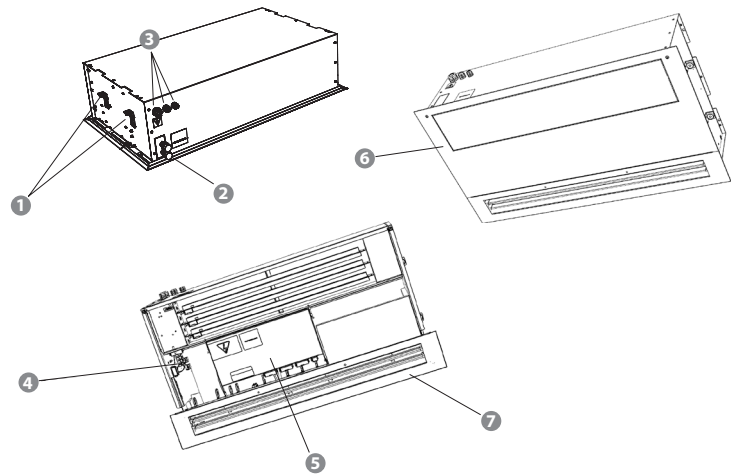
Type	Control module	90/70 °C	80/60 °C	70/50 °C	60/40 °C
		2-way valve			
VCFI4B100-V2	BASIC	ZV2-230-08,0-20	ZV2-230-08,0-20	ZV2-230-08,0-20	ZV2-230-08,0-20
	COMFORT	ZV2-024-08,0-20	ZV2-024-08,0-20	ZV2-024-08,0-20	ZV2-024-08,0-20
	SUPERIOR	ZV2-024-08,0-20	ZV2-024-08,0-20	ZV2-024-08,0-20	ZV2-024-08,0-20
VCFI4B150-V2	BASIC	ZV2-230-08,0-20	ZV2-230-08,0-20	ZV2-230-08,0-20	ZV2-230-08,0-20
	COMFORT	ZV2-024-08,0-20	ZV2-024-08,0-20	ZV2-024-08,0-20	ZV2-024-08,0-20
	SUPERIOR	ZV2-024-08,0-20	ZV2-024-08,0-20	ZV2-024-08,0-20	ZV2-024-08,0-20
VCFI4B200-V2	BASIC	ZV2-230-08,0-20	ZV2-230-08,0-20	ZV2-230-08,0-20	ZV2-230-08,0-20
	COMFORT	ZV2-024-08,0-20	ZV2-024-08,0-20	ZV2-024-08,0-20	ZV2-024-08,0-20
	SUPERIOR	ZV2-024-08,0-20	ZV2-024-08,0-20	ZV2-024-08,0-20	ZV2-024-08,0-20
VCFI4B250-V2	BASIC	ZV2-230-08,0-20	ZV2-230-08,0-20	ZV2-230-08,0-20	ZV2-230-08,0-20
	COMFORT	ZV2-024-08,0-20	ZV2-024-08,0-20	ZV2-024-08,0-20	ZV2-024-08,0-20
	SUPERIOR	ZV2-024-08,0-20	ZV2-024-08,0-20	ZV2-024-08,0-20	ZV2-024-08,0-20
VCFI4C100-V2	BASIC	ZV2-230-08,0-20	ZV2-230-08,0-20	ZV2-230-08,0-20	ZV2-230-08,0-20
	COMFORT	ZV2-024-08,0-20	ZV2-024-08,0-20	ZV2-024-08,0-20	ZV2-024-08,0-20
	SUPERIOR	ZV2-024-08,0-20	ZV2-024-08,0-20	ZV2-024-08,0-20	ZV2-024-08,0-20
VCFI4C150-V2	BASIC	ZV2-230-08,0-20	ZV2-230-08,0-20	ZV2-230-08,0-20	ZV2-230-08,0-20
	COMFORT	ZV2-024-08,0-20	ZV2-024-08,0-20	ZV2-024-08,0-20	ZV2-024-08,0-20
	SUPERIOR	ZV2-024-08,0-20	ZV2-024-08,0-20	ZV2-024-08,0-20	ZV2-024-08,0-20
VCFI4C200-V2	BASIC	ZV2-230-08,0-20	ZV2-230-08,0-20	ZV2-230-08,0-20	ZV2-230-08,0-20
	COMFORT	ZV2-024-08,0-20	ZV2-024-08,0-20	ZV2-024-08,0-20	ZV2-024-08,0-20
	SUPERIOR	ZV2-024-08,0-20	ZV2-024-08,0-20	ZV2-024-08,0-20	ZV2-024-08,0-20
VCFI4C250-V2	BASIC	ZV2-230-08,0-20	ZV2-230-08,0-20	ZV2-230-08,0-20	ZV2-230-08,0-20
	COMFORT	ZV2-024-08,0-20	ZV2-024-08,0-20	ZV2-024-08,0-20	ZV2-024-08,0-20
	SUPERIOR	ZV2-024-08,0-20	ZV2-024-08,0-20	ZV2-024-08,0-20	ZV2-024-08,0-20

Type	Control module	40/30 °C	35/25 °C
		2-way valve	
VCFI4C100-V6	BASIC	ZV2-230-08,0-20	ZV2-230-08,0-20
	COMFORT	ZV2-024-08,0-20	ZV2-024-08,0-20
	SUPERIOR	ZV2-024-08,0-20	ZV2-024-08,0-20
VCFI4C150-V6	BASIC	ZV2-230-08,0-20	ZV2-230-08,0-20
	COMFORT	ZV2-024-08,0-20	ZV2-024-08,0-20
	SUPERIOR	ZV2-024-08,0-20	ZV2-024-08,0-20
VCFI4C200-V6	BASIC	ZV2-230-08,0-20	ZV2-230-08,0-20
	COMFORT	ZV2-024-08,0-20	ZV2-024-08,0-20
	SUPERIOR	ZV2-024-08,0-20	ZV2-024-08,0-20
VCFI4C250-V6	BASIC	ZV2-230-08,0-20	ZV2-230-08,0-20
	COMFORT	ZV2-024-08,0-20	ZV2-024-08,0-20
	SUPERIOR	ZV2-024-08,0-20	ZV2-024-08,0-20

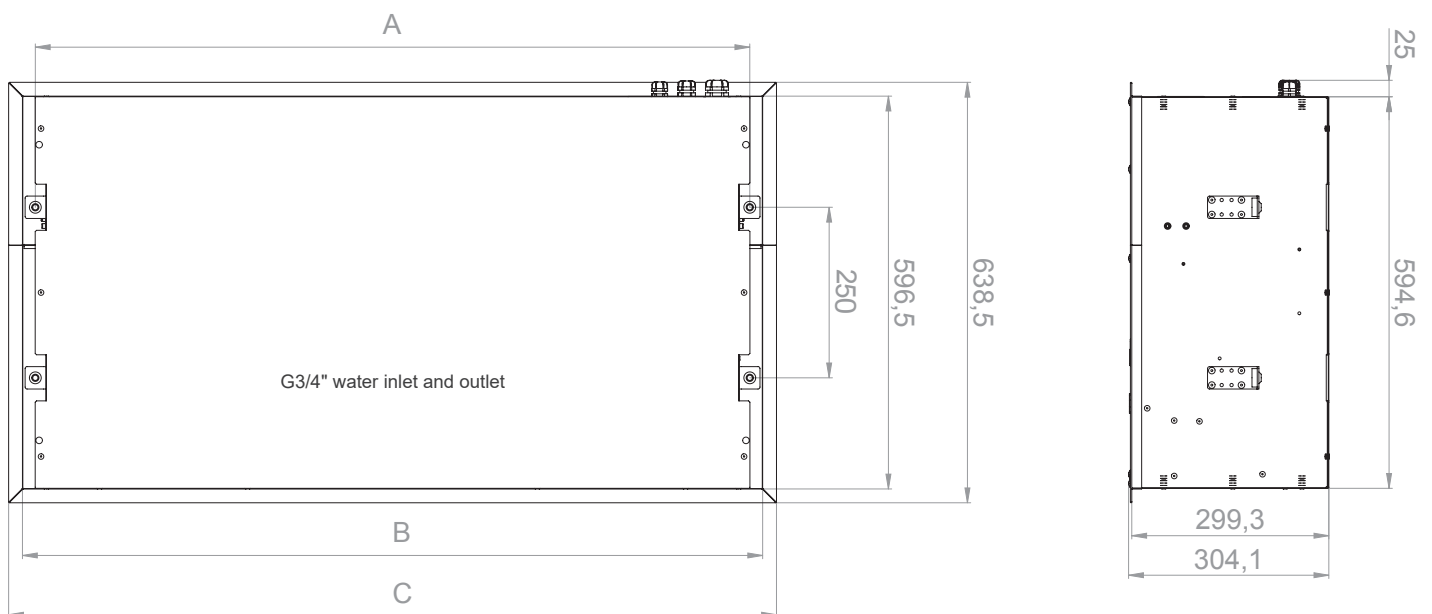


MAIN PARTS

- ① Suspension holders
- ② Water coil connection 3/4"
- ③ Power supply cable plug
- ④ Power supply connectors and fuse location
- ⑤ Control modul socket
- ⑥ Inlet face cover
- ⑦ Outlet grid



DIMENSIONS

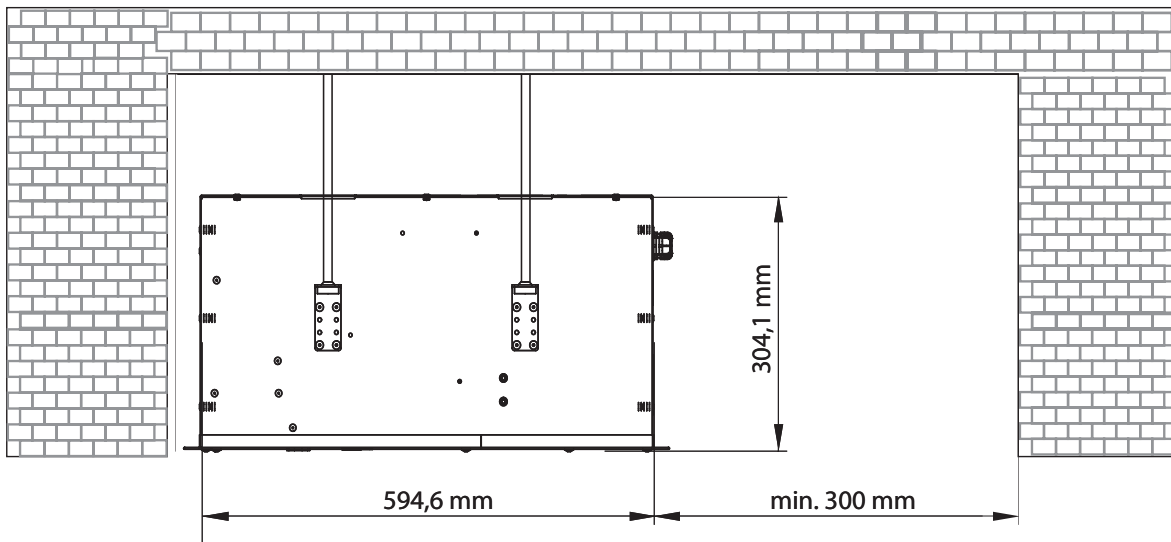


Type	Spacing of installation holes A [mm]	Width B [mm]
VCST4x100...	994	1054
VCST4x150...	1494	1554
VCST4x-200...	1994	2054
VCST4x-250...	2394	2454



INSTALLATION AND ASSEMBLY

- The air curtain shall be installed in a horizontal position only.
- The air curtain shall be located as close to the top edge of the doorway as possible, see figure.
- To ensure a correct function it is recommended that the air curtain overlaps the doorway by 100 mm on both sides.
- Correct operation of the air curtain requires that specified distances from the surrounding objects are observed, see figure.
- Position of the heating water and power supply connections and service access shall be taken into consideration during installation.
- Suspension holders are used for installing the air curtains see ACCESSORIES.
- The air curtain shall be installed separated from flammable materials and safe operation has to be kept.



CONTROL

The **FINESSE** air curtains are produced with universal interface for control module connection. There are three types of control modules available (BASIC, COMFORT and SUPERIOR). Control module is a mandatory accessory for each air curtain. Additional change of control system is available. Control module is connected with air curtain by quick connection sockets. The basic differences among individual control module types are given in table underneath.



CONTROL

Overview of functions and sensor connections



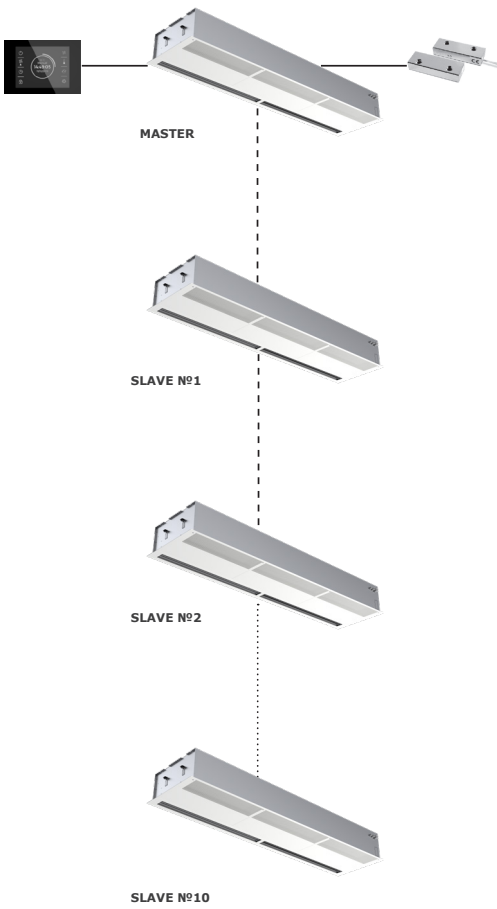
AirGENIO control		BASIC VCST4-AGBA1-M-EC	COMFORT VCST4-AGCO1-M-EC	SUPERIOR VCST4-AGSU1-M-EC
	Type of controller	Manual	Touch screen	Touch screen
	Mode	Manual	Manual / Auto	Manual / Auto
	Control of air output	PWM	PWM	PWM
	Control of electric heater	OFF / Level1 / Level2	OFF / Level1 / Level2	PWM
	Control of water heater	ON/OFF	ON-OFF / 0-10V	0-10V
	Antifreeze protection of LPHW	NO	YES	YES
	Possibility of connecting a door contact	YES	YES	YES
	External control	NO	YES	YES
	Temperature measurement	NO	YES (NTC)*	YES (NTC)*
	Chaining air curtains	NO	YES – max 10+1 pcs	YES – max 10+1 pcs
	Indication of selected function	NO	YES (Display)	YES (Display)
	Controller connection to air curtain	Power wire + Communication cable (UTP)	Communication cable (UTP)	Communication cable (UTP)
	Self learning mode	NO	YES	YES
	BMS connection	NO	Modbus RTU	Modbus RTU, Modbus TCP, BACnet
	Error contact	NO	YES	YES
	2 nd control panel ready	NO	YES	YES

*) Temperature sensor included in standard. Temperature shown on display.

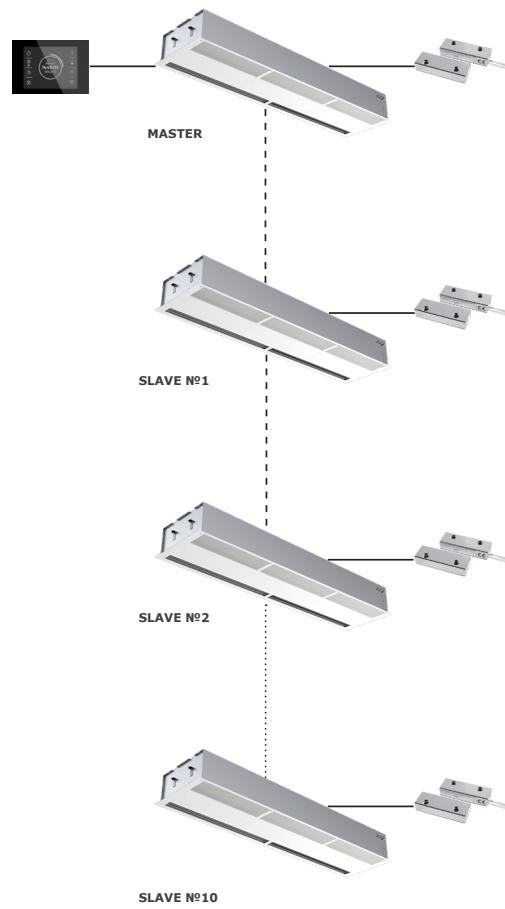


CHAINING EXAMPLE

COMFORT / SUPERIOR
 Global Door contact function active
 (Single door with multiple air curtains)



COMFORT / SUPERIOR
 Global Door contact function not active
 (Multiple doors with own door contact)





ACCESSORIES

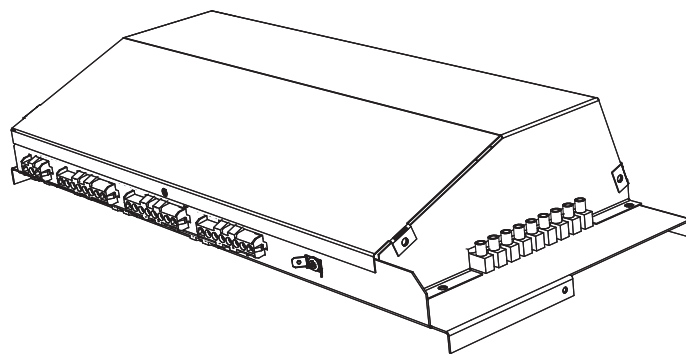
REQUIRED ACCESSORIES

These accessories shall be ordered to make the air curtain functional.

AirGENIO control module

A control module is a required accessory for air curtain and shall be ordered for each air curtain. Control panel is included in delivery of control module. The ordering key for control modules is provided below.

Communication cable has to be ordered separately as an optional accessorie.



VCST4 - AGCO1 - M- EC - S0 - OA0

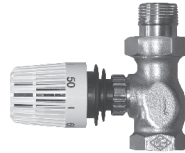
- OA0** – 2VV version
- S0** – Without heating
- E2** – Electric heater 2-STEP control (BASIC, COMFORT)
- EF** – Electric heater FLUENT control (SUPERIOR)
- V1** – Water heater ON/OFF control (BASIC)
- VF** – Water heater FLUENT control (SUPERIOR)
- VC** – Water heater control with choice of ON/OFF or 0-10V (COMFORT)
- EC** – For EC fans
- S** – SLAVE controls (only for COMFORT, SUPERIOR)
- M** – MASTER controls (only for COMFORT, SUPERIOR)
- AGBA1** - AirGENIO BASIC 1st generation (mechanical)
- AGCO1** - AirGENIO COMFORT 1st generation (touch screen)
- AGSU1** - AirGENIO SUPERIOR 1st generation (touch screen)
- VCST4** – Air curtain STANDESSE / FINESSE



OPTIONAL ACCESSORIES

More details can be found on the relevant page in this catalogue

Thermostatic valve TV-1-1/1
TV-1-1/1



2-way or 3-way valve with servo drive (230V)
ZV2-230-xx,x-xx
ZV3-230-xx,x-xx
(for BASIC and COMFORT control)



3-way valve with servo drive RT
RT-3-07 (K_{vs} 07)
(for BASIC and COMFORT control)



2-way or 3-way valve with servo drive (0-10V)
ZV2-024-xx,x-xx
ZV3-024-xx,x-xx
(for COMFORT and SUPERIOR control)



Room thermostat
TER-P
(for BASIC control)



Room temperature sensor for wall installation
CT-ROOM
(for COMFORT and SUPERIOR control)

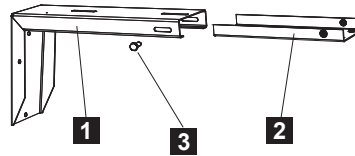




Wall mounting bracket

Bracket designed for mounting the air curtain to the wall.

- 1 Bracket
- 2 Hanging strip
- 3 Securing screw



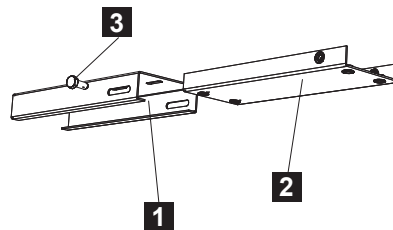
VCS4-KONZ-STE

- for B and C air curtains (2 pcs. in package)
- wall mounting bracket

Ceiling holder

The holder is designed for attaching the air curtain to a ceiling.

- 1 Ceiling bracket
- 2 Hanging strip
- 3 Securing screw



VCS4-KONZ-STR

- for B and C air curtains (2 pcs. in package)
- ceiling holder

Exit sign for marking of emergency exits.

Suitable for all types of air curtains.

VCS4-EXIT



Mechanical industry door switch

DS

Heavy-duty door contact for industry use



Magnetic door contact

Magnetic door contact in metal housing with higher protection against mechanical damage

DK-B-3



2nd Control panel

ND-REMOTE-CONTROL (for control COMFORT, SUPERIOR)



VCFI4-100-FI-G1

- G1** - Coarse 30%
- FI** - Spare air filters
- 100** - Nominal length 1000mm
- 150** - Nominal length 1500mm
- 200** - Nominal length 2000mm
- 250** - Nominal length 2500mm
- VCFI4** - Accessory for FINESSE air curtain

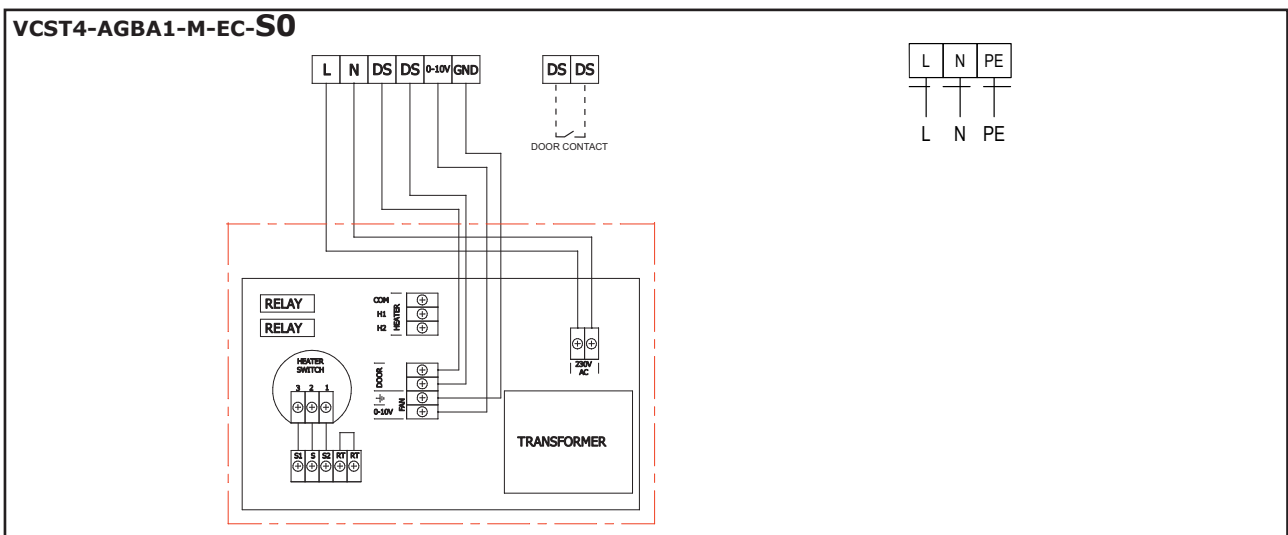
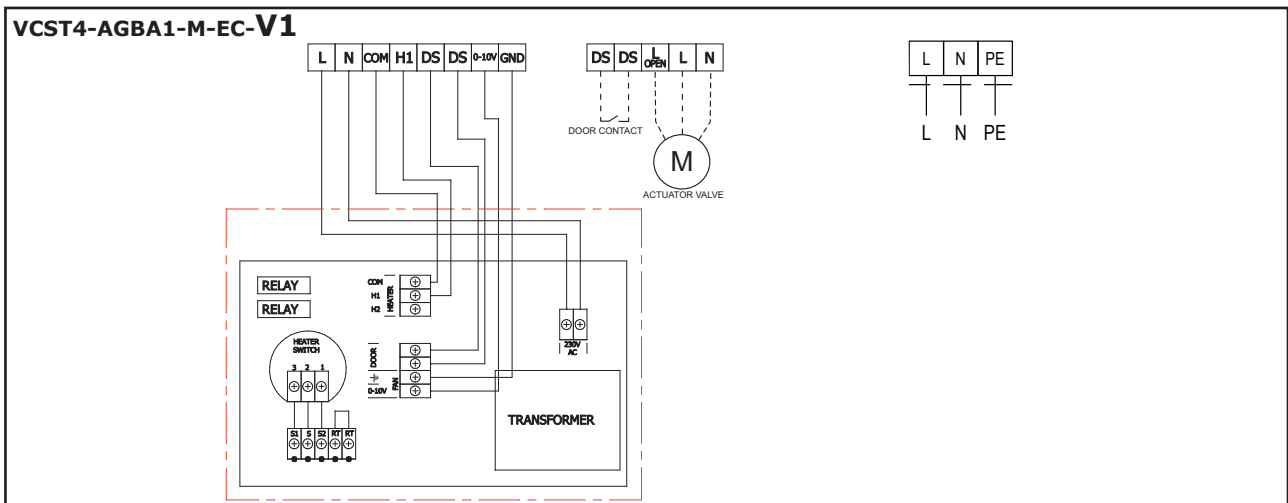
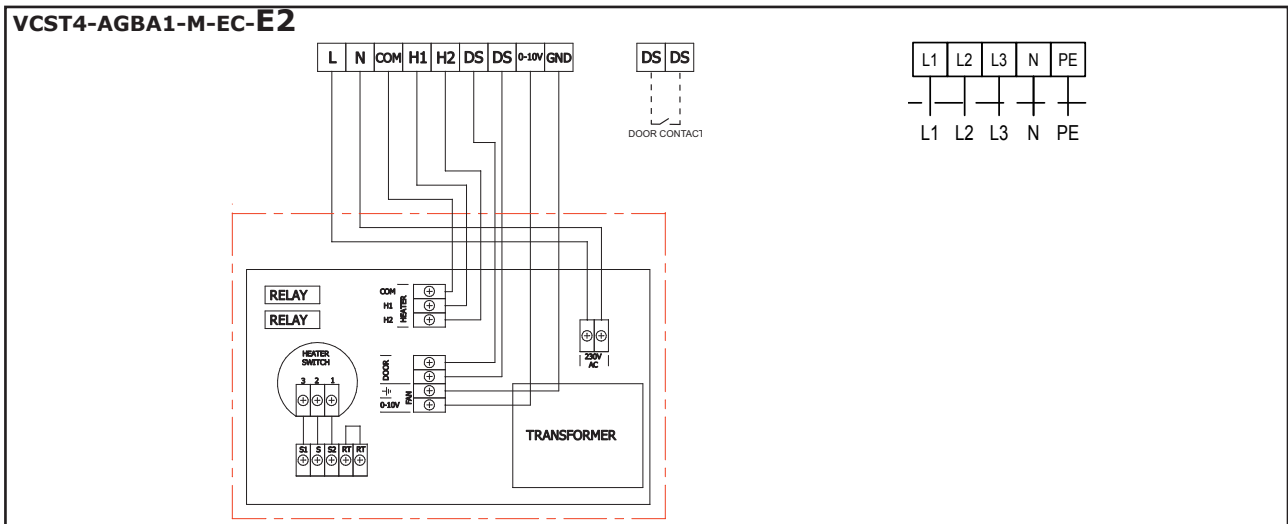




WIRING DIAGRAMS

The recommended cross-section of the main power supply cables is stated in the Instruction Manual. All wiring diagrams provided in the technical catalog are indicative only. When assembling the product, carefully observe the nameplate ratings as well as directions and diagrams affixed directly to the product or enclosed with the product.

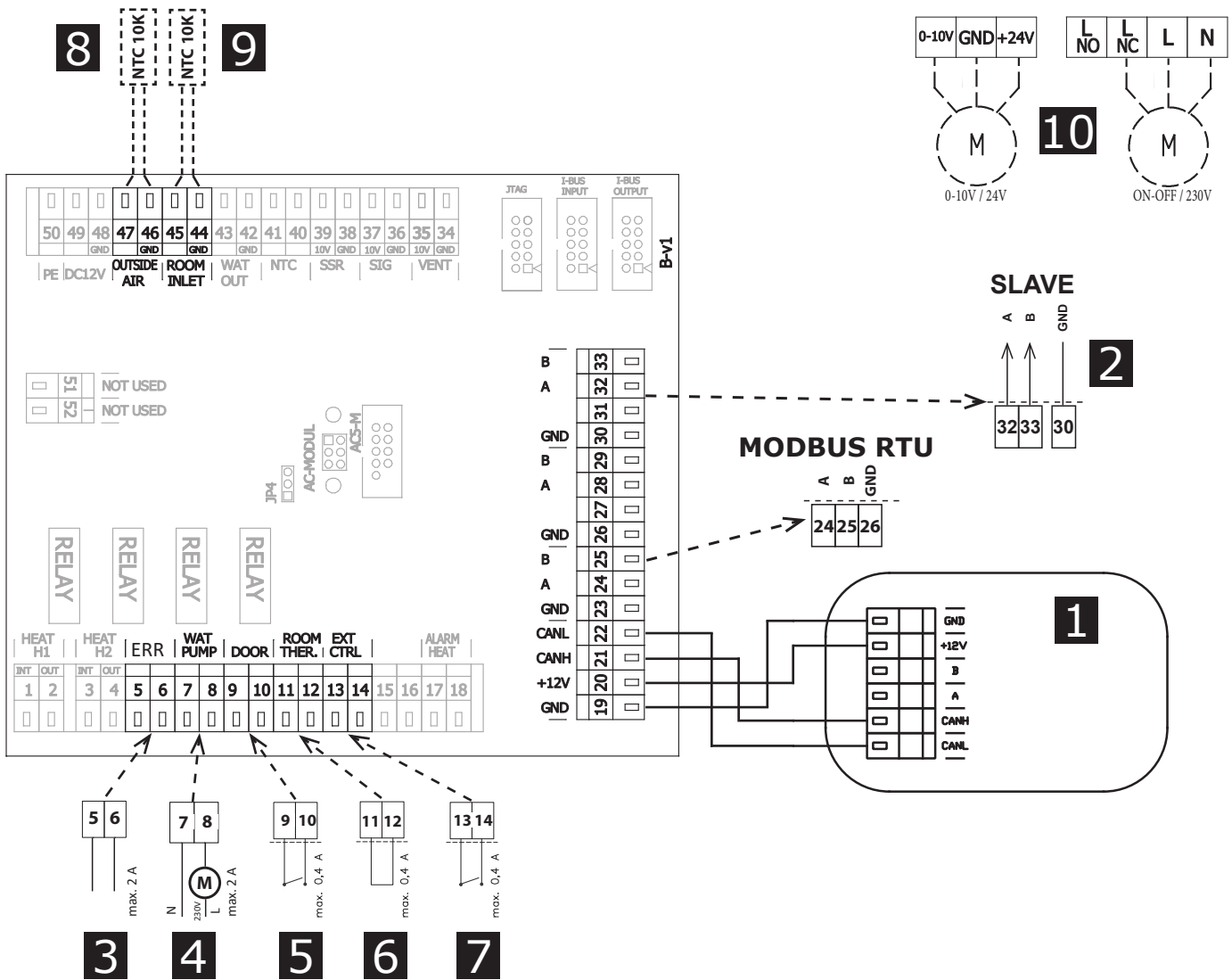
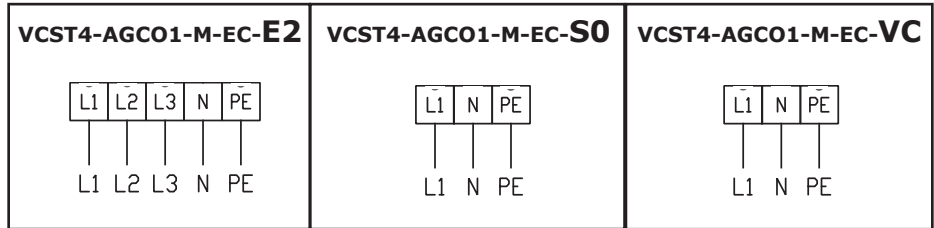
AirGENIO BASIC





WIRING DIAGRAMS

AirGENIO COMFORT MASTER



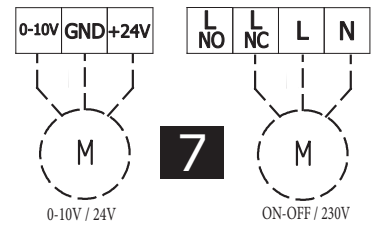
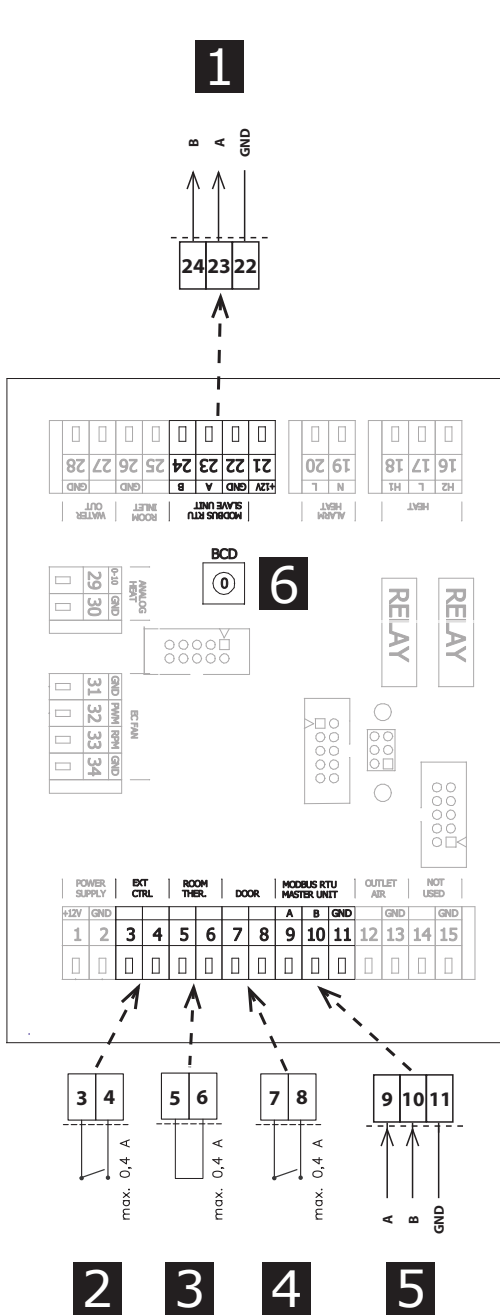
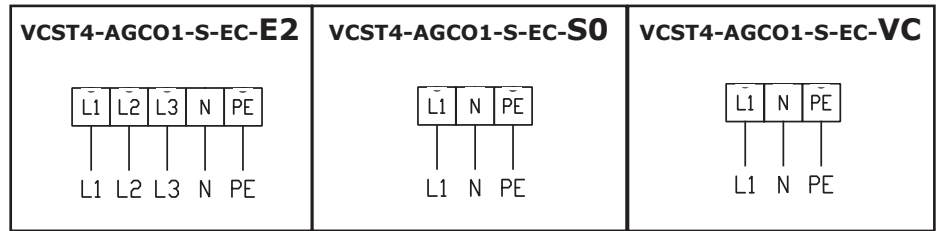
	EN
1	Control panel
2	Signal to SLAVE unit
3	ERROR contact (relay contact, NO/NC)
4	Water pump (relay contact)*
5	DOOR contact (input, NO/NC)
6	Room thermostats (input, NO/NC)
7	External control (input, NO/NC)
8	Outside air temp. sensor (include delivery)
9	Room temp. sensor (include delivery)
10	Water valve control connection (option 1 = ON-OFF, option 2 = 0-10V)*

* Available for VCST4-AGCO1-M-EC-VC only



WIRING DIAGRAMS

AirGENIO COMFORT SLAVE



EN	
1	Signal to SLAVE unit
2	External control - ON/OFF
3	Room thermostat (input)
4	DOOR contact (input)
5	Signal from MASTER unit
6	Address of the slave air curtain
7	Water valve control connection (option 1 = ON-OFF, option 2 = 0-10V)*

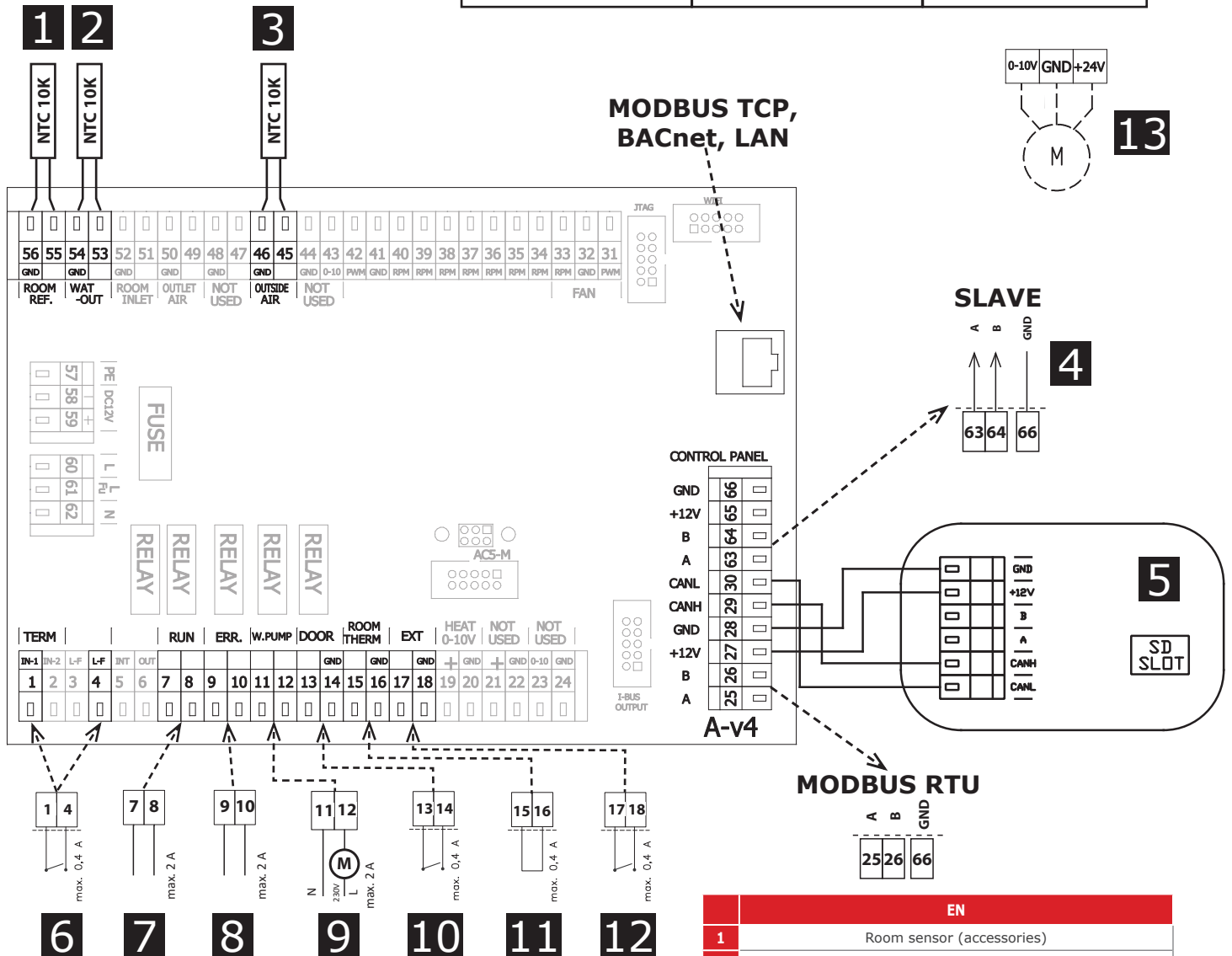
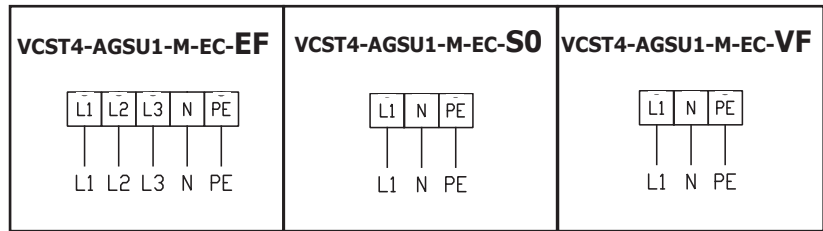
* Available for VCST4-AGCO1-S-EC-VC only

SLAVE	BCD
1	1
2	2
3	3
4	4
5	5
6	6
7	7
8	8
9	9
10	A



WIRING DIAGRAMS

AirGENIO SUPERIOR MASTER



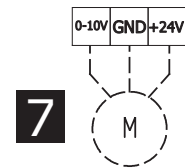
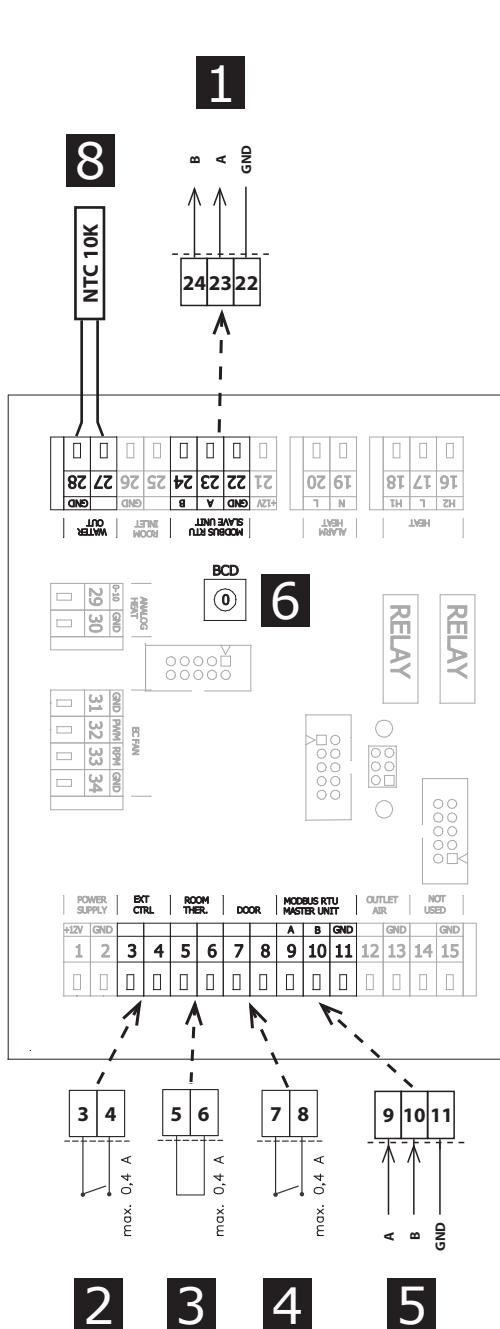
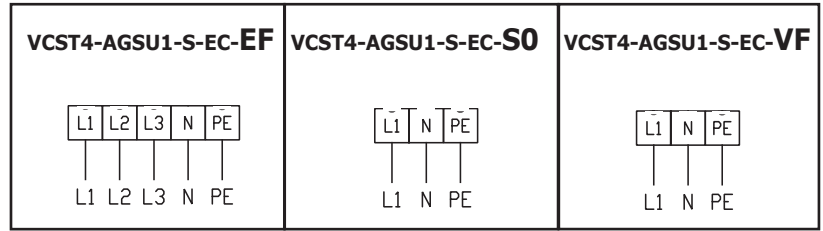
EN	
1	Room sensor (accessories)
2	Water return sensor (included in delivery)
3	Outside air sensor (included in delivery)
4	Signal to SLAVE unit
5	Control panel
6	Antifreeze thermostat (NC)
7	RUN contact (relay contact, NO/NC)
8	ERROR contact (relay contact, NO/NC)
9	Water pump (relay contact)
10	DOOR contact (input, NO/NC)
11	Room thermosat (input, NO/NC)
12	External control (input, NO/NC)
13	Water valve control (0-10V, 24V)*

* Available for VCST4-AGSU1-M-EC-VF only



WIRING DIAGRAMS

AirGENIO SUPERIOR SLAVE



EN	
1	Signal to SLAVE unit
2	External control - ON/OFF
3	Room thermostat (input)
4	DOOR contact (input)
5	Signal from MASTER unit
6	Address of the slave air curtain
7	Water valve control (0-10V, 24V)*
8	Water return sensor (included in delivery)

* Available for VCST4-AGSU1-S-EC-VF only

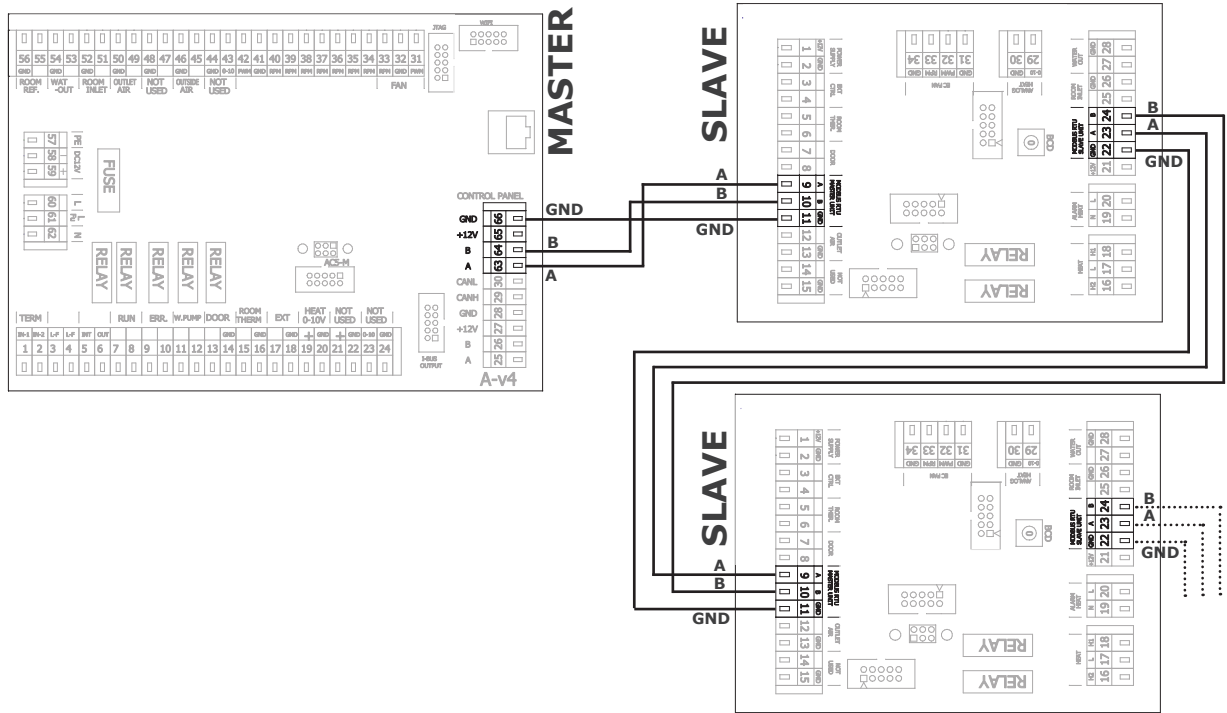
6	
SLAVE	BCD
1	1
2	2
3	3
4	4
5	5
6	6
7	7
8	8
9	9
10	A



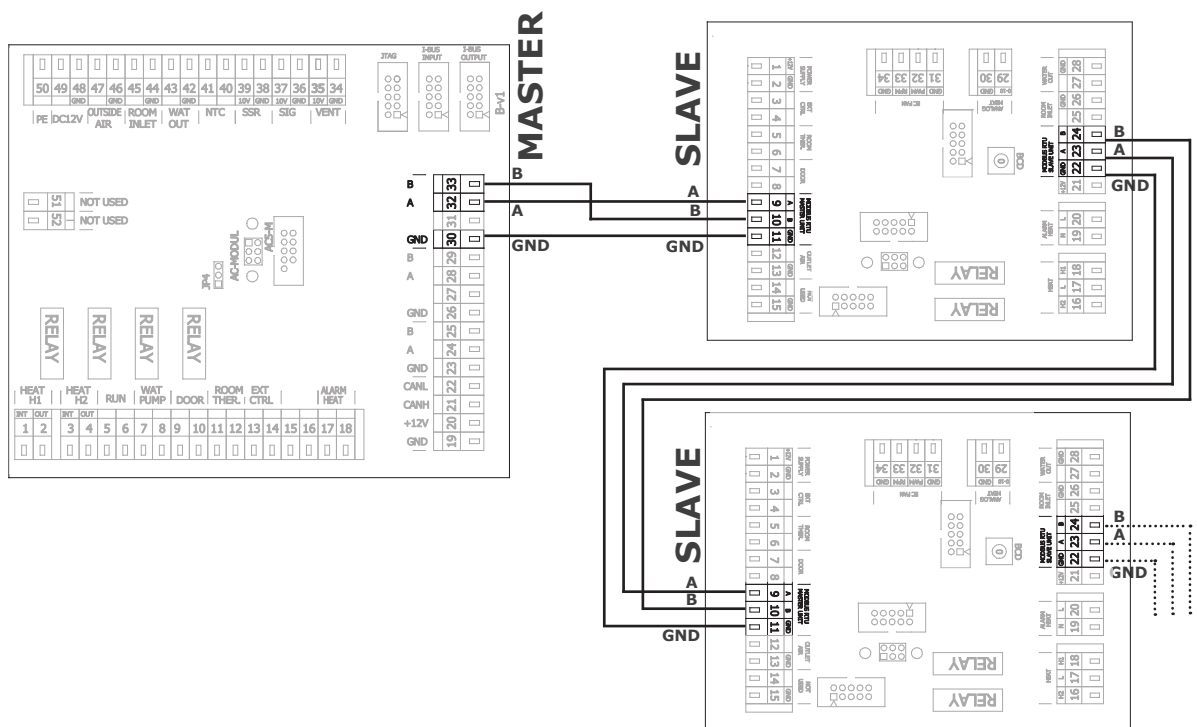
WIRING DIAGRAMS

Chaining

AirGENIO SUPERIOR



AirGENIO COMFORT





KEY TO CODING

VCFI4 B 100 - S0 EC - CR - 0 A0

