

**Tuotetiedot**

|            |  |             |                 |           |                      |
|------------|--|-------------|-----------------|-----------|----------------------|
| Tuotekoodi | <b>VC05-0238</b>                                 | Sähkönumero | <b>1912362</b>  | EAN-koodi | <b>6410019123623</b> |
| Tuotenimi  | OTL-liitin 3xAl/Cu 6-95mm <sup>2</sup> (Sininen) | ETIM-luokka | <b>EC000276</b> |           |                      |
| Johtimet   | 3xAl/Cu 6-95mm <sup>2</sup>                      |             |                 |           |                      |

**Tekniset tiedot**

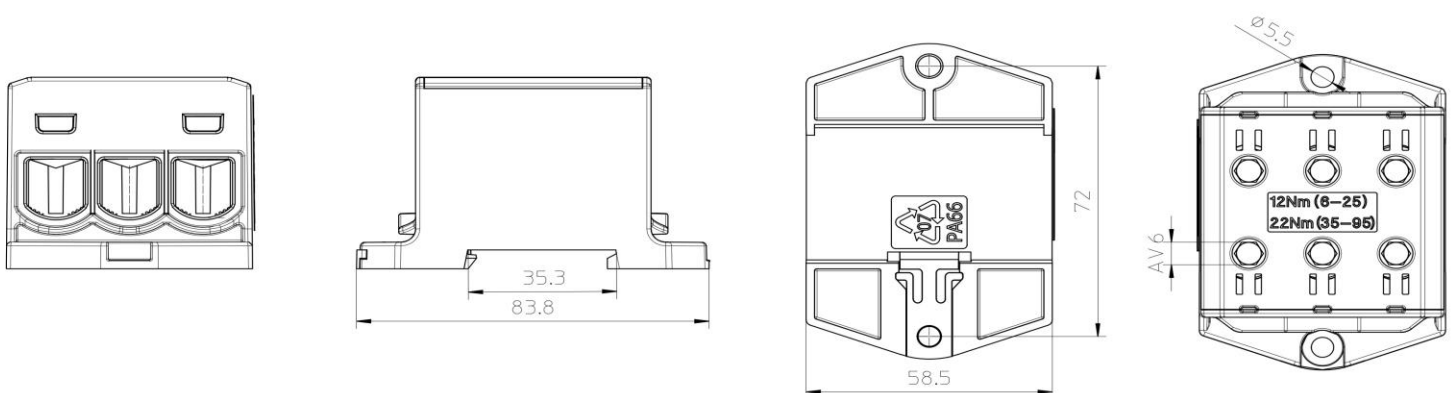
|                       |                                   |             |                 |
|-----------------------|-----------------------------------|-------------|-----------------|
| Nimellisvirta (IEC)   | Cu                                | <b>245</b>  | A               |
|                       | Al                                | <b>220</b>  | A               |
| Nimellisjännite (IEC) |                                   | <b>1000</b> | V               |
| Max. Virta (US)       | Cu                                | <b>230</b>  | A               |
|                       | Al                                | <b>180</b>  | A               |
| Max. Jännite (US)     |                                   | <b>600</b>  | V               |
| Napaluku              |                                   | <b>1</b>    | kpl             |
| Max. Johdinkoko       |                                   | <b>95</b>   | mm <sup>2</sup> |
| Kiristysmomentti      |                                   |             |                 |
|                       | 6-25 mm <sup>2</sup> (3-10 AWG)   | <b>12</b>   | Nm              |
|                       | 35-95 mm <sup>2</sup> (4/0-2 AWG) | <b>22</b>   | Nm              |
|                       |                                   | -           |                 |
|                       |                                   | -           |                 |
| Käyttölämpötila       |                                   | <b>80</b>   | °C              |
| Paino                 |                                   | <b>178</b>  | g               |
| IP-suojaus            |                                   | <b>IP20</b> |                 |


 Standardit **EN 61238-1; EN60947-7-1; UL1059**

 Väri / Materiaali **Sininen RAL 5015/ PA66-V0**

 Kiinnitys / Kytkenä **DIN-kiskokiinnitys ja ruuvikiinnitys M5**
**Kuvaus**

OTL-yleisliittimet ovat tarkoitettu alumiini- ja kuparikaapeleiden liittämiseen ja haaroittamiseen. Liitinrunko on tinapinnoitettua alumiinia. Kotelointi on valmistettu UL94 V0 -luokan polyamidista.

**Mittakuva**

**Pakkaus**

|              |                 |               |            |              |             |
|--------------|-----------------|---------------|------------|--------------|-------------|
| Pakkausmuoto | <b>Laatikko</b> | Kpl / Pakkaus | <b>6</b>   | Paino [kg]   | <b>1,17</b> |
| Pituus [mm]  | <b>202</b>      | Leveys [mm]   | <b>128</b> | Korkeus [mm] | <b>95</b>   |

**Ouneva Oy**

 Teollisuustie 21  
 FI-82730 Tuupovaara  
 Finland

 Tel. +358 400 179 750  
[info@ouneva.fi](mailto:info@ouneva.fi)
[www.ounevagroup.fi](http://www.ounevagroup.fi)  
[www.ounevaproducs.fi](http://www.ounevaproducs.fi)

**Product data**

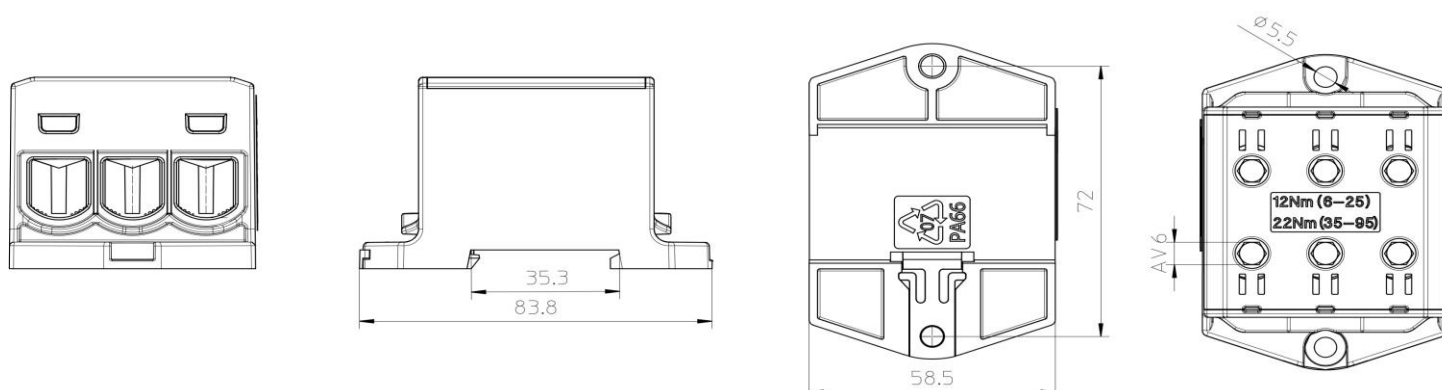
|              |  |          |                |            |                      |
|--------------|--|----------|----------------|------------|----------------------|
| Product code | <b>VC05-0238</b>                                 | STK-code | <b>1912362</b> | EAN-code   | <b>6410019123623</b> |
| Product name | OTL-connector 3xAl/Cu 6-95mm <sup>2</sup> (Blue) |          |                | ETIM class | <b>EC000276</b>      |
| Wires        | 3xAl/Cu 6-95mm <sup>2</sup>                      |          |                |            |                      |

**Technical data**

|                            |   |             |                 |
|----------------------------|---|-------------|-----------------|
| Nominal current (IEC)      | Cu                                      | <b>245</b>  | A               |
|                            | Al                                      | <b>220</b>  | A               |
| Nominal voltage (IEC)      |   | <b>1000</b> | V               |
| Max. Current (US)          | Cu                                      | <b>230</b>  | A               |
|                            | Al                                      | <b>180</b>  | A               |
| Max. Voltage (US)          |   | <b>600</b>  | V               |
| Number of poles            |   | <b>1</b>    | pcs             |
| Max. Cross section         |   | <b>95</b>   | mm <sup>2</sup> |
| Tightening torque          |   |             |                 |
|                            | 6-25 mm <sup>2</sup> (3-10 AWG)         | <b>12</b>   | Nm              |
|                            | 35-95 mm <sup>2</sup> (4/0-2 AWG)       | <b>22</b>   | Nm              |
|                            |   | -           |                 |
|                            |   | -           |                 |
| Max. Operating temperature |   | <b>80</b>   | °C              |
| Weight                     |   | <b>178</b>  | g               |
| IP-protection              |   | <b>IP20</b> |                 |
| Standards                  | <b>EN 61238-1; EN60947-7-1; UL1059</b>  |             |                 |
| Color / Material           | <b>Blue RAL 5015/ PA66-V0</b>           |             |                 |
| Mounting / Connection      | <b>DIN-rail and screw (M5) mounting</b> |             |                 |


**Description**

OTL-connectors are designed for connecting and branching aluminium and copper conductors. The body is made of tin plated aluminium. Housing is made of UL94 V0 class polyamide.

**Drawing**

**Package**

|             |            |               |            |             |             |
|-------------|------------|---------------|------------|-------------|-------------|
| Package     | <b>Box</b> | Pcs / Package | <b>6</b>   | Weight [kg] | <b>1,17</b> |
| Length [mm] | <b>202</b> | Width [mm]    | <b>128</b> | Height [mm] | <b>95</b>   |

**Ouneva Oy**

Teollisuustie 21  
 FI-82730 Tuupovaara  
 Finland

Tel. +358 400 179 750  
[info@ouneva.fi](mailto:info@ouneva.fi)

[www.ounevagroup.fi](http://www.ounevagroup.fi)  
[www.ounevaproducts.fi](http://www.ounevaproducts.fi)