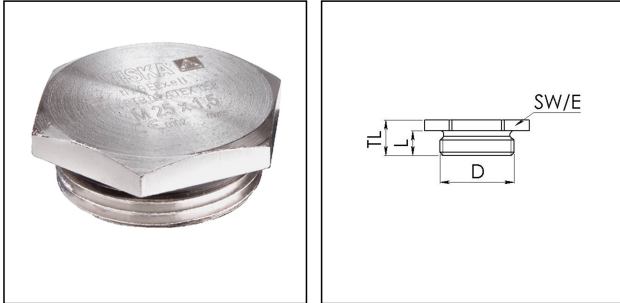


EX-EMVS 20

Ex-stop end, brass, with mounted o-ring



Product illustrations are exemplary and may differ from the chosen product. Further variants and individual customization, we will gladly provide you on request.



Material	Brass nickel-plated
Material sealing gasket	EPDM
Temp. range min	-40 °C
Temp. range max	120 °C
Protection class	IP 68
Marking	II 2 G Ex e IIC Gb, II 2 D Ex tb IIIC Db
Approval	PTB 05 ATEX 1106, IECEx PTB 14.0024
Thread type	M
Connection thread size D	20
Lead	1,5
Length screw-in thread L	6 mm
Key width SW	22 mm
Collar diameter (E)	25 mm
Total length TL	9 mm
Surface	Nickel-plated
Order no. nickel-plated	10065333
Type	EX-EMVS 20
Packing unit	10
ETIM-Classification	EC000032

Recommended accessories

EMMU 20	10063143
----------------	----------

06.08.2015

