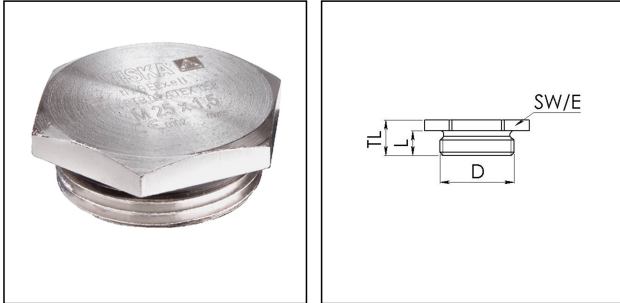


## EX-EMVS 16

Ex-stop end, brass, with mounted o-ring



Product illustrations are exemplary and may differ from the chosen product. Further variants and individual customization, we will gladly provide you on request.



<b>Material</b>	Brass nickel-plated
<b>Material sealing gasket</b>	EPDM
<b>Temp. range min</b>	-40 °C
<b>Temp. range max</b>	120 °C
<b>Protection class</b>	IP 68
<b>Marking</b>	II 2 G Ex e IIC Gb, II 2 D Ex tb IIIC Db
<b>Approval</b>	PTB 05 ATEX 1106, IECEx PTB 14.0024
<b>Thread type</b>	M
<b>Connection thread size D</b>	16
<b>Lead</b>	1,5
<b>Length screw-in thread L</b>	5 mm
<b>Key width SW</b>	18 mm
<b>Collar diameter (E)</b>	20 mm
<b>Total length TL</b>	8 mm
<b>Surface</b>	Nickel-plated
<b>Order no. nickel-plated</b>	10065332
<b>Type</b>	EX-EMVS 16
<b>Packing unit</b>	10
<b>ETIM-Classification</b>	EC000032

Recommended accessories

**EMMU 16**

**10063142**

06.08.2015

