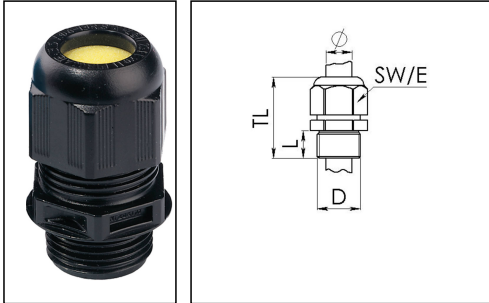


ESKE/1-e 12 LT

Ex-cable gland LowTemp, polyamide with short thread



Product illustrations are exemplary and may differ from the chosen product. Further variants and individual customization, we will gladly provide you on request.



Material cable gland	Polyamide
Material sealing gasket	Silicone
Temp. range min	-60 °C
Temp. range max	75 °C
Protection class	IP 66 / IP 68, 5 bar 30 min
Marking	II 2 G Ex e IIC Gb, II 2 D Ex tb IIIC Db IP68
Approval	IECEX PTB 13.0034X, PTB 13 ATEX 1015 X
Glow wire test	750 °C
Thread type	M
Connection thread size D	12
Lead	1,5
Length screw-in thread L	9 mm
Cable diameter min	3 mm
Cable diameter max	6 mm
Key width SW	16 mm
Collar diameter (E)	18 mm
Total length TL	29 mm - 34 mm
Product Color	RAL 9005
Order no. RAL 9005	10103429
Type	ESKE/1-e 12 LT
Packing unit	50
ETIM-Classification	EC000441

Recommended accessories

EMUG 12	10061780
RDE 12 LT	10063981

06.08.2015

