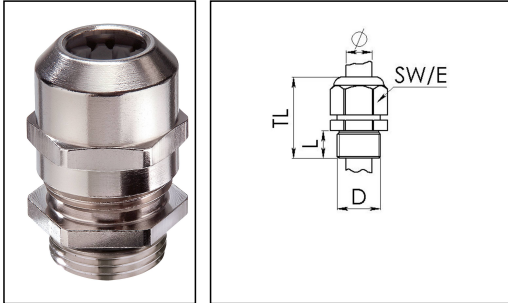


EMSKV 12 LT

Cable gland LowTemp, brass with short thread



Product illustrations are exemplary and may differ from the chosen product. Further variants and individual customization, we will gladly provide you on request.



| | |
|--------------------------|-----------------------------|
| Material cable gland | Brass nickel-plated |
| Material clamping cage | Polyamide |
| Material sealing gasket | Silicone |
| Temp. range min | -60 °C |
| Temp. range max | 100 °C |
| Intermittent temp. range | 120 °C |
| Protection class | IP 69K, IP 68, 5 bar 30 min |
| Thread type | M |
| Connection thread size D | 12 |
| Lead | 1,5 |
| Length screw-in thread L | 5 mm |
| Cable diameter min | 3 mm |
| Cable diameter max | 7 mm |
| Key width SW | 16 mm |
| Collar diameter (E) | 18 mm |
| Total length TL | 23 mm - 30 mm |
| Type of cable anchorage | A |
| Install. torques cap nut | 5 N m |
| Impact category | 6 |
| Surface | Nickel-plated |
| Order no. nickel-plated | 10065800 |
| Packing unit | 50 |
| Type | EMSKV 12 LT |
| ETIM-Classification | EC000441 |

Recommended accessories

| | |
|------------------|----------|
| EMMU 12 | 10063141 |
| RDE 12 LT | 10063981 |

06.08.2015

