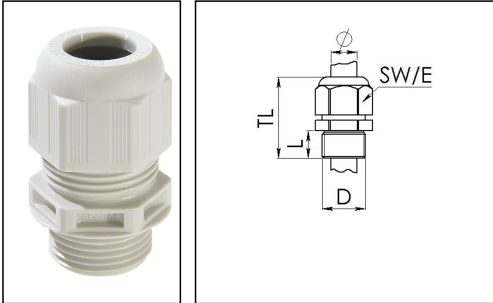


ESKV 40 LT

Cable gland LowTemp, polyamide with short thread



Product illustrations are exemplary and may differ from the chosen product. Further variants and individual customization, we will gladly provide you on request.



Material cable gland	Polyamide
Material sealing gasket	Silicone
Protection class	IP 69K, IP 68, 5 bar 30 min
Temp. range min	-60 °C
Temp. range max	100 °C
Intermittent temp. range	120 °C
Glow wire test	750 °C
Thread type	M
Connection thread size D	40
Lead	1,5
Length screw-in thread L	12 mm
Cable diameter min	16 mm
Cable diameter max	28 mm
Key width SW	46 mm
Collar diameter (E)	51 mm
Total length TL	52 mm - 65 mm
Type of cable anchorage	A
Install. torques fitting	20 N m
Impact category	4
Install. torques cap nut	20 N m
Product Color	RAL 7035
Type	ESKV 40 LT
Order no. RAL 7035	10062781
Packing unit	10
ETIM-Classification	EC000441

Recommended accessories

RDE 40 LT	10063960
ORD-S 40	10101762

06.08.2015

