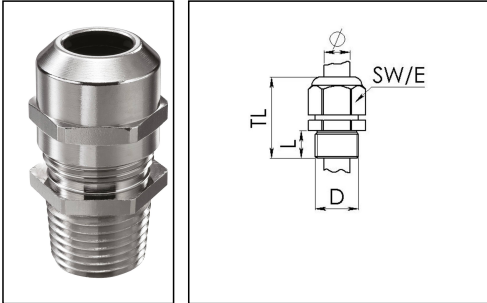


NMSKV 1 1/2

Cable gland, brass



Product illustrations are exemplary and may differ from the chosen product. Further variants and individual customization, we will gladly provide you on request.



Material cable gland	Brass nickel-plated
Material clamping cage	Polyamide
Material sealing gasket	EPDM
Temp. range min	-40 °C
Temp. range max	100 °C
Intermittent temp. range	120 °C
Protection class	IP 68, 5 bar 30 min, IP 69K
Thread type	NPT
Connection thread size D	1 1/2"
Length screw-in thread L	20 mm
Cable diameter min	21 mm
Cable diameter max	35 mm
Cable Diameter UL	24,3 mm - 33,4 mm
Key width SW	55 mm
Collar diameter (E)	61 mm
Type of cable anchorage	A
Install. torques fitting	30 N m
Install. torques cap nut	30 N m
Impact category	6
Total length TL	51 mm - 62 mm
Surface	Nickel-plated
Order no. nickel-plated	10065486
Type	NMSKV 1 1/2
Packing unit	10
ETIM-Classification	EC000441

Recommended accessories

RDE 50	10062188
MFD 50/25/050	10063102
BS 25	10064015
MFD 50/09/080	10064394
NMMU 1 1/2	10100978

06.08.2015

