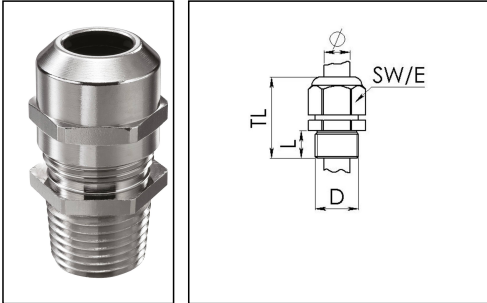


NMSKV 1

Cable gland, brass



Product illustrations are exemplary and may differ from the chosen product. Further variants and individual customization, we will gladly provide you on request.



Material cable gland	Brass nickel-plated
Material clamping cage	Polyamide
Material sealing gasket	EPDM
Temp. range min	-40 °C
Temp. range max	100 °C
Intermittent temp. range	120 °C
Protection class	IP 68, 5 bar 30 min, IP 69K
Thread type	NPT
Connection thread size D	1"
Length screw-in thread L	20 mm
Cable diameter min	13 mm
Cable diameter max	21 mm
Cable Diameter UL	14,6 mm - 19,5 mm
Key width SW	36 mm
Collar diameter (E)	40 mm
Type of cable anchorage	A
Install. torques fitting	20 N m
Install. torques cap nut	20 N m
Impact category	6
Total length TL	46 mm - 53 mm
Surface	Nickel-plated
Order no. nickel-plated	10065484
Type	NMSKV 1
Packing unit	25
ETIM-Classification	EC000441

Recommended accessories

RDE 32	10062186
BS 14	10064011
MFD 32/04/070	10064344
MFD 32/06/060	10064345
MFD 32/04/080	10064950
NMMU 1	10100976
MFD 32/03/080	10101018
MFD 32/05/070	10101140
MFD 32/01/115-01/085	10101256
MFD 32/03/065	10102169
MFD 32/03/090	10102170

06.08.2015

