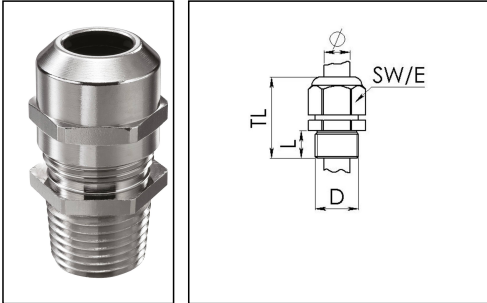


## NMSKV 3/4

Cable gland, brass



Product illustrations are exemplary and may differ from the chosen product. Further variants and individual customization, we will gladly provide you on request.



|                          |                             |
|--------------------------|-----------------------------|
| Material cable gland     | Brass nickel-plated         |
| Material clamping cage   | Polyamide                   |
| Material sealing gasket  | EPDM                        |
| Temp. range min          | -40 °C                      |
| Temp. range max          | 100 °C                      |
| Intermittent temp. range | 120 °C                      |
| Protection class         | IP 68, 5 bar 30 min, IP 69K |
| Thread type              | NPT                         |
| Connection thread size D | 3/4"                        |
| Length screw-in thread L | 16 mm                       |
| Cable diameter min       | 9 mm                        |
| Cable diameter max       | 17 mm                       |
| Cable Diameter UL        | 10,8 mm - 15,8 mm           |
| Key width SW             | 29 mm                       |
| Collar diameter (E)      | 32 mm                       |
| Type of cable anchorage  | A                           |
| Install. torques fitting | 10 N m                      |
| Install. torques cap nut | 10 N m                      |
| Impact category          | 6                           |
| Total length TL          | 40 mm - 48 mm               |
| Surface                  | Nickel-plated               |
| Order no. nickel-plated  | 10065483                    |
| Type                     | NMSKV 3/4                   |
| Packing unit             | 50                          |
| ETIM-Classification      | EC000441                    |

Recommended accessories

|                             |          |
|-----------------------------|----------|
| <b>MFD 25/02/060</b>        | 10060452 |
| <b>RDE 25</b>               | 10060768 |
| <b>MFD 25/02/080</b>        | 10060952 |
| <b>MFD 25/01/065</b>        | 10060954 |
| <b>MFD 25/02/070</b>        | 10063995 |
| <b>BS 12</b>                | 10064009 |
| <b>MFD 25/03/070</b>        | 10064342 |
| <b>MFD 25/04/060</b>        | 10064343 |
| <b>NMMU 3/4</b>             | 10100975 |
| <b>MFD 25/01/090</b>        | 10101016 |
| <b>MFD 25/01/105-01/055</b> | 10101255 |
| <b>MFD 25/05/056</b>        | 10102023 |

06.08.2015

