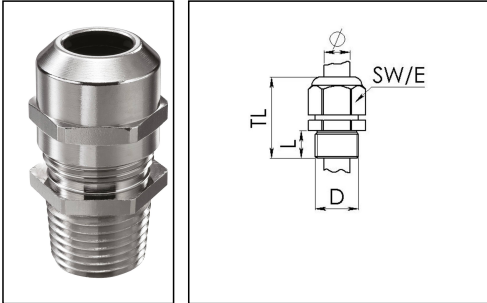


NMSKV 1/2

Cable gland, brass



Product illustrations are exemplary and may differ from the chosen product. Further variants and individual customization, we will gladly provide you on request.



| | |
|--------------------------|-----------------------------|
| Material cable gland | Brass nickel-plated |
| Material clamping cage | Polyamide |
| Material sealing gasket | EPDM |
| Temp. range min | -40 °C |
| Temp. range max | 100 °C |
| Intermittent temp. range | 120 °C |
| Protection class | IP 68, 5 bar 30 min, IP 69K |
| Thread type | NPT |
| Connection thread size D | 1/2" |
| Length screw-in thread L | 16 mm |
| Cable diameter min | 6 mm |
| Cable diameter max | 13 mm |
| Cable Diameter UL | 7,5 mm - 11,3 mm |
| Key width SW | 24 mm |
| Collar diameter (E) | 27 mm |
| Type of cable anchorage | A |
| Install. torques fitting | 8 N m |
| Install. torques cap nut | 8 N m |
| Impact category | 6 |
| Total length TL | 38 mm - 45 mm |
| Surface | Nickel-plated |
| Order no. nickel-plated | 10065482 |
| Type | NMSKV 1/2 |
| Packing unit | 50 |
| ETIM-Classification | EC000441 |

Recommended accessories

| | |
|----------------------|----------|
| MFD 20/02/065 | 10060953 |
| RDE 20 | 10062185 |
| BS 8 | 10064006 |
| MFD 20/03/040 | 10064341 |
| MFD 20/02/060 | 10064395 |
| NMMU 1/2 | 10100974 |
| MFD 20/02/050 | 10101015 |
| MFD 20/03/045 | 10102306 |

06.08.2015

