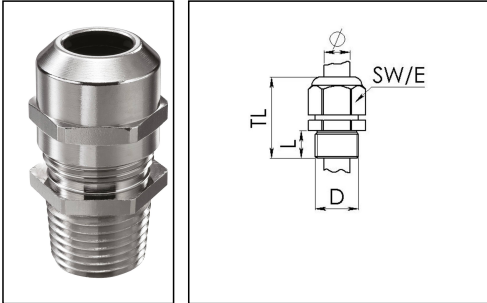


## NMSKV 1/4

Cable gland, brass



Product illustrations are exemplary and may differ from the chosen product. Further variants and individual customization, we will gladly provide you on request.



Material cable gland	Brass nickel-plated
Material clamping cage	Polyamide
Material sealing gasket	EPDM
Temp. range min	-40 °C
Temp. range max	100 °C
Intermittent temp. range	120 °C
Protection class	IP 68, 5 bar 30 min, IP 69K
Thread type	NPT
Connection thread size D	1/4"
Length screw-in thread L	13 mm
Cable diameter min	3 mm
Cable diameter max	7 mm
Cable Diameter UL	4,1 mm - 6 mm
Key width SW	16 mm
Collar diameter (E)	18 mm
Type of cable anchorage	A
Install. torques fitting	4 N m
Install. torques cap nut	4 N m
Impact category	6
Total length TL	33 mm - 40 mm
Surface	Nickel-plated
Order no. nickel-plated	10065480
Type	NMSKV 1/4
Packing unit	50
ETIM-Classification	EC000441

Recommended accessories

<b>RDE 12</b>	10062183
<b>BS 3</b>	10064001
<b>MFD 12/04/020</b>	10064392
<b>MFD 12/02/020</b>	10100525
<b>NMMU 1/4</b>	10100972

06.08.2015

