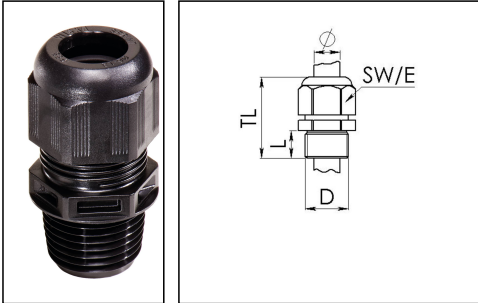


## NSKV 2

Cable gland, polyamide



Product illustrations are exemplary and may differ from the chosen product. Further variants and individual customization, we will gladly provide you on request.



|                          |                             |
|--------------------------|-----------------------------|
| Material cable gland     | Polyamide                   |
| Material sealing gasket  | EPDM                        |
| Temp. range min          | -40 °C                      |
| Temp. range max          | 100 °C                      |
| Intermittent temp. range | 120 °C                      |
| Protection class         | IP 69K, IP 68, 5 bar 30 min |
| Thread type              | NPT                         |
| Connection thread size D | 2"                          |
| Length screw-in thread L | 18 mm                       |
| Cable diameter min       | 34 mm                       |
| Cable diameter max       | 48 mm                       |
| Cable Diameter UL        | 38,1 mm - 47,5 mm           |
| Key width SW             | 68 mm                       |
| Collar diameter (E)      | 75 mm                       |
| Total length TL          | 69 mm - 83 mm               |
| Glow wire test           | 750 °C                      |
| Install. torques cap nut | 30 N m                      |
| Type of cable anchorage  | A                           |
| Install. torques fitting | 30 N m                      |
| Impact category          | 5                           |
| Product Color            | RAL 9005                    |
| Order no. RAL 9005       | 10061511                    |
| Type                     | NSKV 2                      |
| Packing unit             | 3                           |
| ETIM-Classification      | EC000441                    |

Recommended accessories

|               |          |
|---------------|----------|
| <b>RDE 63</b> | 10062189 |
| <b>BS 38</b>  | 10064018 |

06.08.2015

