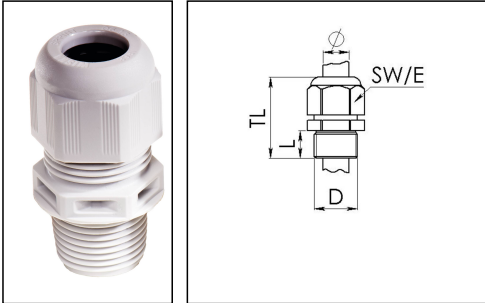


NSKV 1

Cable gland, polyamide



Product illustrations are exemplary and may differ from the chosen product. Further variants and individual customization, we will gladly provide you on request.



Material cable gland	Polyamide
Material sealing gasket	EPDM
Temp. range min	-40 °C
Temp. range max	100 °C
Intermittent temp. range	120 °C
Protection class	IP 69K, IP 68, 5 bar 30 min
Thread type	NPT
Connection thread size D	1"
Length screw-in thread L	15 mm
Cable diameter min	13 mm
Cable diameter max	21 mm
Cable Diameter UL	14,6 mm - 19,5 mm
Key width SW	36 mm
Collar diameter (E)	40 mm
Total length TL	50 mm - 59 mm
Glow wire test	750 °C
Install. torques cap nut	4 N m
Type of cable anchorage	A
Install. torques fitting	15 N m
Impact category	4
Product Color	RAL 7035
Order no. RAL 7035	10062659
Type	NSKV 1
Packing unit	25
ETIM-Classification	EC000441

Recommended accessories

RDE 32	10062186
BS 14	10064011

06.08.2015

