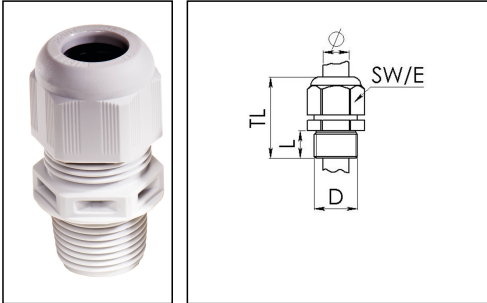


NSKV 1/2

Cable gland, polyamide



Product illustrations are exemplary and may differ from the chosen product. Further variants and individual customization, we will gladly provide you on request.



| | |
|--------------------------|-----------------------------|
| Material cable gland | Polyamide |
| Material sealing gasket | EPDM |
| Temp. range min | -40 °C |
| Temp. range max | 100 °C |
| Intermittent temp. range | 120 °C |
| Protection class | IP 69K, IP 68, 5 bar 30 min |
| Thread type | NPT |
| Connection thread size D | 1/2" |
| Length screw-in thread L | 15 mm |
| Cable diameter min | 6 mm |
| Cable diameter max | 13 mm |
| Cable Diameter UL | 7,5 mm - 11,3 mm |
| Key width SW | 24 mm |
| Collar diameter (E) | 22 mm |
| Total length TL | 42 mm - 51 mm |
| Glow wire test | 750 °C |
| Install. torques cap nut | 3 N m |
| Type of cable anchorage | A |
| Install. torques fitting | 4 N m |
| Impact category | 2 |
| Product Color | RAL 7035 |
| Order no. RAL 7035 | 10062657 |
| Type | NSKV 1/2 |
| Packing unit | 50 |
| ETIM-Classification | EC000441 |

Recommended accessories

| | |
|---------------|----------|
| RDE 20 | 10062185 |
| BS 8 | 10064006 |

06.08.2015

