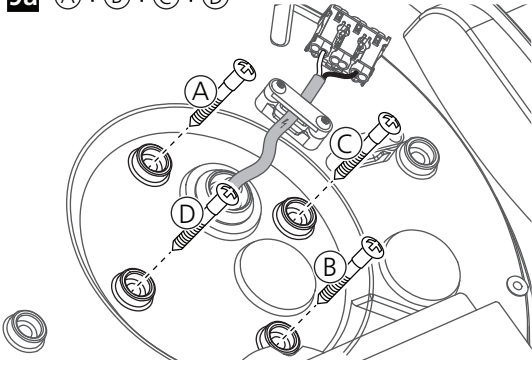
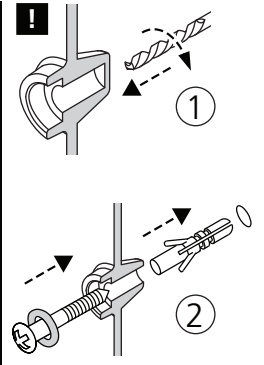
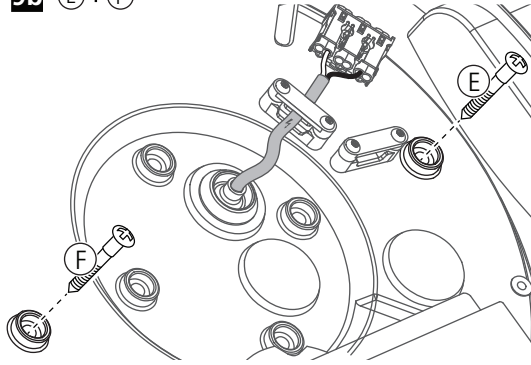


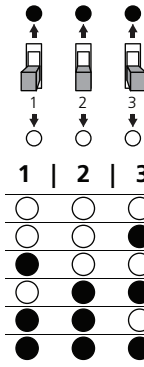
9a A + B + C + D



9b E + F

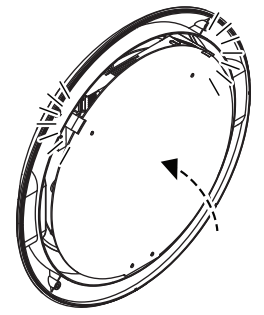


10

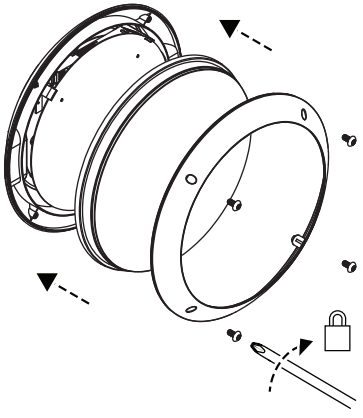


0049016, 0049017, 0049018, 0049019				0049000, 0049001, 0049002, 0049003						
1	2	3	Io [mA]	P [W]	3000K [lm]	4000K [lm]	Io [lm]	P [lm]	3000K [lm]	4000K [lm]
○	○	○	500	16.5	1700	1800	200	6.5	700	730
○	○	●	550	18.5	1850	1900	240	8	800	825
●	○	○	600	20.0	2000	2050	300	10.0	1000	1025
○	●	●	650	22.0	2125	2225	350	11.0	1125	1175
●	●	○	700	23.0	2275	2300	400	13.0	1300	1350
●	●	●	750	24.0	2400	2500	450	14.5	1450	1500

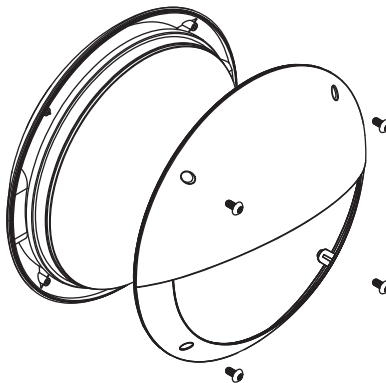
11



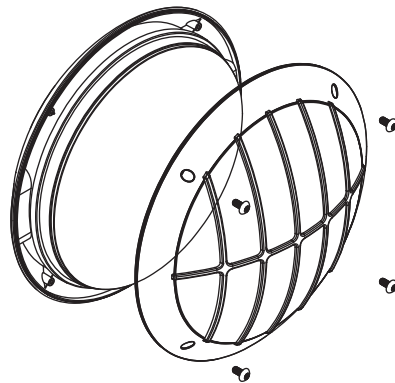
12



⚙️ 0049032, 0049033



⚙️ 0049034, 0049035



	10A C-type	13A C-type	16A C-type	20A C-type
	—x— (max. pcs)	—x— (max. pcs)	—x— (max. pcs)	—x— (max. pcs)
0049000	35	45	56	70
0049001	35	45	56	70
0049002	35	45	56	70
0049003	35	45	56	70
0049016	20	26	32	40
0049017	20	26	32	40
0049018	20	26	32	40
0049019	20	26	32	40