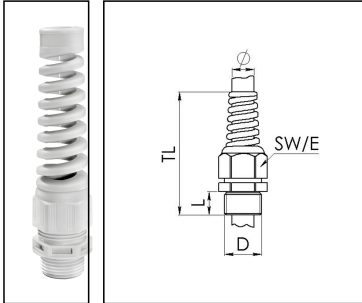


ESKVS 16

Cable gland with bend protection, polyamide, M16, RAL 7035



Products may differ in size, colour and appearance to those shown. If you require further information or customisation, please contact us directly.



| | |
|-------------------------------|---------------------------|
| Material cable gland | Polyamide |
| Material sealing gasket | EPDM |
| Protection class | IP69, IP68 (5 bar 30 min) |
| Temp. range min | -40 °C |
| Temp. range max | 100 °C |
| Glow wire test | 750 °C |
| Thread type | M |
| Ø Connection thread D | 16 |
| Lead | 1,5 |
| Length screw-in thread L | 9 mm |
| Ø cable diameter min | 4,5 mm |
| Ø cable diameter max | 10 mm |
| Ø cable UL certificate | 6 mm - 8,6 mm |
| Key width SW | 20 mm |
| Collar diameter (E) | 22 mm |
| Total length TL | 82 mm - 88 mm |
| Type of cable anchorage | A |
| Install. torques fitting | 3,5 N m |
| Install. torques fitting/EADR | 2 N m |
| Install. torques cap nut | 1,5 N m |
| Impact category | 3 |
| Product Color | RAL 7035 |
| Type | ESKVS 16 |
| Order no. RAL 7035 | 10060758 |
| Packing unit | 100 |

Your Contact:

WISKA Hoppmann GmbH

Kisdorfer Weg 28 · 24568 Kaltenkirchen · Germany

☎ +49-4191-508-0 · 📠 +49-4191-508-209

contact@wiska.de · www.wiska.com

Recommended accessories

| | |
|----------------------|----------|
| EMUG 16 | 10060771 |
| RDE 16 | 10062184 |
| EADR 16 | 10062802 |
| BS 10 | 10064008 |
| MFD 16/02/040 | 10064393 |
| MFD 16/03/021 | 10101014 |

02.03.2022

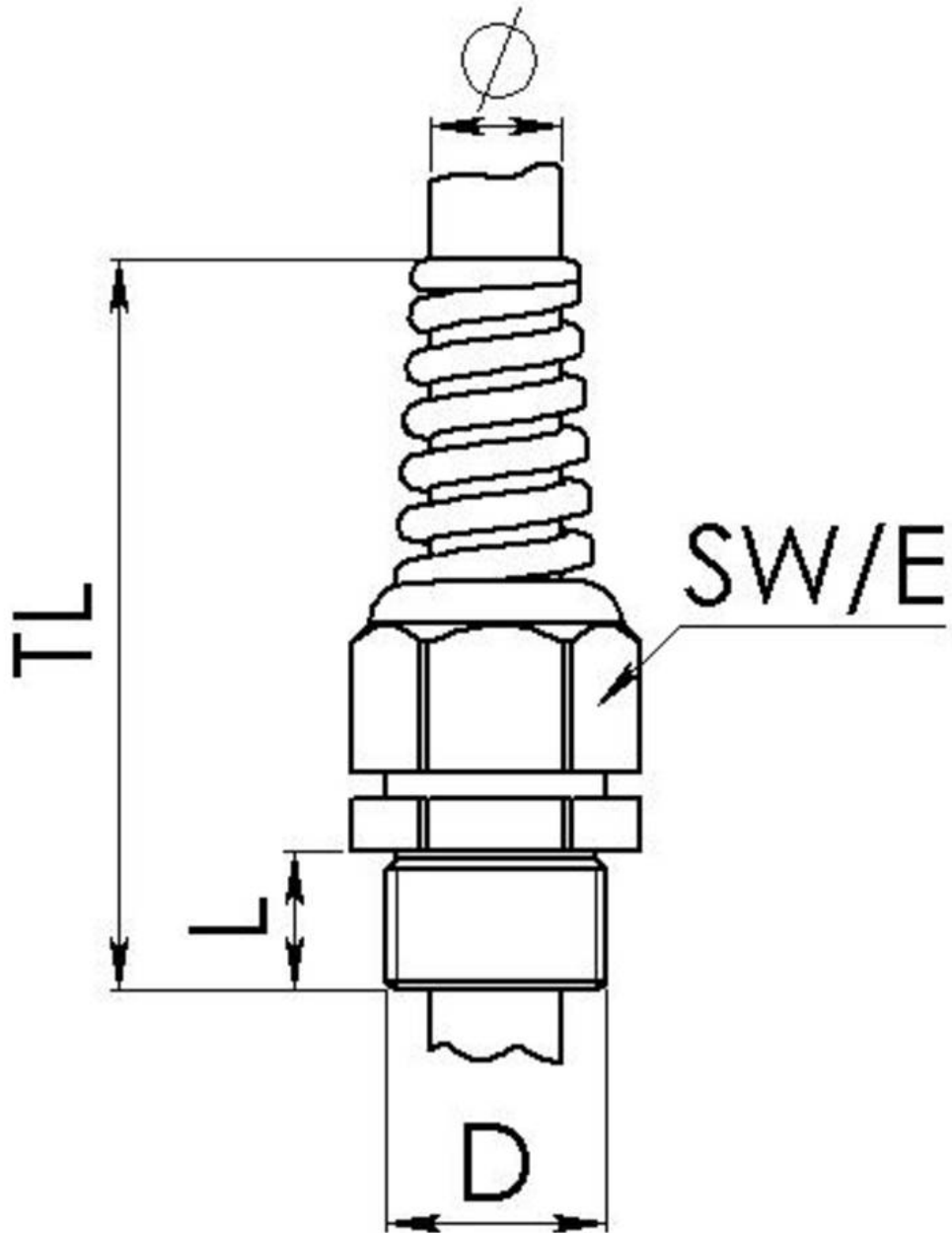
Your Contact:

WISKA Hoppmann GmbH

Kisdorfer Weg 28 · 24568 Kaltenkirchen · Germany

☎ +49-4191-508-0 · 📠 +49-4191-508-209

contact@wiska.de · www.wiska.com



Your Contact:

WISKA Hoppmann GmbH

Kisdorfer Weg 28 · 24568 Kaltenkirchen · Germany

☎ +49-4191-508-0 · 📠 +49-4191-508-209

contact@wiska.de · www.wiska.com