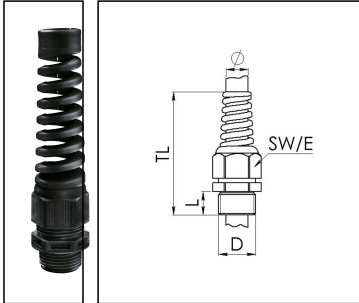


## ESKVS 12

Cable gland with bend protection, polyamide, M12, RAL 9005



Products may differ in size, colour and appearance to those shown. If you require further information or customisation, please contact us directly.



|                               |                           |
|-------------------------------|---------------------------|
| Material cable gland          | Polyamide                 |
| Material sealing gasket       | EPDM                      |
| Protection class              | IP69, IP68 (5 bar 30 min) |
| Temp. range min               | -40 °C                    |
| Temp. range max               | 100 °C                    |
| Glow wire test                | 750 °C                    |
| Thread type                   | M                         |
| Ø Connection thread D         | 12                        |
| Lead                          | 1,5                       |
| Length screw-in thread L      | 9 mm                      |
| Ø cable diameter min          | 3 mm                      |
| Ø cable diameter max          | 7 mm                      |
| Ø cable UL certificate        | 4,1 mm - 6 mm             |
| Key width SW                  | 16 mm                     |
| Collar diameter (E)           | 18 mm                     |
| Total length TL               | 72 mm - 77 mm             |
| Type of cable anchorage       | A                         |
| Install. torques fitting      | 2 N m                     |
| Install. torques fitting/EADR | 2 N m                     |
| Install. torques cap nut      | 2 N m                     |
| Impact category               | 2                         |
| Product Color                 | RAL 9005                  |
| Type                          | ESKVS 12                  |
| Order no. RAL 9005            | 10061276                  |
| Packing unit                  | 100                       |

Your Contact:

WISKA Hoppmann GmbH

Kisdorfer Weg 28 · 24568 Kaltenkirchen · Germany

☎ +49-4191-508-0 · 📠 +49-4191-508-209

contact@wiska.de · www.wiska.com

ETIM-Classification

EC000441

**Recommended accessories**



|                      |          |
|----------------------|----------|
| <b>EMUG 12</b>       | 10061780 |
| <b>RDE 12</b>        | 10062183 |
| <b>EADR 12</b>       | 10062801 |
| <b>BS 7</b>          | 10064005 |
| <b>MFD 12/04/020</b> | 10064392 |
| <b>MFD 12/02/020</b> | 10100525 |

02.03.2022

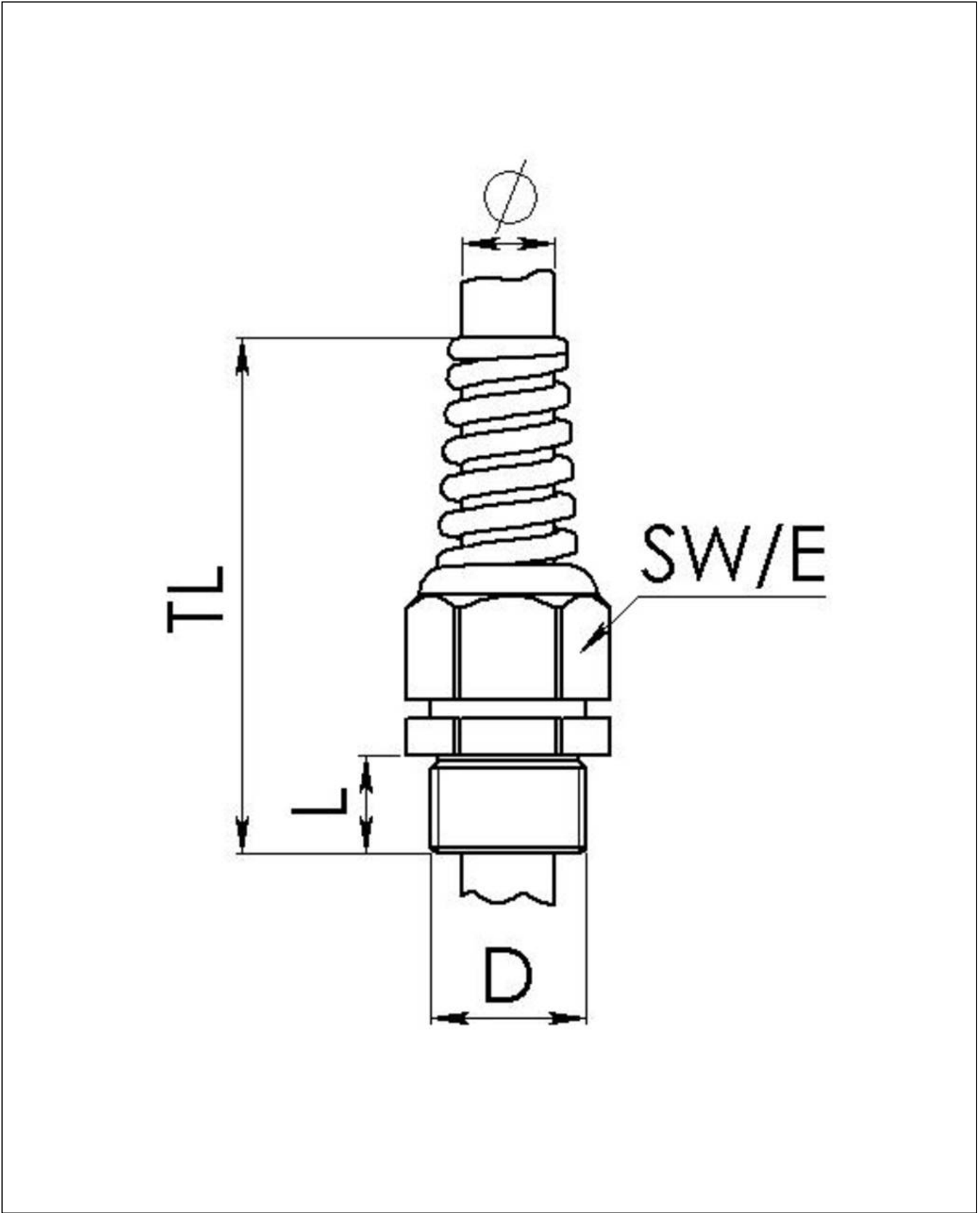
Your Contact:

**WISKA Hoppmann GmbH**

Kisdorfer Weg 28 · 24568 Kaltenkirchen · Germany

 +49-4191-508-0 ·  +49-4191-508-209

contact@wiska.de · www.wiska.com



Your Contact:  
**WISKA Hoppmann GmbH**  
Kisdorfer Weg 28 · 24568 Kaltenkirchen · Germany  
☎ +49-4191-508-0 · 📠 +49-4191-508-209  
contact@wiska.de · www.wiska.com