

EAN: 6414150060519

www.oras.com/en/products/oras/product/1838F



Kitchen faucet with high spout. Swivel spout and aerator. Spout's swing angle is factory preset at 120° (can be limited to 0° or 60°). The spout can be fixed in position on the left or right or at the back of the faucet. Firm two-component lever is equipped with an ecobutton for limiting flow-rate which can be bypassed by pressing the button.

F = with flexible pipes

- Kitchen
- Single lever
- Deck mounted
- Chrome
- Swivel spout
- ECO button

Technical data

Flow properties

Eco-flow at 300 kPa	0.1 l/s
Flow-rate at 300 kPa	0.26 l/s
Pressure loss with flow (0.2 l/s)	180 kPa

Technical properties

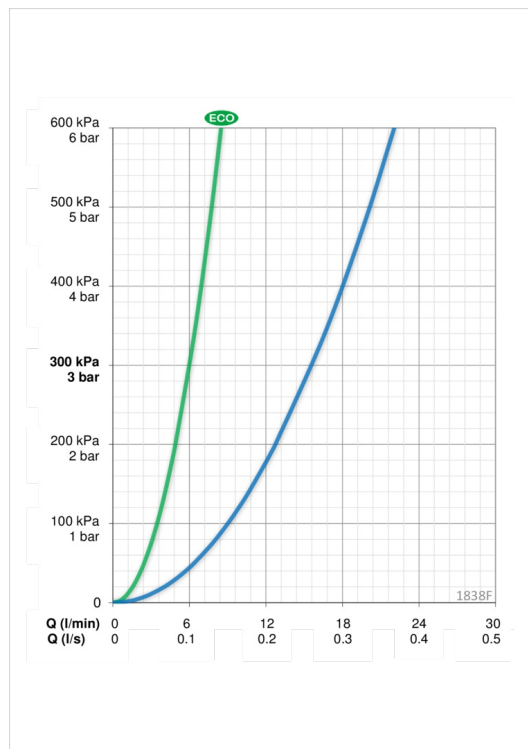
Hot water supply	max. +80°C
Working pressure	50 - 1000 kPa
Material	brass

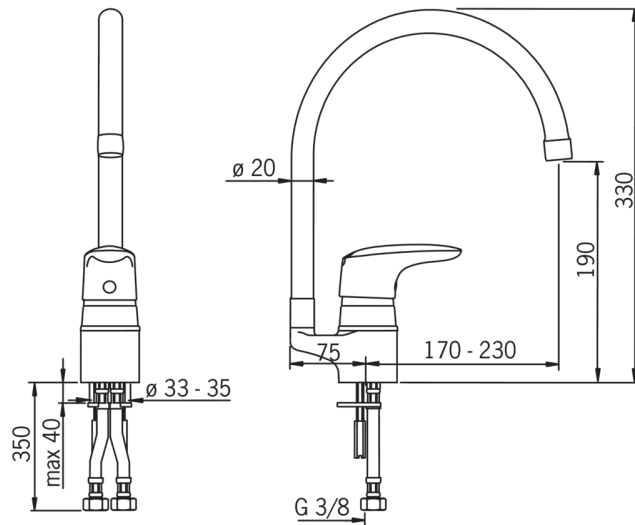
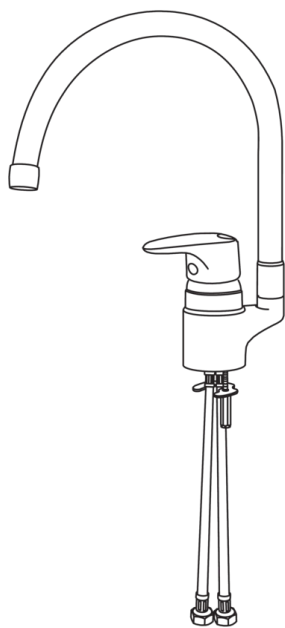
Regulations

Noise class	I (ISO 3822)
-------------	---------------------

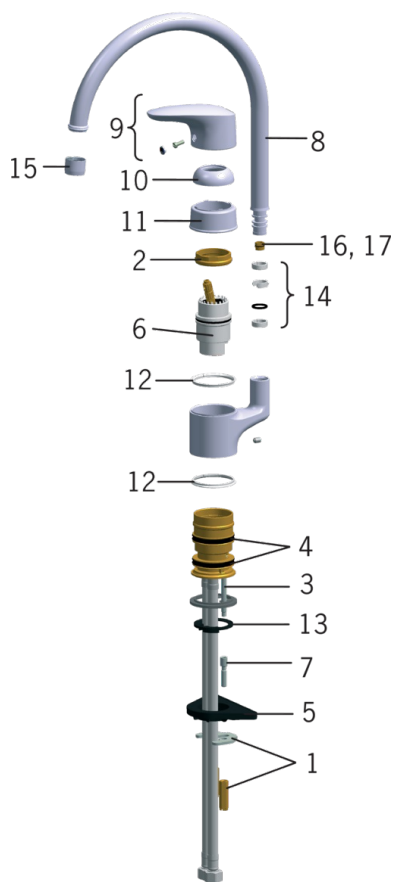
Type approvals

STF certificate	STF VTT-RTH-00100-11
-----------------	-----------------------------





Spare parts



SP1838F

	Code
01	158697
02	158726
03	158747/10
04	158735
05	158825
06	158890
07	158893
08	159695V
09	159319V
10	159347V
11	159348V
12	159423/10
13	159434
14	159499
15	232201
16	159670/10
17	159667/10
17	159667V