

EAN: 6414150061493

www.oras.com/en/products/oras/product/1832F



Kitchen faucet with pull-out spout. Swivel spout with pull-out spout/spray. Spout's pull-out length can be fixed. Spout's swing angle is factory preset at 100° (can be limited to 40°-80°). Firm two-component lever is equipped with an ecobutton for limiting flow-rate which can be bypassed by pressing the button.

F = with flexible pipes

- Kitchen
- Single lever
- Deck mounted
- Chrome
- Pull-out spout
- Pull-out hand spray
- ECO button

Technical data

Flow properties

Eco-flow at 300 kPa	0.07 l/s
Flow-rate at 300 kPa	0.16 l/s
Pressure loss with flow (0.1 l/s)	115 kPa

Technical properties

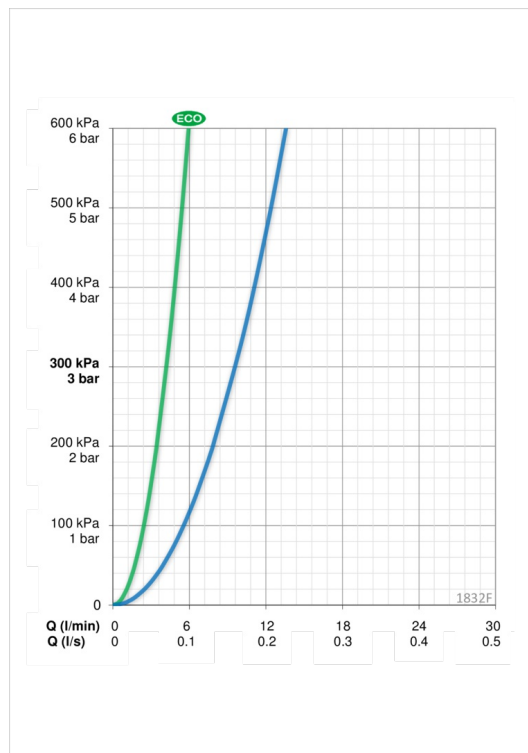
Hot water supply	max. +80°C
Working pressure	50 - 1000 kPa

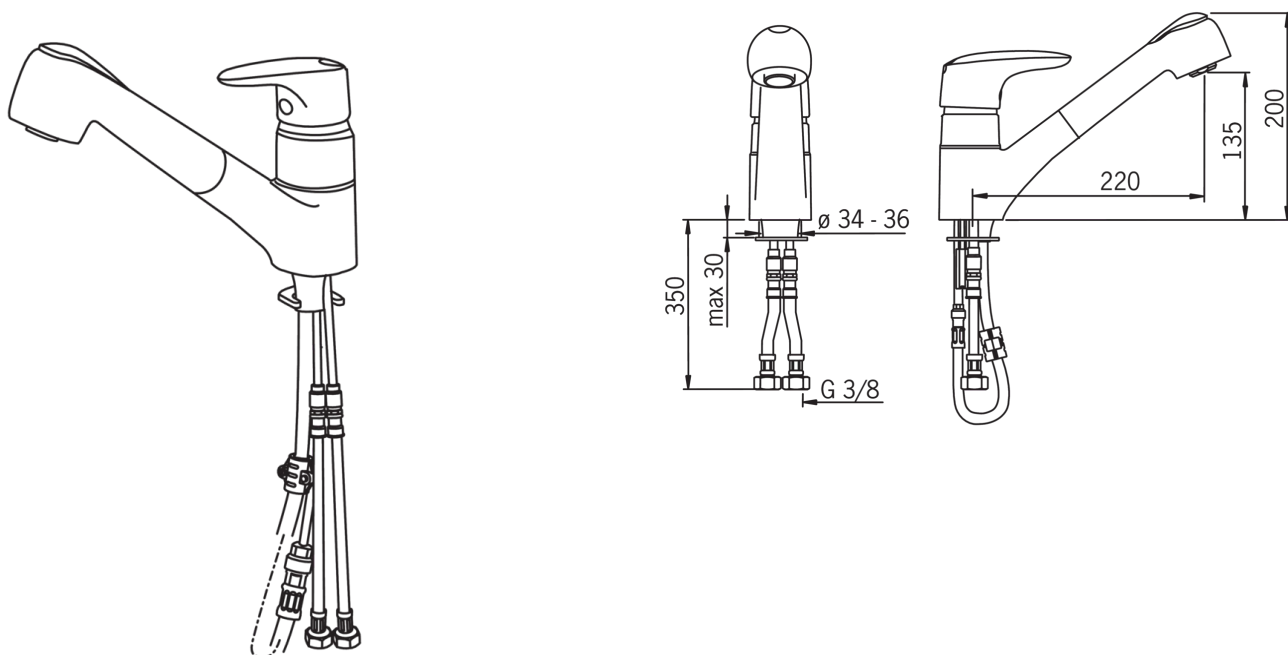
Regulations

Noise class	I (ISO 3822)
-------------	---------------------

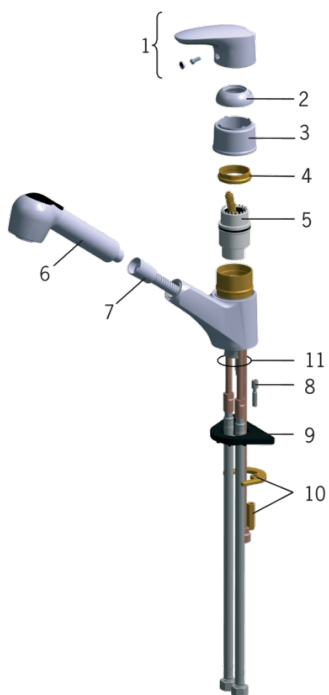
Type approvals

STF certificate	STF VTT-RTH-00100-11
-----------------	-----------------------------





Spare parts



SP1832F

	Code
01	159319V
02	159347V
03	159428
04	158726
05	158890
06	126010
07	600533V
08	158893
09	158825
10	159607V
11	159431/10