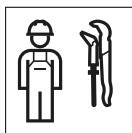


MAINTENANCE MANUAL

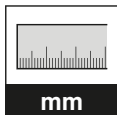
INSTRUKTIONSBÜCHER
MANUEL D'ENTRETIEN
ISTRUZIONI PER LA MANUTENZIONE

**KNOW
HOW**
INSTALLED

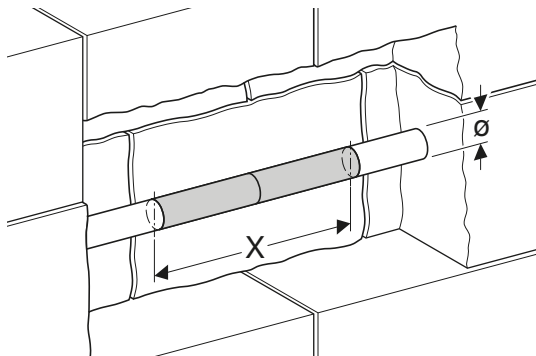


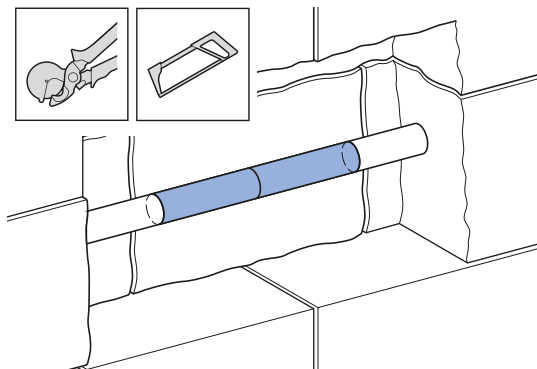


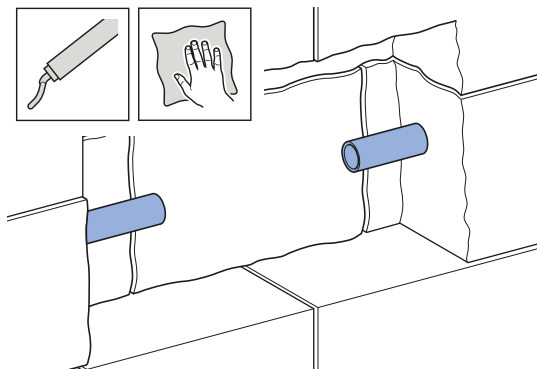
i



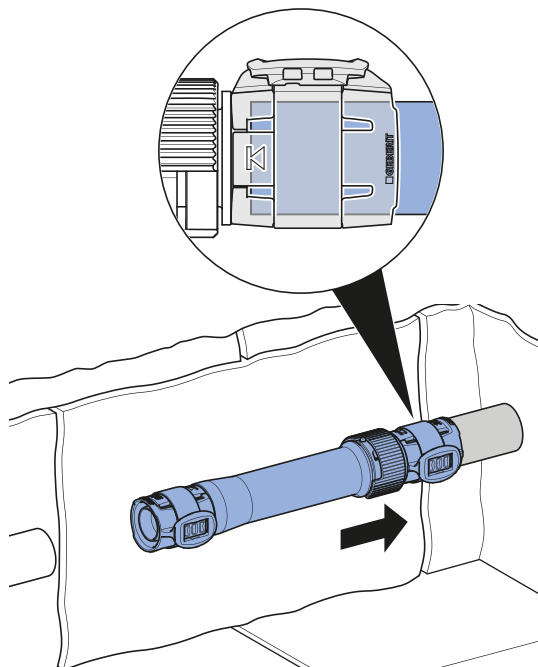
\varnothing	X
d16/d20/d25	200–220
d32	225–250
d40	235–265
d50	340–375



1

2

3

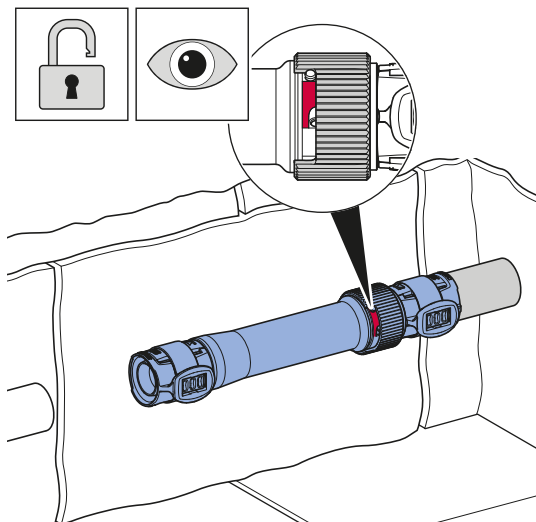


4

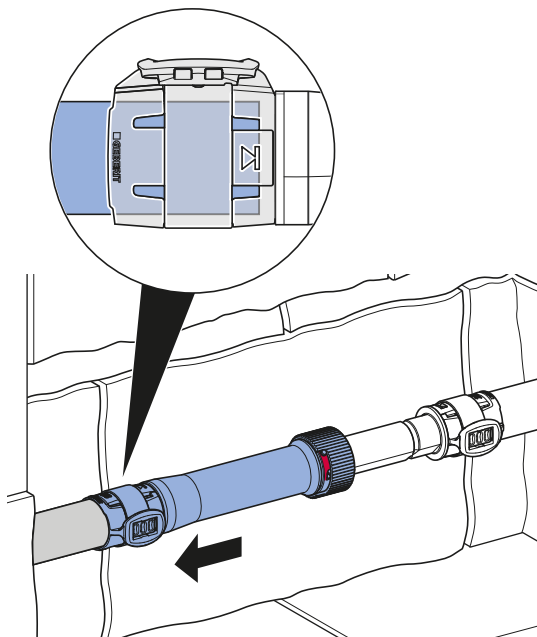
 **GEBERIT**

18014405683270923 © 10-2020
969.660.00.0(01)

4



5

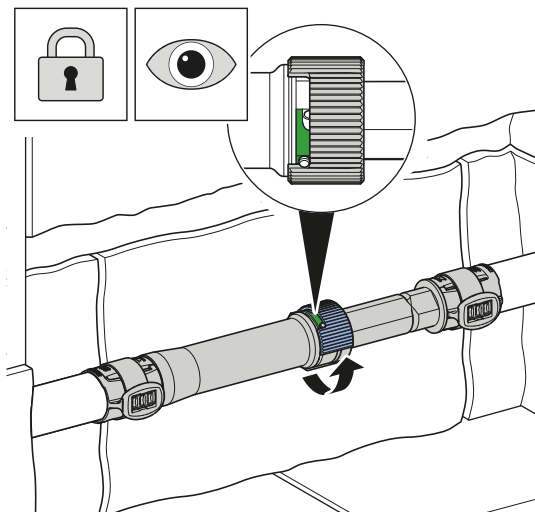


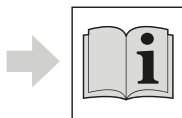
6

 **GEBERIT**

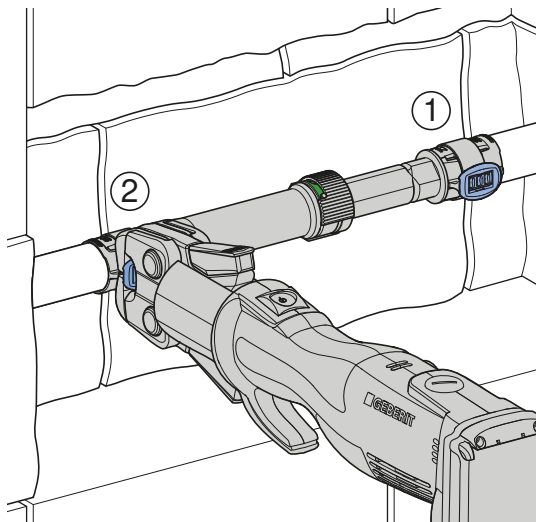
18014405683270923 © 10-2020
969.660.00.0(01)

6





User Manual



Geberit International AG
Schachenstrasse 77, CH-8645 Jona
documentation@geberit.com
www.geberit.com

