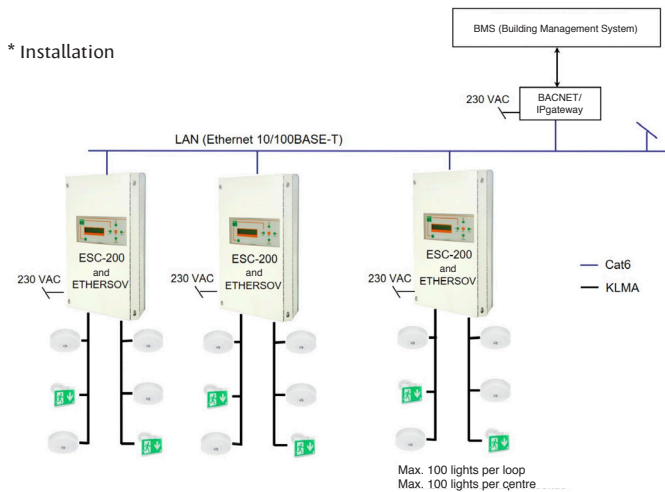
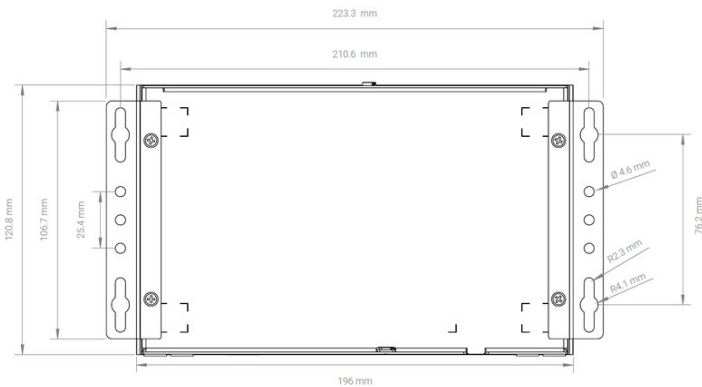


EXI-BACNET GW



ESC-200 is addressable emergency lighting system where control and monitoring are carried out centrally at a monitoring centre. Communication between the luminaires and the centre takes place through the same cable with power supply, which provides significant savings in terms of cabling costs.

BACNET/IP gateway enables a standard connection between the system and a facility management system. The management system makes it easier to monitor and maintain the overall system.



FEATURES

- Standard BACNET/IP interface based on the EN ISO 16484-5 specification.
- Up to 50 centres can be installed under one gateway.
- Gateway device is built using reliable PC technology, and the overall system is based on a flexible Linux operating system.
- Ethernet adapter card (ETHERSOV) is required for connecting a ESC-200 centre to a BACNET/IP gateway.

EXI-BACNET GW

TYPE	DESCRIPTION	INTERFACES	PERFORMANCE
BACNET-GW	BACNET / IP gateway	One Ethernet 10/100/1000BaseT	50 x ESC-200(P) center
ETHERSOV	Ethernet adapter card	One Ethernet 10/100/1000BaseT	