

EAN: 6414150067488

www.oras.com/en/products/oras/product/1714F



Touchless washbasin faucet with a temperature adjustment handle. Battery-operated 6 V. The total height of the faucet enables installation even in the smallest spaces. The faucet is equipped with litter filters and non-return valves. No adjustments are needed at installation because of an advanced Autofocus sensor. The impulse-controlled solenoid valve gives the battery a long operating life. Flow controller (5 l/min) guarantees low water consumption. F = with flexible pipes

- Bathroom
- Battery-operated, Touchless
- Deck mounted
- Chrome
- Fixed spout
- HONEYCOMB® with improved lime protection, CACHE®[®], without housing directly screwed into the faucet spout
- Temperature control handle
- Non-return valve(s), Litter filter(s)
- Autofocus sensor, Impulse-controlled solenoid valve

Technical data

Flow properties

Flow-rate at 300 kPa (with flow controller)	0.08 l/s
Pressure loss with flow (0.1 l/s)	200 kPa

Technical properties

Hot water supply	max. +70°C
Working pressure	100 - 1000 kPa
Connection size	G3/8
Projection	85 mm
Material	brass

Software settings

Afterflow period	2 s ± 1 s
Max. flow period	2 min

Electronic properties

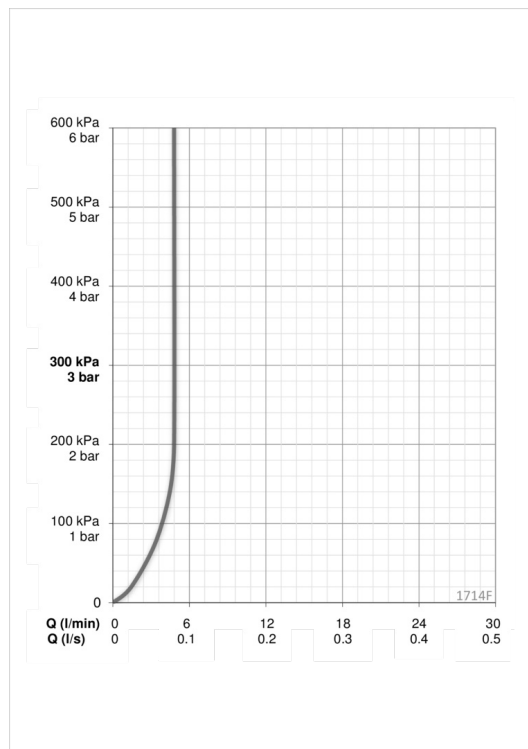
Battery	Lithium 2CR5 6 V
---------	-------------------------

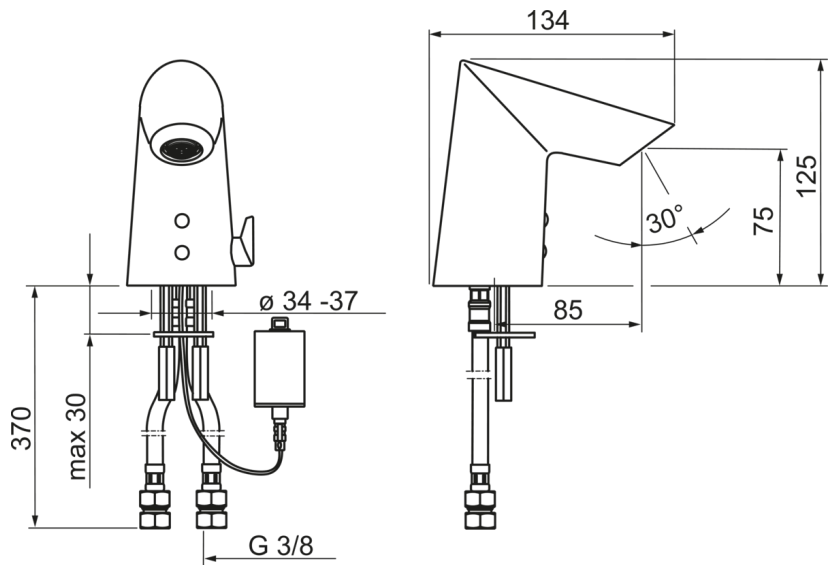
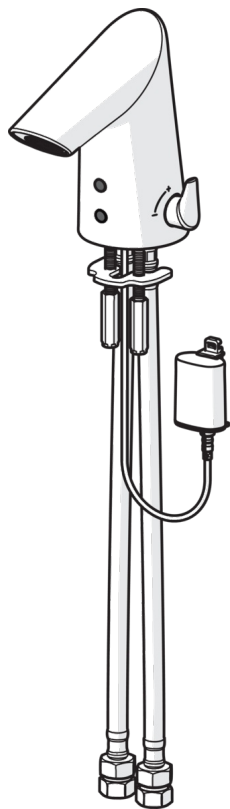
Regulations

EMC Directive	CE 2004/108/EY
EN standard	EN 15091
Noise class	I (ISO 3822)
Protection class	IP 55

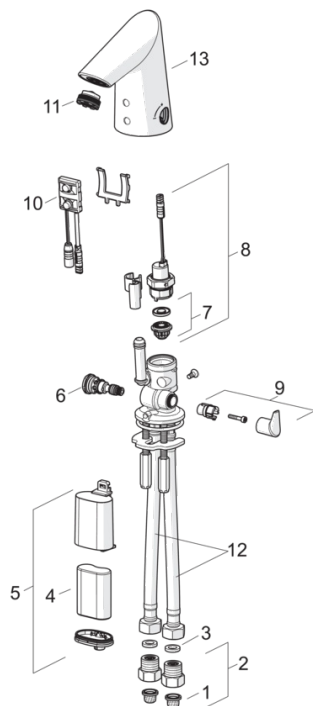
Type approvals

STF certificate	STF VTT-RTH-00024-12
ETA-Danmark	VA 1.42/20137
Sintef	Sintef Nr. 3080
KIWA SE	1462





Spare parts



SP1714F

	Code
01	199257/2
02	198473/2
03	600705/10
04	198330
05	199417V
06	199201V
07	199205V
08	199206V
09	601020V
10	600659V
10	1001424V
11	601025V
12	601481/2
13	601019V
N.I.	601061V