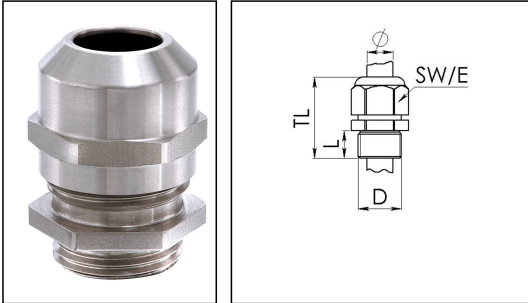


## ESSKV 12

Cable gland, stainless steel, M12



Products may differ in size, colour and appearance to those shown. If you require further information or customisation, please contact us directly.



|                          |                             |
|--------------------------|-----------------------------|
| Material cable gland     | Stainless steel A2 (1.4305) |
| Material clamping cage   | Polyamide                   |
| Material sealing gasket  | EPDM                        |
| Temp. range min          | -40 °C                      |
| Temp. range max          | 100 °C                      |
| Protection class         | IP69, IP68 (5 bar 30 min)   |
| Thread type              | M                           |
| Ø Connection thread D    | 12                          |
| Lead                     | 1,5                         |
| Length screw-in thread L | 5 mm                        |
| Ø cable diameter min     | 3 mm                        |
| Ø cable diameter max     | 7 mm                        |
| Ø cable diameter UL      | 4,1 mm - 6 mm               |
| Key width SW             | 17 mm                       |
| Collar diameter (E)      | 19 mm                       |
| Total length TL          | 23 mm - 30 mm               |
| Type of cable anchorage  | A                           |
| Install. torques fitting | 4 N m                       |
| Install. torques cap nut | 4 N m                       |
| Impact category          | 6                           |
| WISKA-Order no.          | 10069000                    |
| Type                     | ESSKV 12                    |
| Packing unit             | 10                          |
| ETIM-Classification      | EC000441                    |

Your Contact:

WISKA Hoppmann GmbH

Kisdorfer Weg 28 · 24568 Kaltenkirchen · Germany

☎ +49-4191-508-0 · 📠 +49-4191-508-209

contact@wiska.de · www.wiska.com

**Recommended accessories**



|                      |          |
|----------------------|----------|
| <b>RDE 12</b>        | 10062183 |
| <b>BS 7</b>          | 10064005 |
| <b>ESMU 12</b>       | 10064188 |
| <b>MFD 12/04/020</b> | 10064392 |
| <b>MFD 12/02/020</b> | 10100525 |

16.03.2021

Your Contact:

**WISKA Hoppmann GmbH**

Kisdorfer Weg 28 · 24568 Kaltenkirchen · Germany

 +49-4191-508-0 ·  +49-4191-508-209

contact@wiska.de · www.wiska.com



Your Contact:

**WISKA Hoppmann GmbH**

Kisdorfer Weg 28 · 24568 Kaltenkirchen · Germany

☎ +49-4191-508-0 · 📠 +49-4191-508-209

contact@wiska.de · www.wiska.com