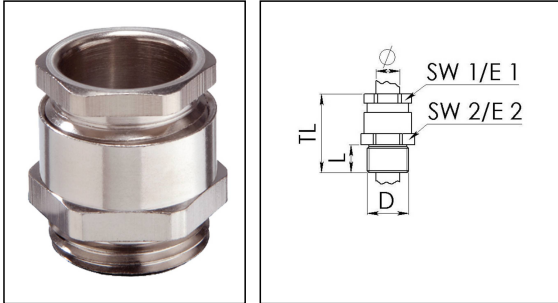


ESMKV 25

Cable gland hexagonal, brass nickel-plated, M25, with short thread



Products may differ in size, colour and appearance to those shown. If you require further information or customisation, please contact us directly.



Material cable gland	Brass nickel-plated
Material sealing gasket	Soft rubber
Temp. range min	-30 °C
Temp. range max	80 °C
Protection class	IP54
Thread type	M
Ø Connection thread D	25
Lead	1,5
Length screw-in thread L	7 mm
Ø cable diameter min	7,5 mm
Ø cable diameter max	18,5 mm
Key width SW1	25 mm
Key width SW2	27 mm
Collar diameter E1	28 mm
Collar diameter E2	30 mm
Total length TL	29 mm
Impact category	6
Surface	Nickel-plated
Order no. nickel-plated	10062873
Type	ESМКV 25
Packing unit	50
ETIM-Classification	EC000441

Your Contact:

WISKA Hoppmann GmbH

Kisdorfer Weg 28 · 24568 Kaltenkirchen · Germany

☎ +49-4191-508-0 · 📠 +49-4191-508-209

contact@wiska.de · www.wiska.com

Recommended accessories

EMMU 25	10063144
ORD-E 25	10064700

25.02.2021

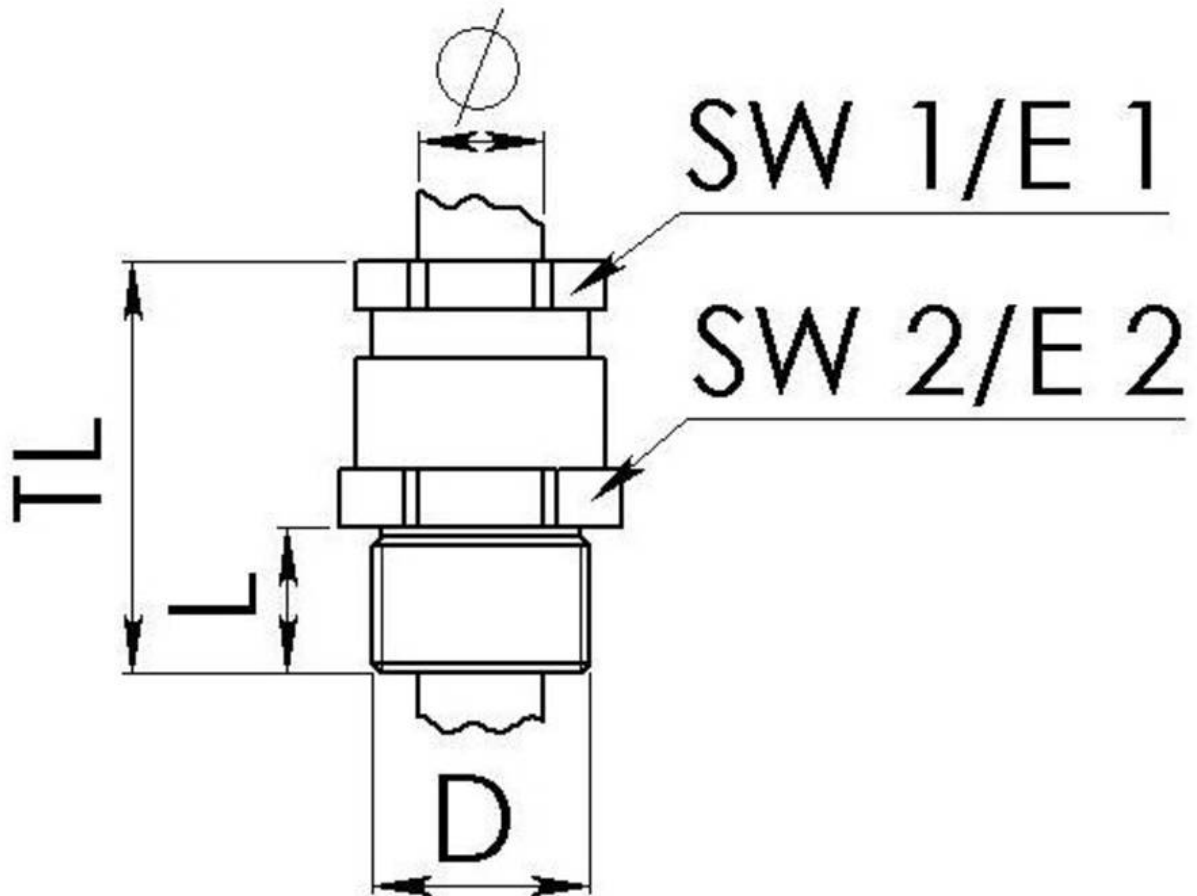
Your Contact:

WISKA Hoppmann GmbH

Kisdorfer Weg 28 · 24568 Kaltenkirchen · Germany

☎ +49-4191-508-0 · 📠 +49-4191-508-209

contact@wiska.de · www.wiska.com



Your Contact:

WISKA Hoppmann GmbH

Kisdorfer Weg 28 · 24568 Kaltenkirchen · Germany

☎ +49-4191-508-0 · 📠 +49-4191-508-209

contact@wiska.de · www.wiska.com