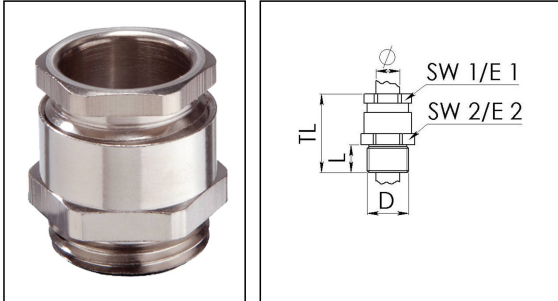


ESMKV 20

Cable gland hexagonal, brass nickel-plated, M20, with short thread



Products may differ in size, colour and appearance to those shown. If you require further information or customisation, please contact us directly.



Material cable gland	Brass nickel-plated
Material sealing gasket	Soft rubber
Temp. range min	-30 °C
Temp. range max	80 °C
Protection class	IP54
Thread type	M
Ø Connection thread D	20
Lead	1,5
Length screw-in thread L	6 mm
Ø cable diameter min	3 mm
Ø cable diameter max	14 mm
Key width SW1	20 mm
Key width SW2	22 mm
Collar diameter E1	22 mm
Collar diameter E2	24 mm
Total length TL	26 mm
Impact category	6
Surface	Nickel-plated
Order no. nickel-plated	10062872
Type	ESMSKV 20
Packing unit	50
ETIM-Classification	EC000441

Your Contact:

WISKA Hoppmann GmbH

Kisdorfer Weg 28 · 24568 Kaltenkirchen · Germany

☎ +49-4191-508-0 · 📠 +49-4191-508-209

contact@wiska.de · www.wiska.com

Recommended accessories

EMMU 20	10063143
ORD-E 20 + PG11	10064699

25.02.2021

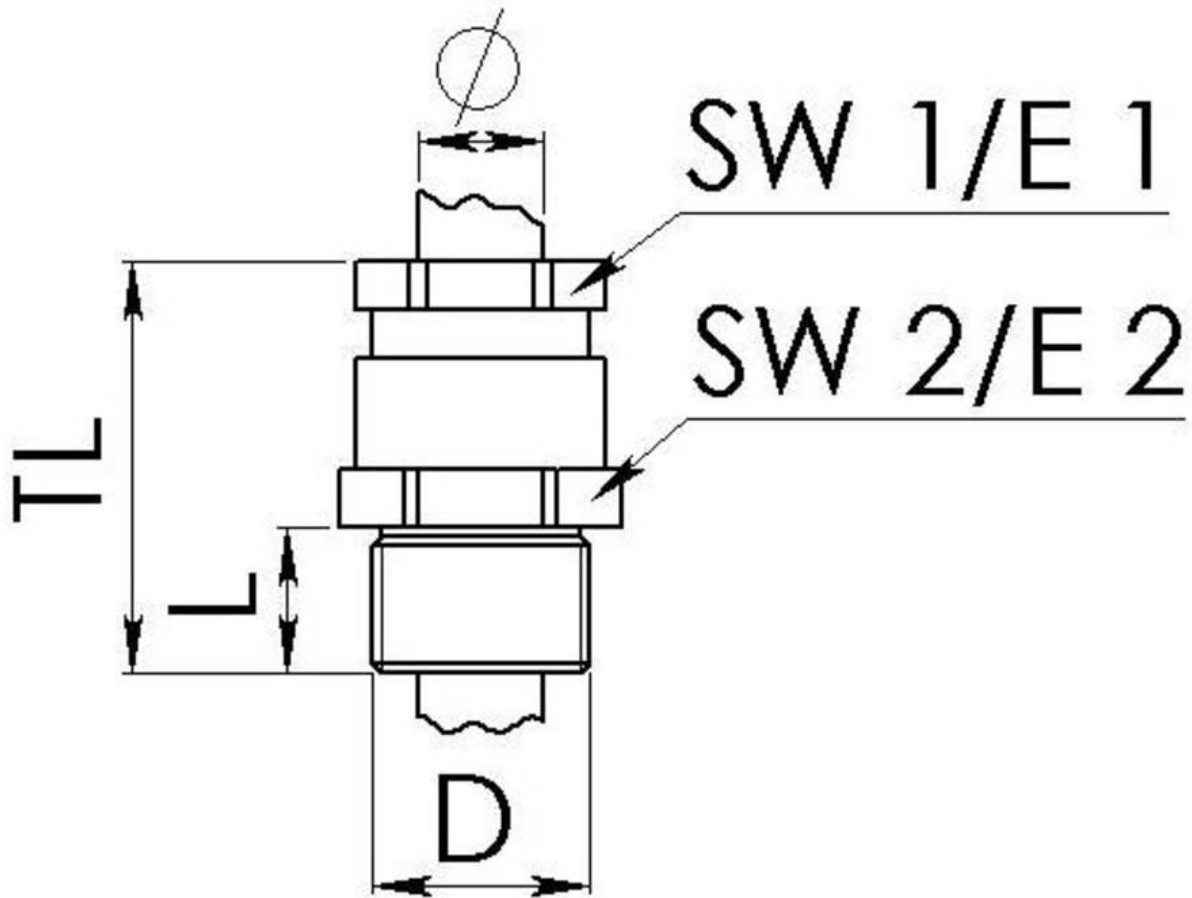
Your Contact:

WISKA Hoppmann GmbH

Kisdorfer Weg 28 · 24568 Kaltenkirchen · Germany

 +49-4191-508-0 ·  +49-4191-508-209

contact@wiska.de · www.wiska.com



Your Contact:

WISKA Hoppmann GmbH

Kisdorfer Weg 28 · 24568 Kaltenkirchen · Germany

☎ +49-4191-508-0 · 📠 +49-4191-508-209

contact@wiska.de · www.wiska.com