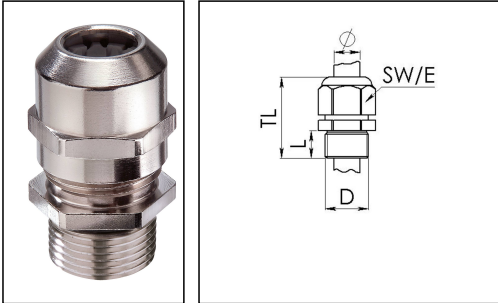


## EMSKV-L 12

Cable gland, brass nickel-plated, M12, with long thread



Products may differ in size, colour and appearance to those shown. If you require further information or customisation, please contact us directly.



Material cable gland	Brass nickel-plated
Material clamping cage	Polyamide
Material sealing gasket	EPDM
Temp. range min	-40 °C
Temp. range max	100 °C
Protection class	IP68 (5 bar 30 min), IP69
Thread type	M
Ø Connection thread D	12
Lead	1,5
Length screw-in thread L	12 mm
Ø cable diameter min	3 mm
Ø cable diameter max	7 mm
Ø cable diameter UL	4,1 mm - 6 mm
Key width SW	16 mm
Collar diameter (E)	18 mm
Total length TL	30 mm - 37 mm
Type of cable anchorage	A
Install. torques fitting	4 N m
Install. torques cap nut	4 N m
Impact category	6
Surface	Nickel-plated
Order no. nickel-plated	10065008
Packing unit	50
Type	EMSKV-L 12
ETIM-Classification	EC000441

Your Contact:

WISKA Hoppmann GmbH

Kisdorfer Weg 28 · 24568 Kaltenkirchen · Germany

☎ +49-4191-508-0 · 📠 +49-4191-508-209

contact@wiska.de · www.wiska.com

**Recommended accessories**

<b>RDE 12</b>	10062183
<b>EMMU 12</b>	10063141
<b>BS 7</b>	10064005
<b>MFD 12/04/020</b>	10064392
<b>MFD 12/02/020</b>	10100525

23.02.2021

Your Contact:

**WISKA Hoppmann GmbH**

Kisdorfer Weg 28 · 24568 Kaltenkirchen · Germany

 +49-4191-508-0 ·  +49-4191-508-209

contact@wiska.de · www.wiska.com



Your Contact:

**WISKA Hoppmann GmbH**

Kisdorfer Weg 28 · 24568 Kaltenkirchen · Germany

☎ +49-4191-508-0 · 📠 +49-4191-508-209

contact@wiska.de · www.wiska.com