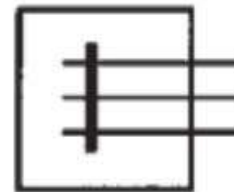


Scotchlok® 314

Self-Stripping Moisture Resistant, Electrical Pigtail Connector



Product Description

3M™ Scotchlok® 314 Electrical Pigtail Connector electrically connects two or three wire ends, insulates the connection, and provides additional moisture-resistant sealing in junction or distribution boxes and other protected connections.

Applications

0.5 - 1.5 mm² (22-14 AWG) solid or stranded, tinned or untinned copper conductors.

For use with common thermoplastic insulated wires: T, TF, TFF, TFN, TFFN, AWM, TEW, SAE-GPT.

Maximum insulation diameter of 3.8mm (0.150").

Maximum recommended current for general purpose applications acc. IEC60998-3-1

Cross section	Max. current
0.5 mm ²	6 A
1.5 mm ²	17.5 A

Typical Properties

U-Contact:	Tin-plated brass, 0.5mm (0.02") thick
Insulator:	Flame-retardant nylon
Colour:	Cap-Blue, Body-White
Sealant:	Mineral Oil Base EG-3 grease
Weight:	3.49g

Engineering / Architectural Specification

Self-Stripping Electrical Connector (as manufactured by 3M, part No. 314) can connect 2 or 3 wires in the range of 0.5mm² up to 1.5mm² (22 AWG - 14 AWG) solid or stranded copper wire in a pigtail application while insulating the connection. The VDE Approval and certification according to EN60998 provides voltage rating of 600V, at operating temperature of 105°C.

Connector is UL Listed and CSA Certified for 600V maximum (building wire) and 1000V maximum (signs, fixtures and luminaires) and temperature rated 105°C maximum.

Recommended Installation Tool

Mechanics (slip joint) pliers

Storage

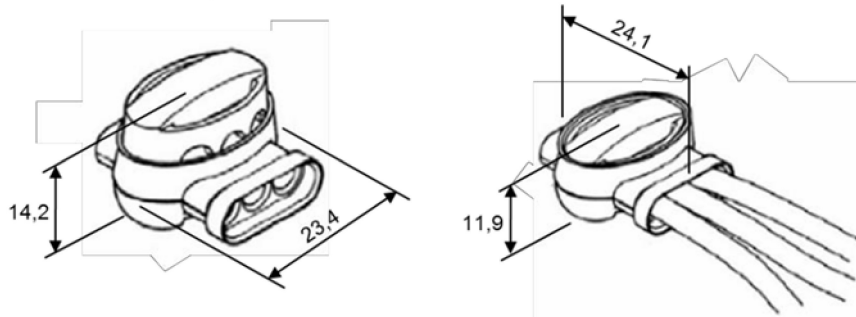
3M™ Scotchlok® 314 Connector has a 5 year shelf life from the date of manufacture, when stored in humidity controlled conditions (10°C to 27°C and <75% relative humidity)

Installation Techniques

! WARNING !

Turn power off before installing or removing terminal. All electrical work should be done according to appropriate electrical codes.

1. Insert 2 or 3 unstripped wires completely into the connector and check their position by looking through the translucent connector body.
2. Hold the tool perpendicular to the wires and make the connection by driving the cap down flush with the top edge of the connector body.



(Dimensions: mm)

Agency Approvals and Self Certifications

UL Listed, Standard 486C, UL File E23438

CSA certified - CSA Std. C22.2 No. 0. 188-MI983, CSA File No. LR15503

Voltage rated 600 volts maximum, building wire: 1000 volts maximum, signs, fixtures and luminaires, and temperature rated 105 °C maximum.

Note: UL Listed and CSA Certified for AWG only.

VDE approval file No.40051294 according to EN60998 up to 600V for IDC Type connectors

Note: VDE Listed and certified for mm² range.

Connector is not recommended for direct underground burial or other submerged applications. For mechanical protection an additional housing is recommended.



Important Notice: Before using this product, you must evaluate it and determine if it is suitable for your intended application. You assume all risks and liability associated with such use. All statements, technical information, and recommendations related to 3M's products are based on information believed to be reliable, but the accuracy or completeness is not guaranteed. Before using this product, you must evaluate it and determine if it is suitable for your intended application. You assume all risks and liability associated with such use. Any statements related to the product which are not contained in 3M's current publications, or any contrary statements contained on your purchase order shall have no force or effect unless expressly agreed upon, in writing, by an authorized officer of 3M.

Warranty; Limited Remedy; Limited Liability. This product will be free from defects in material and manufacture at the time of purchase. 3M MAKES NO OTHER WARRANTIES INCLUDING, BUT NOT LIMITED TO, ANY IMPLIED WARRANTY OF MERCHANTABILITY OR FITNESS FOR A PARTICULAR PURPOSE. If this product is defective within the warranty period stated above, your exclusive remedy shall be, at 3M's option, to replace or repair the 3M product or refund the purchase price of the 3M product. Except where prohibited by law, 3M will not be liable for any loss or damage arising from this 3M product, whether direct, indirect, special, incidental or consequential regardless of the legal theory asserted.



Electrical Markets Division
3M UK PLC, 3M Centre, Cain Rd,
Bracknell RG12 8HT, United Kingdom
0870 609 4639
www.3M.co.uk/electrical

Electrical Markets Division
3M Ireland Ltd, The Iveagh Building, The
Park, Carrickmines, Dublin 18, Ireland
1 800 812 732
www.3M.co.uk/electrical

3M and is a trademarks of the 3M
company.
© 3M 2020. All rights reserved.

Issue 2