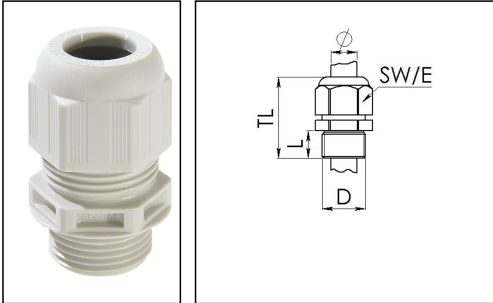


ESKV 20

Cable gland, polyamide, M20, RAL 7035 with short thread



Products may differ in size, colour and appearance to those shown. If you require further information or customisation, please contact us directly.



| | |
|--------------------------|---------------------------|
| Material cable gland | Polyamide |
| Material sealing gasket | EPDM |
| Protection class | IP69, IP68 (5 bar 30 min) |
| Temp. range min | -40 °C |
| Temp. range max | 100 °C |
| Glow wire test | 750 °C |
| Thread type | M |
| Ø Connection thread D | 20 |
| Lead | 1,5 |
| Length screw-in thread L | 10 mm |
| Ø cable diameter min | 6 mm |
| Ø cable diameter max | 13 mm |
| Ø cable diameter UL | 7,5 mm - 11,3 mm |
| Key width SW | 24 mm |
| Collar diameter (E) | 27 mm |
| Total length TL | 36 mm - 45 mm |
| Type of cable anchorage | A |
| Install. torques fitting | 4 N m |
| Install. torques cap nut | 3 N m |
| Impact category | 3 |
| Product Color | RAL 7035 |
| Type | ESKV 20 |
| Order no. RAL 7035 | 10066412 |
| Packing unit | 50 |
| ETIM-Classification | EC000441 |

Your Contact:

WISKA Hoppmann GmbH
Kisdorfer Weg 28 · 24568 Kaltenkirchen · Germany
☎ +49-4191-508-0 · 📠 +49-4191-508-209
contact@wiska.de · www.wiska.com

Recommended accessories

| | |
|-----------------------|----------|
| EMUG 20 | 10060772 |
| MFD 20/02/065 | 10060953 |
| RDE 20 | 10062185 |
| EADR 20 | 10062803 |
| BS 13 | 10064010 |
| MFD 20/03/040 | 10064341 |
| MFD 20/02/060 | 10064395 |
| MFD 20/02/050 | 10101015 |
| MFD 20/03/045 | 10102306 |
| MagikNUT 20 LG | 10110661 |

17.12.2020

Your Contact:

WISKA Hoppmann GmbH

Kisdorfer Weg 28 · 24568 Kaltenkirchen · Germany

☎ +49-4191-508-0 · 📠 +49-4191-508-209

contact@wiska.de · www.wiska.com



Your Contact:

WISKA Hoppmann GmbH

Kisdorfer Weg 28 · 24568 Kaltenkirchen · Germany

☎ +49-4191-508-0 · 📠 +49-4191-508-209

contact@wiska.de · www.wiska.com