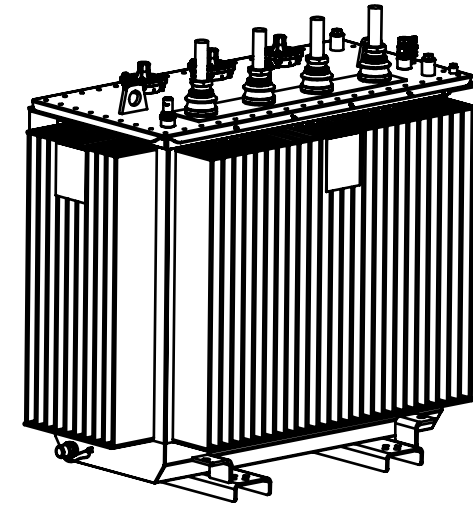


1	Corrugated wall
2	Thermometer pocket
3	Oil filling valve
4	Lifting lugs
5	Earthing terminal
6	Oil sampling & drain valve
7	H.V Bushings
8	L.V. Bushings
9	Rating plate
10	Tap changer
11	Oil level indicator
Oil Weight	= 540 kg
Active Part Weight	= 1630 kg
Total Weight	= 2590 kg



All dimensions and weights have (+-) 10% tolerances

App./Onay				Kritiklik sınıfı /Criticality Class:
Checked /Kontrol	Samet BALCI	7.12.2020		
Drawn/Çizen	Onur SAĞLAM	7.12.2020		Tolerans sınıfı / Tolerance Class: ISO 2768-c
	Adı Soyadı/Name Surname	Tarih/Date	İmza/Sign	
	Malzeme/Material	Kaplama/Coat:	Renk/Color:	
SERTLIK/HARDNER:		Sac Kalın./ Sheet Thic.: -mm	Adet/Tk. Qty/Ass.: -	
ÖLÇEK/SCALE 1:20	Kontrol ölçüleri/ Control Dimensions	Weight/ Ağırlık: -kg	SHEET 1 OF 1	

ULUSOY ELEKTRİK
İMALAT TAAHHÜT
TİCARET A.Ş.

ULUSOY
electric
An Eaton Brand

Parça Adı/Part Name:
YT-1157-1000 kVA 20,5-0,41kV-GENERAL
ARRANGEMENT DRAWING

A4

STOK NO: