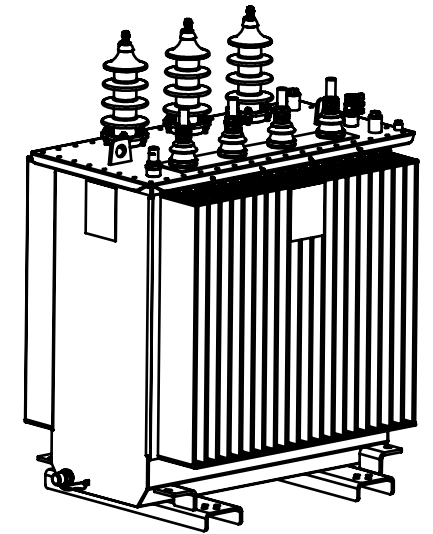

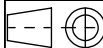
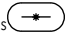


1	Corrugated wall
2	Thermometer pocket
3	Oil filling valve
4	Lifting lugs
5	Earthing terminal
6	Oil sampling & drain valve
7	H.V Bushings
8	L.V. Bushings
9	Rating plate
10	Tap changer
11	Oil level indicator
Oil Weight = 360 kg	
Active Part Weight = 1180 kg	
Total Weight = 1780 kg	



All dimensions and weights have (+-) 10% tolerances

App./Onay				Kritiklik sınıfı /Criticality Class:	<b>ULUSOY ELEKTRİK</b> <b>İMALAT TAAHHÜT</b> <b>TİCARET A.Ş.</b>  An Eaton Brand
Checked /Kontrol	Samet BALCI	7.12.2020			
Drawn/Çizen	Onur SAĞLAM	7.12.2020		Tolerans sınıfı / Tolerance Class: ISO 2768-c	
	Adı Soyadı/Name Surname	Tarih/Date	İmza/Sign		
	<u>Malzeme/Material</u>	<u>Kaplama/Coat:</u>	<u>Renk/Color:</u>	<u>Parça Adı/Part Name:</u>	
SERTLİK/HARDNER:		Sac Kalın./ Sheet Thic.: -mm	<u>Adet/Tk. Qty/Ass.:</u> -	YT-1148-500 kVA 20,5-0,41kV-GENERAL ARRANGEMENT DRAWING	
<u>ÖLÇEK/SCALE</u> 1:20	Kontrol ölçüleri/ Control Dimensions 	Weight/ Ağırlık: -kg	SHEET 1 OF 1	<b>STOK NO:</b>	<b>A4</b>