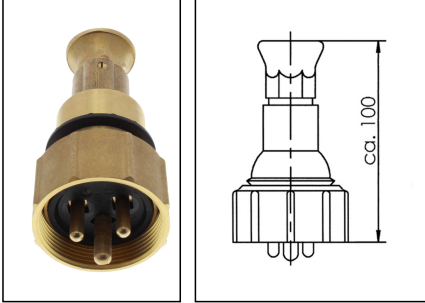


1142/MS/250V-1xW10

HNA plug 16A 250V, brass, IP56



Products may differ in size, colour and appearance to those shown. If you require further information or customisation, please contact us directly.



WISKA-Order no.	10010677
Type	1142/MS/250V-1xW10
Material	Brass
Voltage	250 V
Type of Voltage	AC
Current	16 A
Protection class	IP56
Temp. range min	-25 °C
Temp. range max	45 °C
Terminals/poles	2-pole
plug insert	HNA
Type of cable gland	M 24 x 1,5
Ø cable diameter min	8 mm
Ø cable diameter max	10,5 mm
Type of cable	non-armoured
Norm	HNA, DIN 89267
Weight	0,55 kg

Remarks:

Max. 10A DC

Spare parts

SP-137/250V HNA-Plug interior	22000383
SP-HNA Gasket	22000860
SP-GR/HNA/FS R 1 3/8" Ring nut clear	22000868

Your Contact:

WISKA Hoppmann GmbH

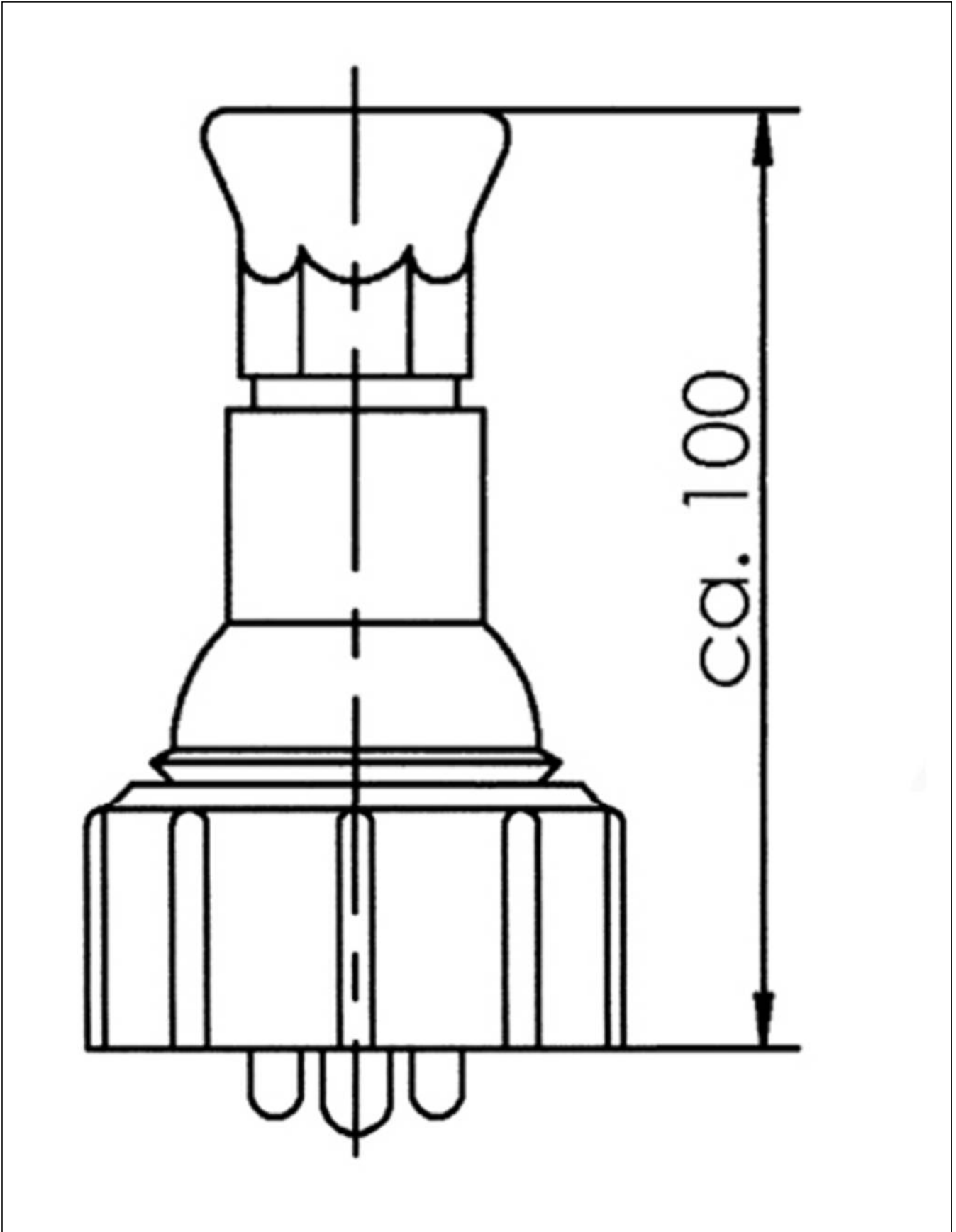
Kisdorfer Weg 28 · 24568 Kaltenkirchen · Germany

☎ +49-4191-508-0 · 📠 +49-4191-508-209

contact@wiska.de · www.wiska.com

02.10.2020

Your Contact:
WISKA Hoppmann GmbH
Kisdorfer Weg 28 · 24568 Kaltenkirchen · Germany
☎ +49-4191-508-0 · 📠 +49-4191-508-209
contact@wiska.de · www.wiska.com



Your Contact:

WISKA Hoppmann GmbH

Kisdorfer Weg 28 · 24568 Kaltenkirchen · Germany

☎ +49-4191-508-0 · 📠 +49-4191-508-209

contact@wiska.de · www.wiska.com