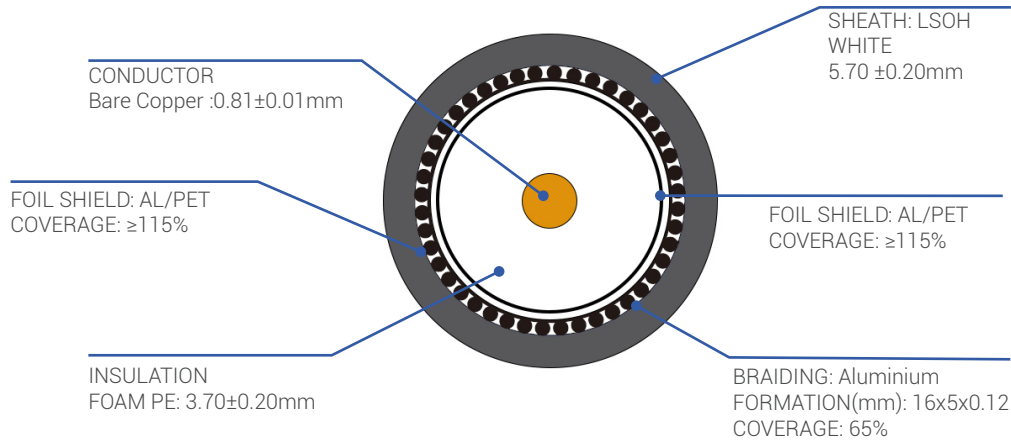


SAT 5 Class A



Available Color : ○

Packing Available:



TYPICAL ATTENUATION @20°C(dB/100m)

5 MHz	2.90
55 MHz	6.73
250 MHz	13.45
400 MHz	16.73
870 MHz	24.85
1000 MHz	26.64
1300 MHz	30.60
2150 MHz	39.70
2600 MHz	42.80
3000 MHz	46.90

STRUCTURAL RETURN LOSS

5~470 MHz	≥ 20 dB
470~1000 MHz	≥ 18 dB
1000~3000 MHz	≥ 15 dB

ELECTRICAL CHARACTERISTICS

IMPEDANCE	75 Ω±3
INNER CONDUCTOR DC RESISTANCE @20C°	≤ 34.5 Ω/Km
OUTER CONDUCTOR DC RESISTANCE @20C°	≤ 20 Ω/Km
CAPACITANCE	54±3 pF/m
VELOCITY OF PROPAGATION	82% +/- 3
INSULATION RESISTANCE	≥ 5000 MΩ.Km
TRANSFER IMPEDANCE @ 5-30MHz (CLASS A+):	≤5 mΩ/m
SCREENIN ATTENUATION (CLASS A+) 30-1000 MHz	≥85 dB

ORDERING INFORMATION

ITEM	SHEATH	PACKAGING (M)	DoP NUMBER
BSY-CO19C65SALLO	LSOH	S100 / D500/D1000/TGL	DOP-BSY15-XX