

Putkipidin 278 Zn

Sähkösinkitty metallirunkoinen putkipidin putki- ja viemäriputkistoille seinä-, katto- ja lattiakannatuksiin.

- Raaka-aine teräs 1.0332 DIN EN 10111 mukaisesti
- Sinkityksen vahvuus 8-12 mikrometriä.
- Kahdella ruuvilla, sivulle aukeava.
- Putken kiinnitys kombi-ruuvilla (ura/ristipää).



Pipe clamp 270 Zn Onnline

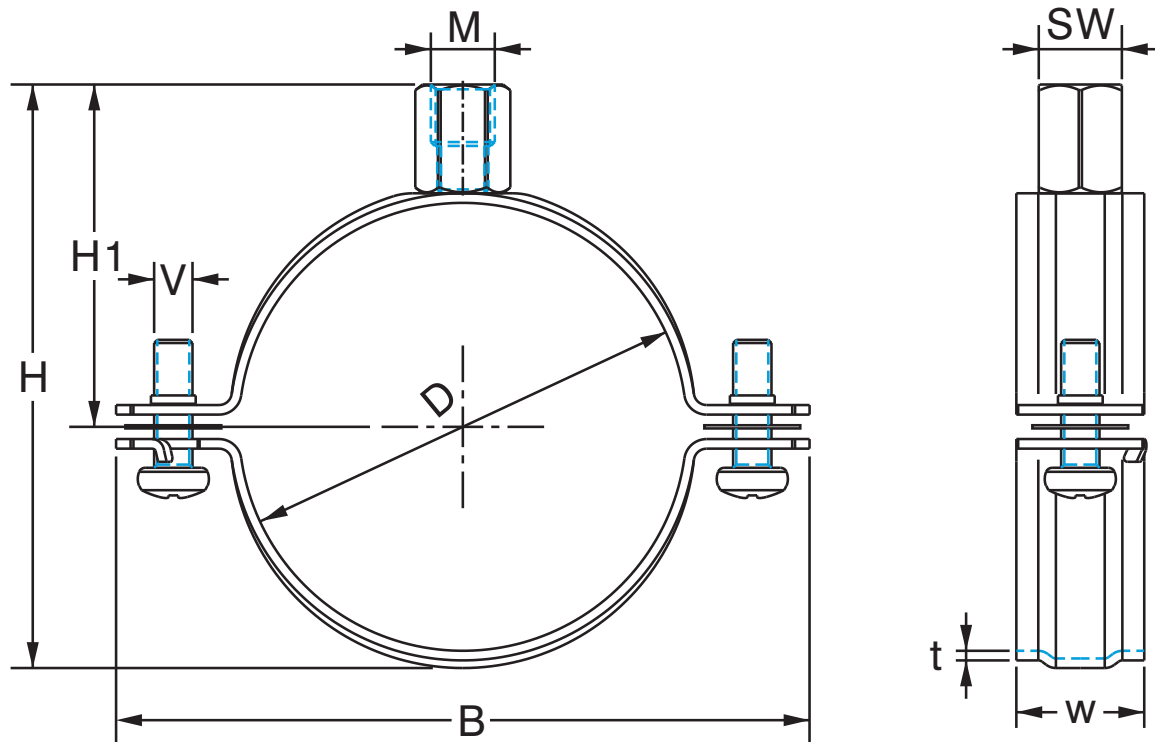
Electro zinc plated rubber isolated pipe clamps for pipe lines, such as heating, sanitary and waste water pipes, to walls, ceilings and floors.

- Raw material steel 1.0332 according to DIN EN 10111
- Zinc plated 8-12 micrometers
- With two screws, side opening construction
- Locking screws – Combi-slot screw

Rörklamma 270 Zn Onnline

Elförzinkat gummi isolerad rörupphängning för varmvattens-, sanitetseller avloppsrör monterat på vägg, tak och golv.

- Råmaterial enligt DIN EN 10111
- Förzinkingens tjocklek 8-12 mm.
- Med två skruv, Åt sidan öppnande konstruktion
- Röret fästs med kombi-skruv (spår/krysskruv)



| SAP | LVI | Nimi | Kokoalue (D) | Max/safe Load (N) | M | w x t | B | H | H1 | SW | V |
|--------|---------|-------------------|--------------|-------------------|--------|--------|-----|-----|-----|----|-------|
| AIU585 | 3219403 | PUTKIPIDIN 278 Zn | 12-14mm | 1000 | M8 | 20x1,2 | 47 | 26 | 16 | 13 | M6x20 |
| AIU118 | 3219404 | PUTKIPIDIN 278 Zn | 14-18mm | 1000 | M8 | 20x1,2 | 50 | 30 | 18 | 13 | M6x20 |
| AIS860 | 3219405 | PUTKIPIDIN 278 Zn | 20-25mm | 1000 | M8 | 20x1,2 | 57 | 37 | 22 | 13 | M6x20 |
| AIM636 | 3219406 | PUTKIPIDIN 278 Zn | 26-31mm | 1000 | M8 | 20x1,2 | 64 | 43 | 25 | 13 | M6x20 |
| AIU441 | 3219407 | PUTKIPIDIN 278 Zn | 32-36mm | 1000 | M8 | 20x1,2 | 69 | 48 | 27 | 13 | M6x20 |
| AIQ214 | 3219408 | PUTKIPIDIN 278 Zn | 40-46mm | 1000 | M8 | 20x1,2 | 79 | 58 | 32 | 13 | M6x20 |
| AIP524 | 3219410 | PUTKIPIDIN 278 Zn | 47-51mm | 1000 | M8 | 20x1,2 | 85 | 63 | 35 | 13 | M6x20 |
| AIS778 | 3219411 | PUTKIPIDIN 278 Zn | 50-56mm | 1200 | M8/M10 | 20x1,5 | 94 | 77 | 47 | 13 | M6x25 |
| AIP685 | 3219412 | PUTKIPIDIN 278 Zn | 57-62mm | 1200 | M8/M10 | 20x1,5 | 100 | 84 | 50 | 13 | M6x25 |
| AIU249 | 3219415 | PUTKIPIDIN 278 Zn | 74-80mm | 1200 | M8/M10 | 20x1,5 | 118 | 102 | 59 | 13 | M6x25 |
| AIO594 | 3219417 | PUTKIPIDIN 278 Zn | 83-91mm | 1200 | M8/M10 | 20x1,5 | 129 | 113 | 64 | 13 | M6x25 |
| AIW659 | 3219420 | PUTKIPIDIN 278 Zn | 108-114mm | 2100 | M8/M10 | 25x2,0 | 157 | 137 | 76 | 13 | M8x25 |
| AIM275 | 3219421 | PUTKIPIDIN 278 Zn | 118-125mm | 2100 | M8/M10 | 25x2,0 | 168 | 148 | 82 | 13 | M8x25 |
| AIT096 | 3219423 | PUTKIPIDIN 278 Zn | 136-142mm | 2100 | M8/M10 | 25x2,0 | 185 | 165 | 90 | 13 | M8x25 |
| AIP118 | 3219425 | PUTKIPIDIN 278 Zn | 159-163mm | 2100 | M8/M10 | 25x2,0 | 207 | 186 | 101 | 13 | M8x25 |
| AIQ210 | 3219426 | PUTKIPIDIN 278 Zn | 165-169mm | 2100 | M8/M10 | 25x2,0 | 213 | 192 | 104 | 13 | M8x25 |