

Manual for OS-E1UF Cable Gland

1. Application

OS-E1UF Cable gland is for use with all type of armoured cable for Zone 1 & Zone 2 in hazardous area.

2. Standard Applicable

ATEX

EN 60079-0:2012+A11:2013
 EN 60079-1:2014
 EN 60079-7:2015
 EN 60079-15:2010
 EN 60079-31:2014

IECEX

IEC 60079-0:2011 Ed. 6
 IEC 60079-1:2014 Ed. 7
 IEC 60079-7:2015 Ed. 5
 IEC 60079-15:2010 Ed. 4
 IEC 60079-31:2013 Ed. 2

3. Certificate No. & Special conditon 'X'

- A. IECEX : IECEX PRE 17.0063X
 B. ATEX : 17 ATEX 11456X
 C. Special condition 'X' :
 1) Ambient temperature : -60°C ~ +110°C (IEC 60079-0 5.1.1)

4. Technical data

- A. Process control system : ISO 9001 : 2008, ISO 14001 - 2004 , RoHs
 B. Certification : IECEX, ATEX
 C. Marking : II2G Ex db IIC Gb, Ex eb IIC Gb, II2D Ex tb IIIC Db
 D. Suitable for use in Zone 1, Zone 2, Zone 21 & Zone 22
 E. Suitable for use in gas Groups IIA, IIB and IIC, dust Groups IIIA, IIIB and IIIC
 F. Service Temperature: -60°C~+110°C°
 G. Ingress protection: IP66/68 (IEC 60529 / EN 60529)
 H. Accessories: Lock nut, Sealing Washer, shroud, serrated washer(tooth/teeth washer) and earth tag
 I. Materials: Brass C3604 BE-F(CuZn38Pb4) / Brass C3604 BE-F with Nickel Plated / STS304 / ANSI 316 /
 J. Threads engaged ≥5 (IEC 60079-1 5.3 Threaded joints)

5. Cable Specification for OS-E1UF

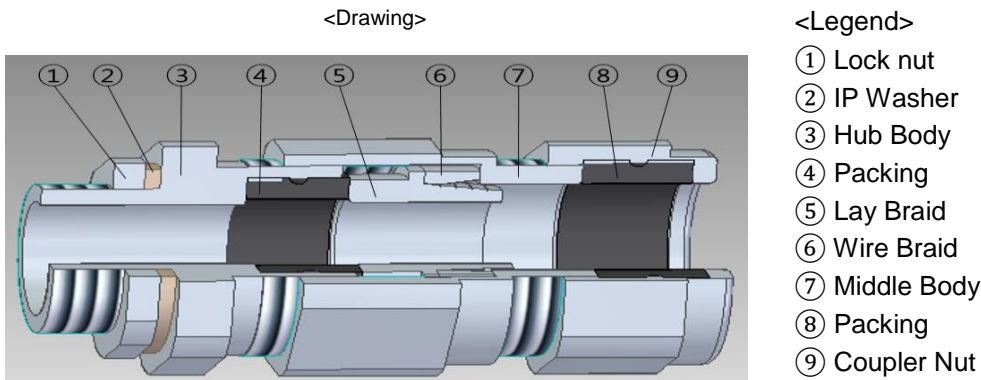
NOMINAL TYPE		16	20	25	32	40	50	63	63X	75	75X	90	100	115
ENTRY THREAD SIZE	METRIC	M16x1,5 M20x1,5	M20x1,5 M25x1,5	M25x1,5	M32x1,5	M40x1,5	M50x1,5	M63x1,5	M63x1,5	M75x1,5 or 2,0	M75x1,5 or 2,0	M90x1,5 or 2,0	M100x1,5 or 2,0	M115x1,5 or 2,0
	NPT	NPT 1/2"	NPT 1/2" NPT 3/4"	NPT 3/4" NPT 1"	NPT 1" NPT 1-1/4"	NPT 1-1/4" NPT 1-1/2"	NPT 1-1/2" NPT 2"	NPT 2" NPT 2-1/2"	NPT 2-1/2"	NPT 2-1/2" NPT 3"	NPT 3"	NPT 3" NPT 3-1/2"	NPT 3-1/2" NPT 4"	NPT 4"
CABLE INNER DIA	MIN.	5,0	7,5	13,0	16,5	23,0	29,0	39,0	46,0	52,0	59,0	66,0	76,0	88,0
	MAX.	11,5	15,2	19,6	26,2	32,3	41,5	50,0	55,0	61,0	67,0	80,0	90,5	102,0
CABLE OUTER DIA	MIN.	7,0	12,0	17,0	22,0	30,0	38,0	45,0	52,0	58,0	66,1	72,0	84,0	100,0
	MAX.	16,1	21,0	26,2	34,0	42,0	53,7	60,0	66,0	72,0	79,0	90,0	102,0	118,0
HEXAGON SIZE		H25*27	H31*33	H37*40	H47*50	H56*60	H70*75	H77*82	H82*88	H92*100	H98*106	H110*120	H123*133	H135*143

6. Instruction for Installation

A. Preparation tools before the product installation (Recommendation):

Spanner 2ea, ruler, pen, cable cutter, clipper

B. Product assembled view

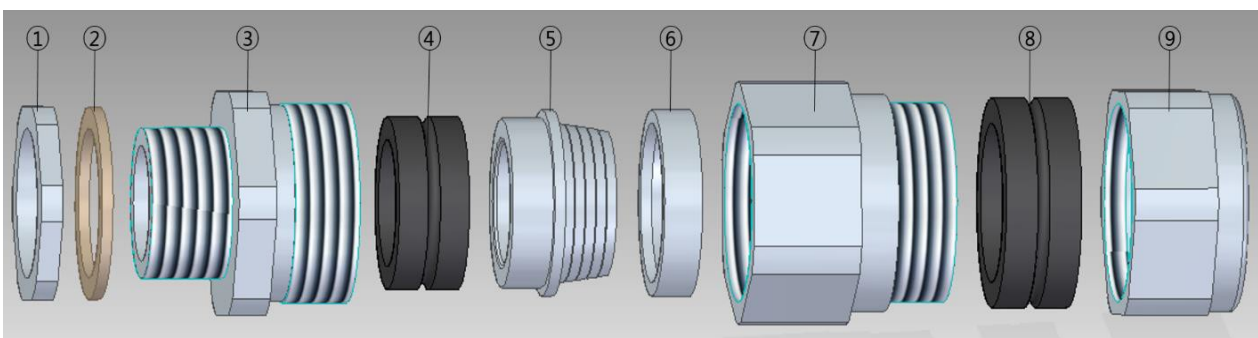


C. Product Installation

- 1) Check the specification and diameter of cable to select the cable gland size.
 - 2) Disassemble the ③hub body from ⑦middle body and assemble ③hub body to the equipment
 - 3) Except for ⑤lay braid, put the cable into gland(⑥ to ⑨)
 - 4) Peel out the outer jacket of cable by cable cutter, and cut the cable armour/braid wire by clipper.
 - 5) Leave enough length of wire to fit it in between ⑤lay braid and ⑥wire braid.
 - 6) While the wire is fitted in between ⑤lay braid and ⑥wire braid, tighten them into ③hub body.
 - 7) Tighten ⑦middle body and ⑨coupler nut accordingly by spanner.
- *⑨coupler nut does not have to be tightened extremely
- D. Notes in installations**
- 1) Be cautious when using the tools.
 - 3) When assembling gland body to equipment, IP washer shall be placed in between, and it shall be by gland fully to maintain IP grade.
 - 4) Be careful not to damage the core by the tool when removing the outer sheath of the cable.
 - 5) Locknut is a part of protection for Ex e and Ex tb.
 - 6) Clamping of cable shall be installed to ensure that pulling and twisting is not transmitted to the terminal.

E. Torque value

1) Product disassembled view



2) ⑦ Middle Body & ① Lock nut torque(N.m) value

Size	16	20	25	32	40	50	63	75	90	100	115	
THREAD TYPE	METRIC	M16x1.5 M20x1.5	M20x1.5 M25x1.5	M25x1.5	M32x1.5	M40x1.5	M50x1.5	M63x1.5	M75x1.5 or 2.0	M90x1.5 or 2.0	M100x1.5 or 2.0	M115x1.5 or 2.0
	NPT	NPT 1/2"	NPT 1/2" NPT 3/4"	NPT 3/4" NPT 1"	NPT 1" NPT 1-1/4"	NPT 1-1/4" NPT 1-1/2"	NPT 1-1/2" NPT 2"	NPT 2" NPT 2-1/2"	NPT 2-1/2" NPT 3"	NPT 3" NPT 3-1/2"	NPT 3-1/2" NPT 4"	NPT 4"
Middle Body	30	35	45	50	60	80	90	120	180	240	240	
Lock nut(S/L)	20	20 / 25	25 / 45	45 / 50	50 / 60	60 / 85	85 / 100	100 / 120	120 / 140	140 / 160	160	



EU DECLARATION OF CONFORMITY



OSCG CO., Ltd
 (Samrak-Dong), 1242, Nakdong-Daero,
 Sasang-Gu Busan
 Korea



declares under the sole responsibility that the following product:

Product designation:	Cable gland
Type designation:	OS-E1UF
Approval number:	Presafe 17 ATEX 11456X
Description:	Cable gland for electrical installation
Production Quality Assessment Notification:	Nemko 03ATEX4338Q

corresponds to all the relevant provisions of the directives listed below and valid harmonized and / or international and national standards - including all applicable changes at this time of issuing this document.

Directive	Standard
2014/34/EU Equipment and protective systems intended for use in potentially explosive atmospheres (ATEX)	EN 60079-0:2012 + A11:2013 EN 60079-1:2014 EN 60079-7:2015 EN 60079-31:2014
2014/35/EU Electrical apparatus (Low voltage directive)	EN 62444:2013

Product details:

Marking:	II 2 G Ex db IIC Gb II 2 G Ex eb IIC Gb II 2 D Ex tb IIIC Db
Ambient temperature range:	-60°C ... +110°C

Name and address of importer:	WISKA Hoppmann GmbH Kisdorfer Weg 28 24568 Kaltenkirchen, Germany Fon: +49-4191-508-100 E-mail: contact@wiska.de
-------------------------------	--

2018-11-06, Busan

.....
Date & place of issue

.....
Engineering Director
Signature of Authorized Person
I.J.Kim

