

Manual for OS-A2F-U Cable Gland

1. Application

OS-A2F-U Cable gland is non armoured type of cable gland for Zone 1 & Zone 2 in hazardous area.

2. Standard Applicable

ATEX	IECEX
EN 60079-0:2012+A11:2013	IEC 60079-0:2011 Ed. 6
EN 60079-1:2014	IEC 60079-1:2014 Ed. 7
EN 60079-7:2015	IEC 60079-7:2015 Ed. 5
EN 60079-15:2010	IEC 60079-15:2010 Ed. 4
EN 60079-31:2014	IEC 60079-31:2013 Ed. 2

3. Certificate No. & Special conditon 'X'

A. IECEX : IECEX PRE 17.0062X

B. ATEX : 17 ATEX 11454X

C. Special condition 'X' :

1) Ambient temperature : -60°C ~ +110°C (IEC 60079-0 5.1.1)

4. Technical data

A. Process control system : ISO 9001 : 2008, ISO 80079-34 : 2011, ISO 14001 - 2004 , RoHs

B. Certification : IECEX, ATEX

C. Marking : II2 G Ex db IIC / Ex eb IIC / II2 D Ex tb IIIC

D. Suitable for use in Zone 1, Zone 2, Zone 21 & Zone 22

E. Suitable for use in gas Groups II A, II B and II C, dust Groups III A, III B and III C

F. Service Temperature: -60C°~+110C°

G. Ingress protection: IP66/67 (IEC 60529 / EN60529)

H. Accessories: Lock nut, Sealing Washer, shroud, serrated washer(tooth/teeth washer) and earth tag

I. Materials: Brass C3604 BE-F(CuZn38Pb4) / Brass C3604 BE-F with Nickel Plated / STS304 / ANSI 316 / ANSI 316L

J. Threads engaged ≥5 (IEC 60079-1 5.3 Threaded joints)

5. Cable Specification for OS-A2F-U Series

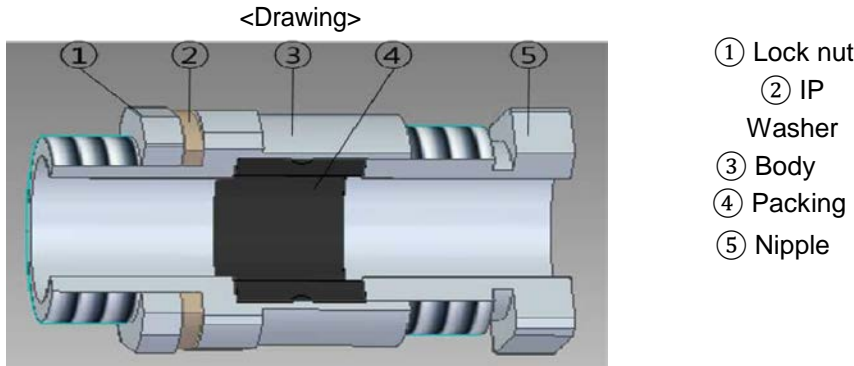
NOMINAL TYPE		16	16X	20	25	32	40	50	63	63X	75	75X	90	100	115
ENTRY THREAD SIZE	METRIC	M16x1,5 M20x1,5	M16x1,5 M20x1,5	M20x1,5 M25x1,5	M25x1,5	M32x1,5	M40x1,5	M50x1,5	M63x1,5	M63x1,5	M75x1,5 or 2,0	M75x1,5 or 2,0	M90x1,5 or 2,0	M100x1,5 or 2,0	M115x1,5 or 2,0
	NPT	NPT 1/2"	NPT 1/2"	NPT 1/2" NPT 3/4"	NPT 3/4" NPT 1"	NPT 1" NPT 1-1/4"	NPT 1-1/4" NPT 1-1/2"	NPT 1-1/2" NPT 2"	NPT 2" NPT 2-1/2"	NPT 2-1/2"	NPT 2-1/2" NPT 3"	NPT 3"	NPT 3" NPT 3-1/2"	NPT 3-1/2" NPT 4"	NPT 4"
CABLE DIA	MIN.	3,0	5,0	9,0	13,0	17,0	22,0	30,0	39,0	45,0	54,0	58,0	66,0	77,0	88,0
	MAX.	7,0	10,3	15,3	20,0	26,5	32,0	42,0	51,0	55,0	61,0	68,0	78,0	89,0	101,0
HEXAGON SIZE		H24*26	H24*26	H27*29	H32*34	H39*41,5	H48*51	H58*62	H73*75	H73*75	H85*90	H94*99	H103*109	H112*120	H123*133

6. Instruction for Installation

A. Prepare tools before the product installation (Recommendation):

Spanner 2ea, ruler, pen, cable cutter, clipper

B. Product assembled view



C. Product Installation

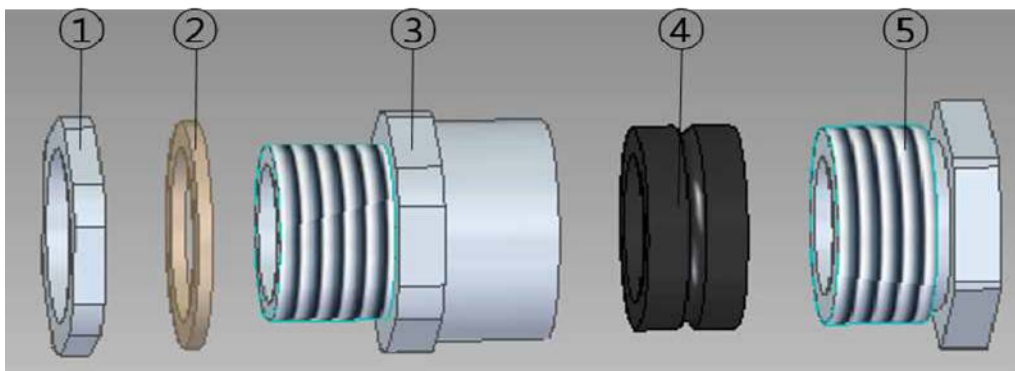
- 1) Check the specification and diameter of cable to select the cable gland size.
- 2) Assemble the gland to the equipment
- 3) Tighten ① lock nut inside the equipment fully
- 4) Put cable into the gland
- 5) Tighten ⑤ nipple by spanner

D. Notes in installations

- 1) Be cautious when using the tools and edge of the cable gland or lock nut.
- 2) When assembling gland body to equipment, IP washer shall be placed in between, and it shall be tightened by gland fully to maintain IP grade.
- 3) Be careful not to damage the core by the tool when removing the outer sheath of the cable.
- 4) Locknut is a part of protection for Ex e and Ex tb.
- 5) Clamping of cable shall be installed to ensure that pulling and twisting is not transmitted to the terminal.

E. Torque value

1) Product disassembled view



2) ⑤ Nipple(Compression nut) & ① Lock nut torque(N.m) value

(in mm)

Size	16	16X	20	25	32	40	50	63	63X	75	75X	90	100	115	
THREAD	METRIC	M16x1.5	M16x1.5	M20x1.5	M25x1.5	M32x1.5	M40x1.5	M50x1.5	M63x1.5	M63x1.5	M75x1.5	M75x1.5	M90x1.5	M100x1.5	M115x1.5
		M20x1.5	M20x1.5	M25x1.5							or 2.0	or 2.0	or 2.0	or 2.0	or 2.0
TYPE	NPT	NPT 1/2"	NPT 1/2"	NPT 1/2"	NPT 3/4"	NPT 1"	NPT 1-1/4"	NPT 1-1/2"	NPT 2"	NPT 2"	NPT 2-1/2"	NPT 2-1/2"	NPT 3"	NPT 3-1/2"	NPT 4"
				NPT 3/4"	NPT 1"	NPT 1-1/4"	NPT 1-1/2"	NPT 2"	NPT 2-1/2"	NPT 2-1/2"	NPT 3"	NPT 3"	NPT 3-1/2"	NPT 4"	
Nipple	35	35	35	45	50	60	80	90	90	120	12	180	240	240	
Lock nut(SIL)	20	20	20 / 25	25 / 45	45 / 50	50 / 60	60 / 85	85 / 100	85 / 100	100 / 120	100 / 120	120 / 140	140 / 160	160	



EU DECLARATION OF CONFORMITY



OSCG CO., Ltd
 (Samrak-Dong), 1242, Nakdong-Daero,
 Sasang-Gu Busan
 Korea



declares under the sole responsibility that the following product:

Product designation:	Cable gland
Type designation:	OS-A2F-U
Approval number:	Presafe 17 ATEX 11454X
Description:	Cable gland for electrical installation
Production Quality Assessment Notification:	Nemko 03ATEX4338Q

corresponds to all the relevant provisions of the directives listed below and valid harmonized and / or international and national standards - including all applicable changes at this time of issuing this document.

Directive	Standard
2014/34/EU Equipment and protective systems intended for use in potentially explosive atmospheres (ATEX)	EN 60079-0:2012 + A11:2013 EN 60079-1:2014 EN 60079-7:2015 EN 60079-31:2014
2014/35/EU Electrical apparatus (Low voltage directive)	EN 62444:2013

Product details:

Marking:	 II 2 G Ex db IIC Gb  II 2 G Ex eb IIC Gb  II 2 D Ex tb IIIC Db
Ambient temperature range:	-60°C ... +110°C

Name and address of importer:	WISKA Hoppmann GmbH Kisdorfer Weg 28 24568 Kaltenkirchen, Germany Fon: +49-4191-508-100 E-mail: contact@wiska.de
-------------------------------	--

2018-11-06, Busan

.....
 Date & place of issue



.....
 Engineering Director
 Signature of Authorized Person
 I.J.Kim

