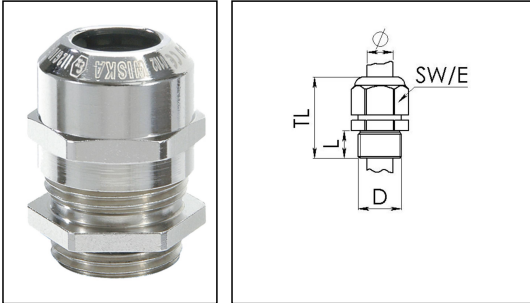


EMSKE 16

Ex-cable gland, brass nickel-plated with short thread, M16



Products may differ in size, colour and appearance to those shown. If you require further information or customisation, please contact us directly.



| | |
|--------------------------|----------------------------|
| Material cable gland | Brass nickel-plated |
| Material clamping cage | Polyamide |
| Material sealing gasket | EPDM |
| Temp. range min | -40 °C |
| Temp. range max | 75 °C |
| Protection class | IP66 / IP68 (5 bar 30 min) |
| Type of protection | Ex eb, Ex tb |
| Ex-Certificate | ATEX, IECEx |
| Thread type | M |
| Ø Connection thread D | 16 |
| Lead | 1,5 |
| Length screw-in thread L | 5 mm |
| Ø cable diameter min | 5 mm |
| Ø cable diameter max | 10 mm |
| Ø cable diameter UL | 6 mm - 8,6 mm |
| Key width SW | 20 mm |
| Collar diameter (E) | 22 mm |
| Total length TL | 26 mm - 34 mm |
| Install. torques fitting | 4 N m |
| Install. torques cap nut | 4 N m |
| Surface | Nickel-plated |
| Order no. nickel-plated | 10065041 |
| Type | EMSKE 16 |
| Packing unit | 50 |
| ETIM-Classification | EC000441 |

Your Contact:

WISKA Hoppmann GmbH

Kisdorfer Weg 28 · 24568 Kaltenkirchen · Germany

☎ +49-4191-508-0 · 📠 +49-4191-508-209

contact@wiska.de · www.wiska.com

Recommended accessories

| | |
|----------------|----------|
| RDE 16 | 10062184 |
| EMMU 16 | 10063142 |
| BS 10 | 10064008 |

14.07.2020

Your Contact:

WISKA Hoppmann GmbH

Kisdorfer Weg 28 · 24568 Kaltenkirchen · Germany

☎ +49-4191-508-0 · 📠 +49-4191-508-209

contact@wiska.de · www.wiska.com



Your Contact:

WISKA Hoppmann GmbH

Kisdorfer Weg 28 · 24568 Kaltenkirchen · Germany

☎ +49-4191-508-0 · 📠 +49-4191-508-209

contact@wiska.de · www.wiska.com