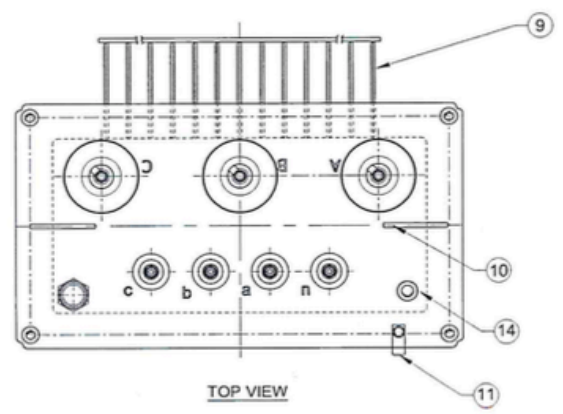
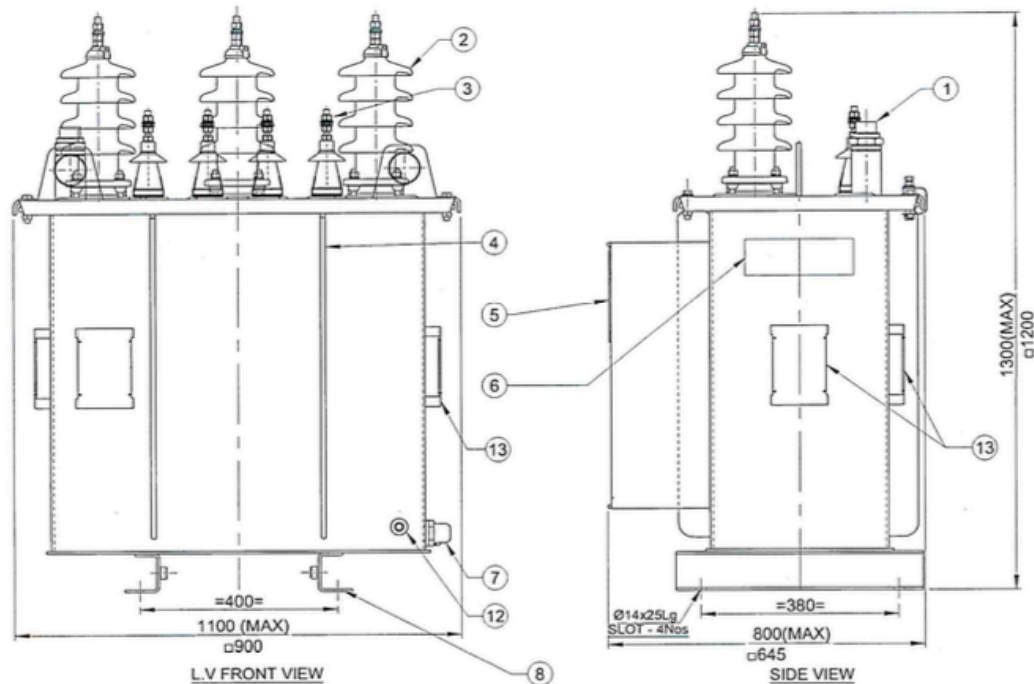


Product design meets OHSAS requirements (Ref: Work instructions DOC No. WIU10/ENG001). ALL DIMENSIONS ARE IN mm & WEIGHTS ARE IN kg UNLESS OTHERWISE SPECIFIED. FORMAT No.: Mech003/R0

ALL INFORMATION CONTAINED IN THIS DOCUMENT IS CONFIDENTIAL AND THE PROPERTY OF TOSHIBA TRANSMISSION & DISTRIBUTION SYSTEMS (INDIA) PVT. LTD. REPRODUCTION OF THIS IN ANY FORM IS TO BE DONE WITH THE SPECIFIC PERMISSION OF THE ORGANISATION.



- NOTE:-**
1. FINISH PAINT SHADE: RAL 7035 (LIGHT GREY).
  2. "□" ACTUAL OVERALL DIMENSIONS & WEIGHTS ARE SUBJECT TO ±10% TOLERANCE, PROVIDED THAT THE TOLERANCE IS NOT EXCEEDED THE MAX.VALUE DEFINED.
  3. THE POSITION, LOCATION, DESIGN OF FITTINGS & ACCESSORIES MAY SLIGHTLY VARY DURING MANUFACTURING.
  4. COMPLETE TRANSFORMER WITHSTANDS LOWER LIMIT OF AMBIENT TEMPERATURE -40°C .
  5. RATING PLATE SHALL BE PROVIDED ONLY ON HV SIDE AND THREE ADDITIONAL RATING PLATE FIXING PROVISIONS ARE PROVIDED.
  6. THIS IS A TENDER DRAWING ONLY.

S.NO	DESCRIPTION	QTY.
14	THERMOMETER POCKET	1
13	RATING PLATE FIXING BRACKETS	3
12	EARTHING TERMINALS	2
11	EARTHING STRIP BETWEEN TANK AND TOP COVER	1
10	LIFTING LUGS FOR LIFTING OF TRANSFORMER	2
9	CORRUGATION PANEL	-
8	BASE CHANNEL FORMED	2
7	OIL DRAINING CUM SAMPLING DEVICE	1
6	NAME OF THE MANUFACTURER (MONOGRAM)	1
5	RATING PLATE	1
4	VERTICAL STIFFENER	-
3	L.V. BUSHINGS(3.6KV/250A)	4
2	H.V BUSHINGS(24KV/250A-P2)	3
1	OIL FILLING PIPE WITH VERTICAL FLOAT OLG	1

TOTAL WEIGHT OF TRANSFORMER (kg)	RATING KVA	VOLTAGE(V)		CURRENT(A)	
		PRIMARY	SECONDARY	PRIMARY	SECONDARY
535	50	20500	410	1.408	70.409

Minimum External Air Clearances	
	HV
Phase to Phase	220
Phase to Earth	220

NO OF PHASES	: 3
COOLING	: ONAN
FREQUENCY	: Hz 50
TEMP.RISE O / W	: 60/65°C
CONNECTION GROUP	: Dyn11
SPECIFICATION	: IEC 60076

REV	ZONE	DATE	MODIFICATION	MODIFIED	CHECKED	APPRD.
				NAME	DATE	

**TOSHIBA**

TOSHIBA TRANSMISSION & DISTRIBUTION SYSTEMS (INDIA) PVT. LTD.  
DISTRIBUTION TRANSFORMERS DIVISION

SCALE: NTS

**OUTLINE GENERAL ARRANGEMENT OF  
50 KVA, 20.5/0.41 kV TRANSFORMER**

PRJ.NO.	ENQ-09898-2
DRG.NO.	3 OG 77897
SHT.NO.1	OF 1 R 0

CUSTOMER : M/s. KKM POWER OY, FINLAND